



Orion

TRACK SPOTLIGHTS | NON-DALI SERIES

Orion is a geometric reflector that features even light distribution and a clean design. With ultra-strong aluminium housing and ultra-performance, Orion is easy to install and fits all available tracks. Rotates through 350° and pivots through 90° for higher flexibility.

Suitable for special color temperatures for food, art, fashion, hospitality (AMB2200) and AGI – Class A.

Available in three housing colors: RAL 9003 - signal white, RAL 9005 - jet black and RAL 9006 - white aluminium.

Orion comes in several series, with various add-on and controls:

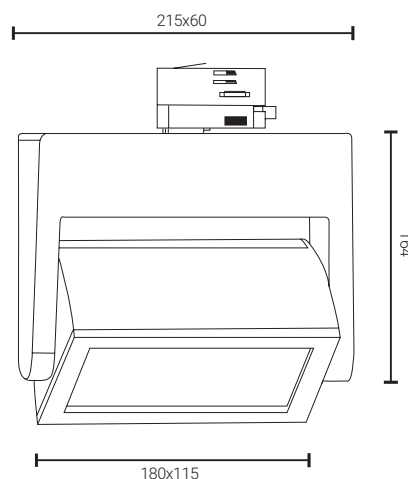
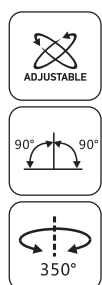
- Orion Non-DALI – the standard for any project in the retail sectors
- Orion ECO - DALI – with DALI controls for dimming

FEATURES & BENEFITS

- CRI 80 as standard, up to 98 for certain special color temperatures
- 15 color temperatures, including specialized options for food, art, fashion, hospitality (AMB2200) and AGI – Class A
- Rotates through 350°, pivots through 90°
- Long rated life: L90/B10@50.000h
- Luminaire efficiency: 110lm/w @4000K

APPLICATION

High End Grocery & Supermarkets | Fashion Retailers | Hospitality | Art & Exhibitions



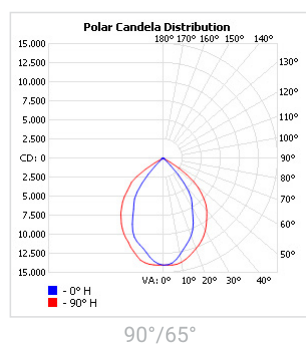
SPECIFICATIONS

Power consumption	14W, 17W, 20W, 23W, 27W, 29W, 34W, 35W, 42W
Dimensions	Ø115x164x215mm±1mm
Weight	2.2Kg
Housing materials	Aluminium, Glass
IK code	IK02
THD (at 230V, 50Hz, Full load)	<20%
Protection class	Safety class 1
Operating temperature [°C]	-20°C ... +45°C / -4F ... +113F
Operating humidity [%]	10 ÷ 85
Power factor	≥0.95
AC Input [Vac]	220 - 240 VAC
Lens angle [°]	90° / 65°
Lifespan [h]	50,000
Housing color	○RAL 9003 - signal white, ●RAL 9005 - jet black, ●RAL 9006 - white aluminium
Lumen maintenance	L90/B10@50.000h at 25°C
IP factor	IP20
Control optional	-
Warranty [years]	5
Storage temperature range [°C]	-20°C ... +55°C / -4F ... +131F
Emergency option	-

#	Standard	Food	Fashion	AGI	Enhanced	ART
CRI	CRI80	CRI80	CRI95	CRI93	CRI95	CRI98
CCT [K]	2700/3000/3500/4000	BVF/FBS/FZM/FSM/FSH	FAS	AGI3000/AGI3500/AGI4000	2700/3000/3500/4000	3000
MacAdam	3	3/4/4/3/3	3	3	2	2

CRI - Color rendering, CCT - Color temperature, MacAdam - Color consistency

LIGHT DISTRIBUTION



TOLERANCES

Luminous flux tolerances: -/+ 5%

Consumption tolerance: -/+ 5% for Non-DALI | -/+ 10% for Non-DALI & KIT EM | -/+ 10% for DALI | -/+ 15% for DALI & KIT EM

BATTERY WARRANTY

Non-DALI EM & DALI EM: 12 months warranty

Non-DALI & DALI: -

MAXIMUM NO. OF LUMINAIRES ON A CIRCUIT

Luminaire Power(W)	Control type	Circuit Breaker Type					
		B			C		
		20	16	10	20	16	10
8-20W	Non-DALI	62	50	31	104	85	52
23-35W	Non-DALI	24	20	10	47	40	20
42W	Non-DALI	20	16	8	38	32	16
8-20W	DALI	62	50	31	104	85	52
23-27W	DALI	18	15	9	31	50	15
34-42W	DALI	17	14	9	34	28	18

RISK GROUP

Standard (CRI80) RG1

FOOD (BVF, FBS, FSM) RG1

FOOD ≤35W (FZM, FSH) RG2 (dthr=1.8m)

FOOD >35W (FZM, FSH) RG2 (dthr=2.2m)

FAS RG1

AMB2200 RG1

ART RG1

AGI RG1

CRI90 RG1

CRI95 RG1

ENT RG1

RG1

The evaluation of photobiological safety is carried out according to the standard IEC 62471:2008 ("Photobiological safety of lamps and lamp systems"). Following the definition of the risk grouping system of the mentioned IEC standard, the LEDs mounted on this family fall into the class "Low Risk (RG1 – No photobiological hazard under normal behavioral limitations)". Under real circumstances (regarding exposure time, pupils, observation distance), it is assumed that there is no endangerment to the eye from these devices. As a matter of principle, however, it should be mentioned that intense light sources have a high secondary exposure potential due to their blinding effect.

RG2

The evaluation of photobiological safety is carried out according to the standard IEC 62471:2008 ("Photobiological safety of lamps and lamp systems"). Following the definition of the risk grouping system of the mentioned IEC standard, the LEDs mounted on this family fall into the class "Moderate Risk (RG2)". Under real circumstances (regarding exposure time, pupils, observation distance), it is assumed that there is no endangerment to the eye from these devices. As a matter of principle, however, it should be mentioned that intense light sources have a high secondary exposure potential due to their blinding effect.

SKU SPECIFICATIONS

Product Code	Dimensions (mm)	CCT (K)	Lumens (lm)	Power (W)	Eff. (lm/watt)	Lens Angle (°)
CRI 80						
192012 OrionL S32019/2700/14W/80	Ø115x164x215mm±1mm	2700	1440	14W	103	95°/65°
192013 OrionL S32019/3000/14W/80	Ø115x164x215mm±1mm	3000	1455	14W	104	95°/65°
192014 OrionL S32019/3500/14W/80	Ø115x164x215mm±1mm	3500	1495	14W	107	95°/65°
192015 OrionL S32019/4000/14W/80	Ø115x164x215mm±1mm	4000	1525	14W	109	95°/65°
192016 OrionL S32019/2700/20W/80	Ø115x164x215mm±1mm	2700	2010	20W	101	95°/65°
192017 OrionL S32019/3000/20W/80	Ø115x164x215mm±1mm	3000	2025	20W	102	95°/65°
192018 OrionL S32019/3500/20W/80	Ø115x164x215mm±1mm	3500	2080	20W	104	95°/65°
192019 OrionL S32019/4000/20W/80	Ø115x164x215mm±1mm	4000	2120	20W	106	95°/65°
192020 OrionL S32019/2700/27W/80	Ø115x164x215mm±1mm	2700	2805	27W	104	95°/65°
192021 OrionL S32019/3000/27W/80	Ø115x164x215mm±1mm	3000	2830	27W	105	95°/65°
192022 OrionL S32019/3500/27W/80	Ø115x164x215mm±1mm	3500	2905	27W	108	95°/65°
192023 OrionL S32019/4000/27W/80	Ø115x164x215mm±1mm	4000	2965	27W	110	95°/65°
192024 OrionL S32019/2700/35W/80	Ø115x164x215mm±1mm	2700	3425	35W	98	95°/65°
192025 OrionL S32019/3000/35W/80	Ø115x164x215mm±1mm	3000	3455	35W	99	95°/65°
192026 OrionL S32019/3500/35W/80	Ø115x164x215mm±1mm	3500	3545	35W	102	95°/65°
192027 OrionL S32019/4000/35W/80	Ø115x164x215mm±1mm	4000	3620	35W	104	95°/65°
192028 OrionL S32019/2700/42W/80	Ø115x164x215mm±1mm	2700	3830	42W	92	95°/65°
192029 OrionL S32019/3000/42W/80	Ø115x164x215mm±1mm	3000	3865	42W	93	95°/65°
192030 OrionL S32019/3500/42W/80	Ø115x164x215mm±1mm	3500	3970	42W	95	95°/65°
192031 OrionL S32019/4000/42W/80	Ø115x164x215mm±1mm	4000	4050	42W	97	95°/65°
192047 OrionL S32019/BVF/14W/80	Ø115x164x215mm±1mm	BVF	1225	14W	88	95°/65°
192048 OrionL S32019/FBS/14W/80	Ø115x164x215mm±1mm	FBS	830	14W	60	95°/65°
192049 OrionL S32019/FZM/14W/80	Ø115x164x215mm±1mm	FZM	800	14W	58	95°/65°
192050 OrionL S32019/FSM/14W/80	Ø115x164x215mm±1mm	FSM	830	14W	60	95°/65°
192051 OrionL S32019/FSH/14W/80	Ø115x164x215mm±1mm	FSH	1180	14W	85	95°/65°
192052 OrionL S32019/BVF/20W/80	Ø115x164x215mm±1mm	BVF	1675	20W	84	95°/65°
192053 OrionL S32019/FBS/20W/80	Ø115x164x215mm±1mm	FBS	1155	20W	58	95°/65°
192054 OrionL S32019/FZM/20W/80	Ø115x164x215mm±1mm	FZM	1105	20W	56	95°/65°
192055 OrionL S32019/FSM/20W/80	Ø115x164x215mm±1mm	FSM	1130	20W	57	95°/65°
192056 OrionL S32019/FSH/20W/80	Ø115x164x215mm±1mm	FSH	1640	20W	82	95°/65°
192057 OrionL S32019/BVF/27W/80	Ø115x164x215mm±1mm	BVF	2440	27W	91	95°/65°
192058 OrionL S32019/FBS/27W/80	Ø115x164x215mm±1mm	FBS	1625	27W	61	95°/65°
192059 OrionL S32019/FZM/27W/80	Ø115x164x215mm±1mm	FZM	1655	27W	62	95°/65°
192060 OrionL S32019/FSM/27W/80	Ø115x164x215mm±1mm	FSM	1630	27W	61	95°/65°
192061 OrionL S32019/FSH/27W/80	Ø115x164x215mm±1mm	FSH	2470	27W	92	95°/65°
192062 OrionL S32019/BVF/35W/80	Ø115x164x215mm±1mm	BVF	3015	35W	87	95°/65°
192063 OrionL S32019/FBS/35W/80	Ø115x164x215mm±1mm	FBS	2000	35W	58	95°/65°
192064 OrionL S32019/FZM/35W/80	Ø115x164x215mm±1mm	FZM	2035	35W	59	95°/65°
192065 OrionL S32019/FSM/35W/80	Ø115x164x215mm±1mm	FSM	2005	35W	58	95°/65°
192066 OrionL S32019/FSH/35W/80	Ø115x164x215mm±1mm	FSH	3045	35W	87	95°/65°
192067 OrionL S32019/BVF/42W/80	Ø115x164x215mm±1mm	BVF	3325	42W	80	95°/65°
192068 OrionL S32019/FBS/42W/80	Ø115x164x215mm±1mm	FBS	2220	42W	53	95°/65°
192069 OrionL S32019/FZM/42W/80	Ø115x164x215mm±1mm	FZM	2275	42W	55	95°/65°
192070 OrionL S32019/FSM/42W/80	Ø115x164x215mm±1mm	FSM	2285	42W	55	95°/65°
192071 OrionL S32019/FSH/42W/80	Ø115x164x215mm±1mm	FSH	3400	42W	81	95°/65°
192075 OrionL S32019/AMB2200/14W/80	Ø115x164x215mm±1mm	AMB2200	1020	14W	73	95°/65°
192076 OrionL S32019/AMB2200/20W/80	Ø115x164x215mm±1mm	AMB2200	1410	20W	71	95°/65°
192077 OrionL S32019/AMB2200/27W/80	Ø115x164x215mm±1mm	AMB2200	1870	27W	70	95°/65°
192078 OrionL S32019/AMB2200/35W/80	Ø115x164x215mm±1mm	AMB2200	2585	35W	74	95°/65°
192079 OrionL S32019/AMB2200/42W/80	Ø115x164x215mm±1mm	AMB2200	2930	42W	70	95°/65°

SKU SPECIFICATIONS

Product Code	Dimensions (mm)	CCT (K)	Lumens (lm)	Power (W)	Eff. (lm/watt)	Lens Angle (°)
CRI 93						
192105 OrionL S32019/AGI3000/17W/93	Ø115x164x215mm±1mm	AGI3000	985	17W	58	95°/65°
192106 OrionL S32019/AGI3500/17W/93	Ø115x164x215mm±1mm	AGI3500	1050	17W	62	95°/65°
192107 OrionL S32019/AGI4000/17W/93	Ø115x164x215mm±1mm	AGI4000	1115	17W	66	95°/65°
192108 OrionL S32019/AGI3000/23W/93	Ø115x164x215mm±1mm	AGI3000	1330	23W	58	95°/65°
192109 OrionL S32019/AGI3500/23W/93	Ø115x164x215mm±1mm	AGI3500	1440	23W	63	95°/65°
192110 OrionL S32019/AGI4000/23W/93	Ø115x164x215mm±1mm	AGI4000	1550	23W	68	95°/65°
192111 OrionL S32019/AGI3000/29W/93	Ø115x164x215mm±1mm	AGI3000	1680	29W	58	95°/65°
192112 OrionL S32019/AGI3500/29W/93	Ø115x164x215mm±1mm	AGI3500	1820	29W	63	95°/65°
192113 OrionL S32019/AGI4000/29W/93	Ø115x164x215mm±1mm	AGI4000	1960	29W	68	95°/65°
192114 OrionL S32019/AGI3000/34W/93	Ø115x164x215mm±1mm	AGI3000	1900	34W	56	95°/65°
192115 OrionL S32019/AGI3500/34W/93	Ø115x164x215mm±1mm	AGI3500	1995	34W	59	95°/65°
192116 OrionL S32019/AGI4000/34W/93	Ø115x164x215mm±1mm	AGI4000	2095	34W	62	95°/65°
CRI 95						
192083 OrionL S32019/FAS/14W/95	Ø115x164x215mm±1mm	FAS	1165	14W	84	95°/65°
192084 OrionL S32019/FAS/20W/95	Ø115x164x215mm±1mm	FAS	1610	20W	81	95°/65°
192085 OrionL S32019/FAS/27W/95	Ø115x164x215mm±1mm	FAS	2335	27W	87	95°/65°
192086 OrionL S32019/FAS/35W/95	Ø115x164x215mm±1mm	FAS	2875	35W	83	95°/65°
192087 OrionL S32019/FAS/42W/95	Ø115x164x215mm±1mm	FAS	3210	42W	77	95°/65°
CRI 98						
192091 OrionL S32019/ART3000/14W/98	Ø115x164x215mm±1mm	ART3000	1160	14W	83	95°/65°
192092 OrionL S32019/ART3000/20W/98	Ø115x164x215mm±1mm	ART3000	1600	20W	80	95°/65°
192093 OrionL S32019/ART3000/27W/98	Ø115x164x215mm±1mm	ART3000	2155	27W	80	95°/65°
192094 OrionL S32019/ART3000/35W/98	Ø115x164x215mm±1mm	ART3000	2650	35W	76	95°/65°
192095 OrionL S32019/ART3000/42W/98	Ø115x164x215mm±1mm	ART3000	2945	42W	71	95°/65°