

## Installation guide - Montageanleitung Guide d'installation - Ghid de instalare

### **Lanka N IL - Trunking System**

Non-DALI Series / DALI Series / Non-DALI EM Series / DALI EM Series



## ATTENTION / ACHTUNG / ATTENTION / ATENȚIE

### EN Installation guide

---

1. Turn power off before inspection, installation or removal.
2. Properly ground electrical enclosure.
3. Follow all IEC and local building codes.
4. Do not operate luminaire with damaged parts.
5. Please see technical data sheet for electrical properties to ensure safe installation.
6. The grounding and bonding of the overall system shall be done in accordance to local electric code of the country where the luminaire is installed.
7. For indoor use, only.
8. Installation should be performed by a qualified electrician in compliance with these instructions and applicable standards.
9. Do not cover the front or rear of the luminaire.

### DE Montageanleitung

---

1. Schalten Sie die Stromversorgung vor der Überprüfung, Montage oder Demontage aus.
2. Stellen Sie sicher, dass die elektrische Verbindung ordnungsgemäß geerdet ist.
3. Befolgen Sie die IEC-Norm und alle lokalen Bauvorschriften.
4. Betreiben Sie die Leuchte nicht mit beschädigten Teilen.
5. Informationen zu elektrischen Eigenschaften finden Sie im technischen Datenblatt, um eine sichere Montage zu gewährleisten.
6. Der Erdanschluss und Verbindung des Gesamtsystems muss gemäß den lokalen Vorschriften in dem Land, in dem die Leuchte montiert wird, erfolgen.
7. Nur für den Innenbereich.
8. Die Montage sollte von einem qualifizierten Elektriker gemäß den vorliegenden Anleitungen und geltenden Normen durchgeführt werden.
9. Decken Sie nicht die Vorder- oder Rückseite der Leuchte ab.

### FR Guide d'installation

---

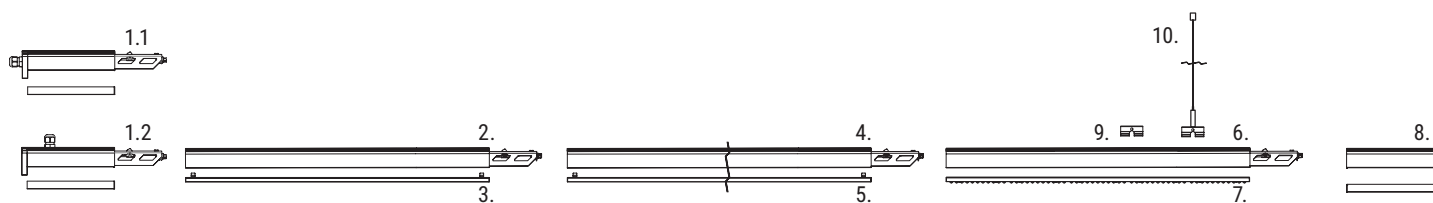
1. Coupez l'alimentation avant l'inspection, l'installation ou la désinstallation.
2. Reliez correctement le boîtier électrique à la terre.
3. Respectez toutes les normes IEC et locales en vigueur.
4. Ne faites pas fonctionner le luminaire si l'un de ses composants est endommagé.
5. Veuillez consulter la fiche des caractéristiques techniques pour les propriétés électriques afin d'assurer une installation sécuritaire.
6. La mise à la masse et la mise en continuité du système complet doivent être réalisées conformément au code local de l'électricité du pays où le luminaire est installé.
7. Réservez à l'utilisation en intérieur.
8. Il est conseillé de confier l'installation à un électricien qualifié qui devra se conformer aux instructions et aux normes concernant les installations.
9. Ne pas couvrir l'avant ou l'arrière du luminaire.

### RO Ghid de instalare

---

1. Opriti alimentarea cu energie electrică înainte de a efectua orice operație de verificare, instalare sau dezinstalare.
2. Efectuați corect conexiunea la nulul de protecție al instalației electrice.
3. Respectați directiva IEC și toate directivele locale.
4. Nu folosiți corpul de iluminat dacă prezintă componente deteriorate.
5. Pentru a asigura instalarea în siguranță, consultați fișa tehnică cu proprietățile instalației electrice.
6. Legarea la nulul de protecție și conectarea întregului sistem trebuie efectuate conform normelor locale privind instalațiile electrice din țara în care se montează corpul de iluminat.
7. Doar pentru uz interior.
8. Instalarea trebuie realizată de către un electrician calificat, în concordanță cu instrucțiunile și standardele aplicabile.
9. Nu acoperiți partea din față sau din spate a corpului de iluminat.

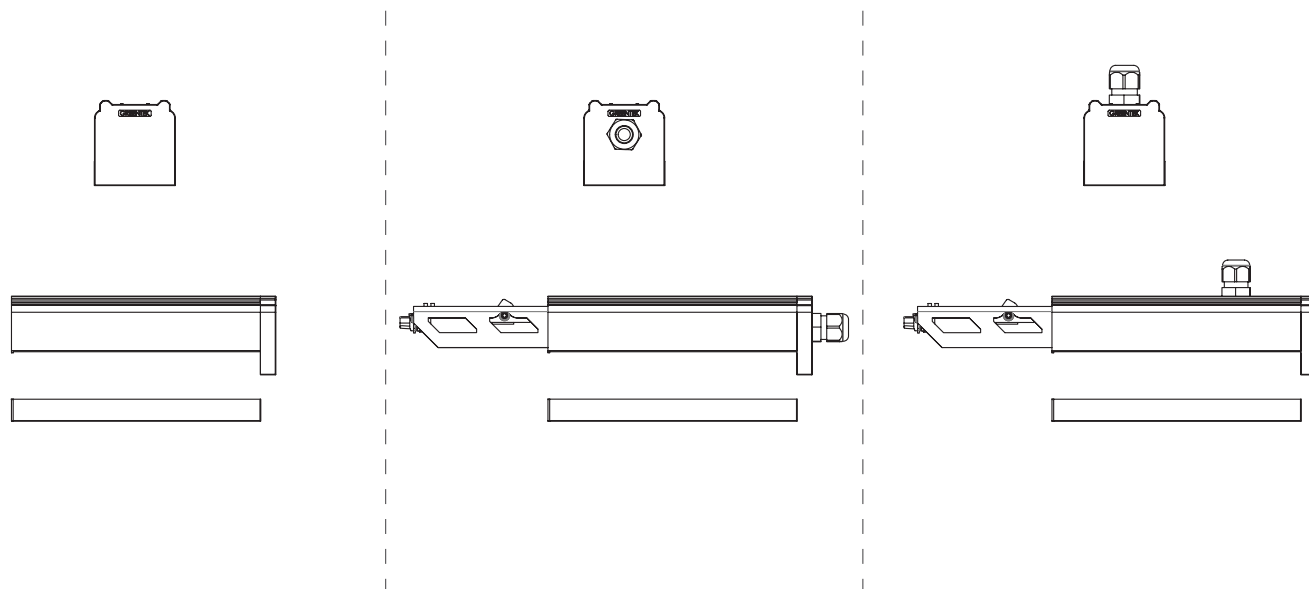
1.



- 1.1 Power end cap (Product codes\* : 17322 GT1/TK/PEC/S/5P, 17324 GT1/TK/PEC/S/7P)
- 1.2 Power end cap (Product codes\* : 17321 GT1/TK/PEC/U/5P, 17323 GT1/TK/PEC/U/7P)
- 2. Upper profile 1500mm (Product codes\* : 17301 UPL/IL/TK/1500/5P, 17302 UPL/IL/TK/1500/7P)
- 3. Blank lower profile (Product code\* : 17337 GT1/TK/BLP/1500)
- 4. Upper profile 3000mm (Product codes\* : 17303 UPL/IL/TK/3000/5P, 17304 UPL/IL/TK/3000/7P)
- 5. Blank lower profile (Product code\* : 17338 GT1/TK/BLP/3000 )
- 6. Upper profile (Product codes\* : 17301 UPL/IL/TK/1500/5P, 17302 UPL/IL/TK/1500/7P)
- 7. Lanka lower profiles (Product codes\* : 173000 ... 173299, 273000 ... 273299)
- 8. End cap (Product code\* : 17320 GT1/TK/DEC/0P)
- 9. Clamp (Product code\* : 17329 GT1/TK/CM/0M)
- 10. Suspension kit (Product code\* : 17330 GT1/TK/WM/3M, 17331 GT1/TK/WM/5M, 17332 GT1/TK/WM/7M, 17333 GT1/TK/WM/10M)

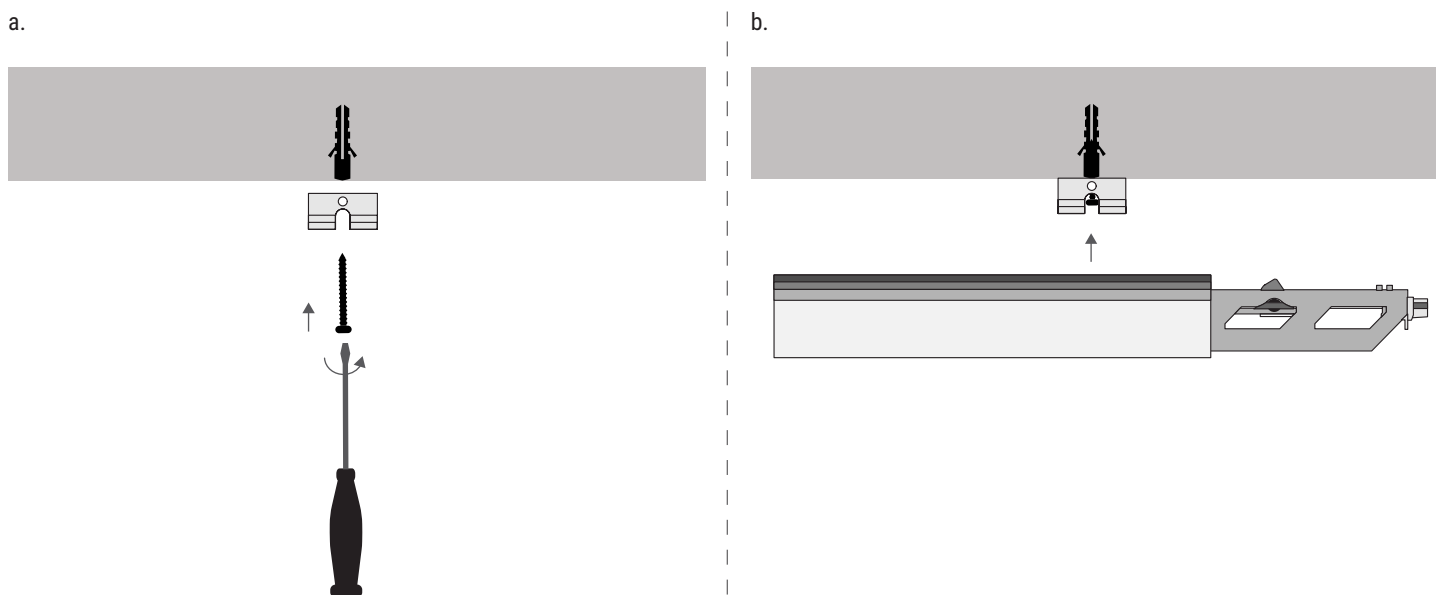
\*for product specifications consult datasheet

2.



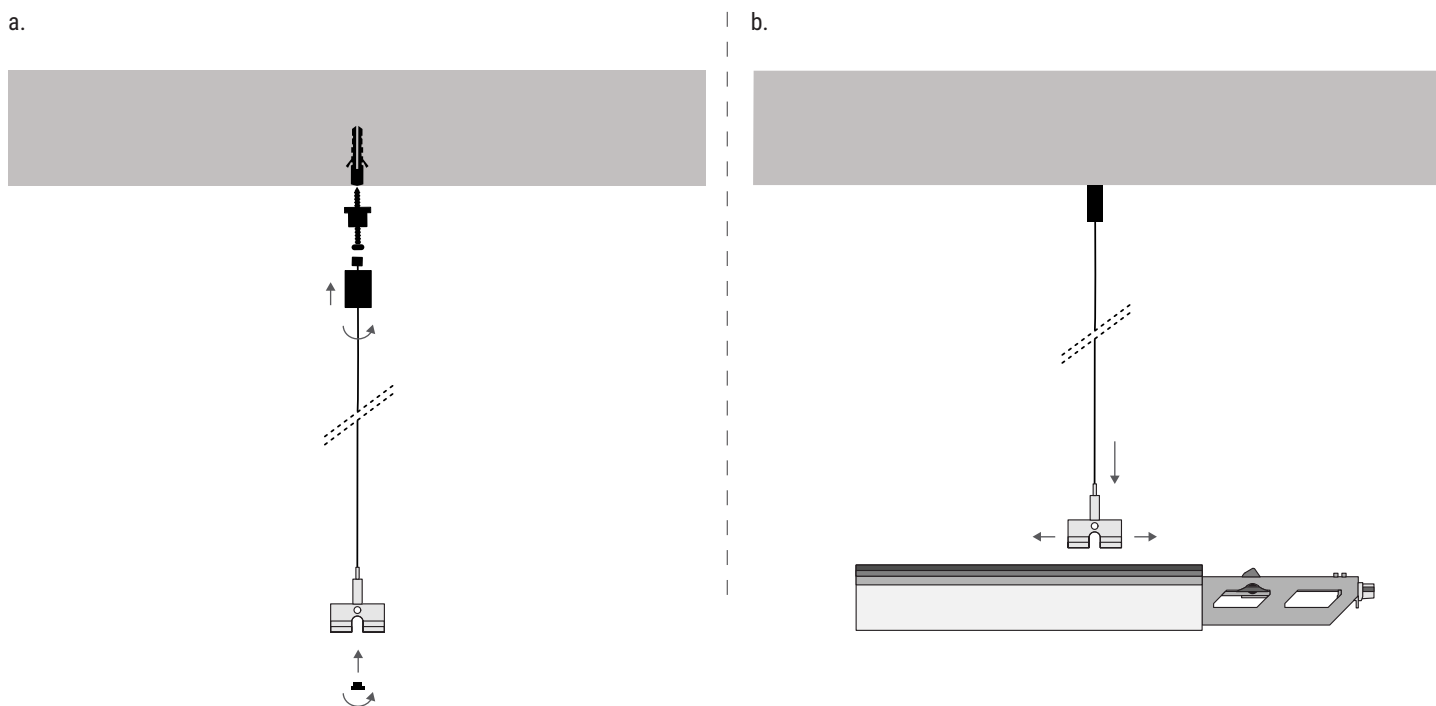
All lower blank profiles (including those from PEC and DEC) and luminaires must be dismantled from the upper profile (including PEC and DEC) before assembly and mounting process starts. All lower blank profiles (including those from PEC and DEC) and luminaires must be mounted on the upper profile after its assembly has finished.

### 3. Surface Mounting



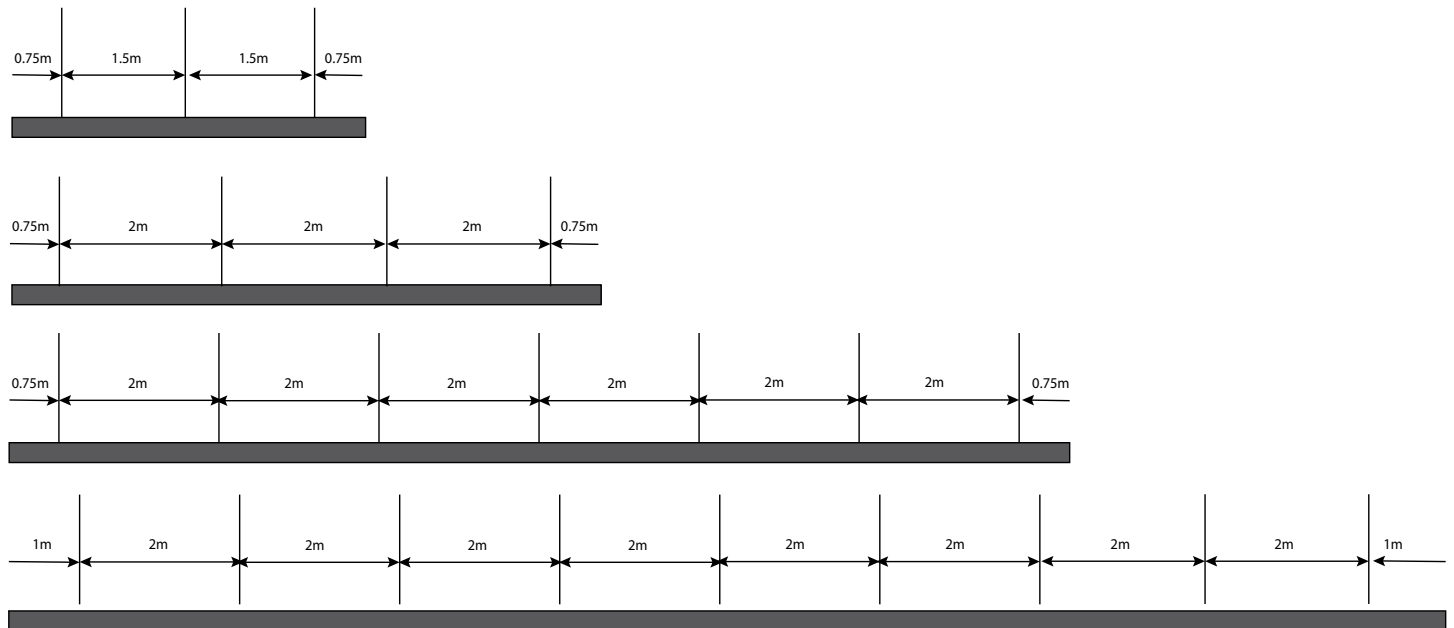
- a. Fit the clamp on the ceiling.
- b. The mounting will be made by pushing the the superior profile into the clamp.

### 4. Suspended Mounting

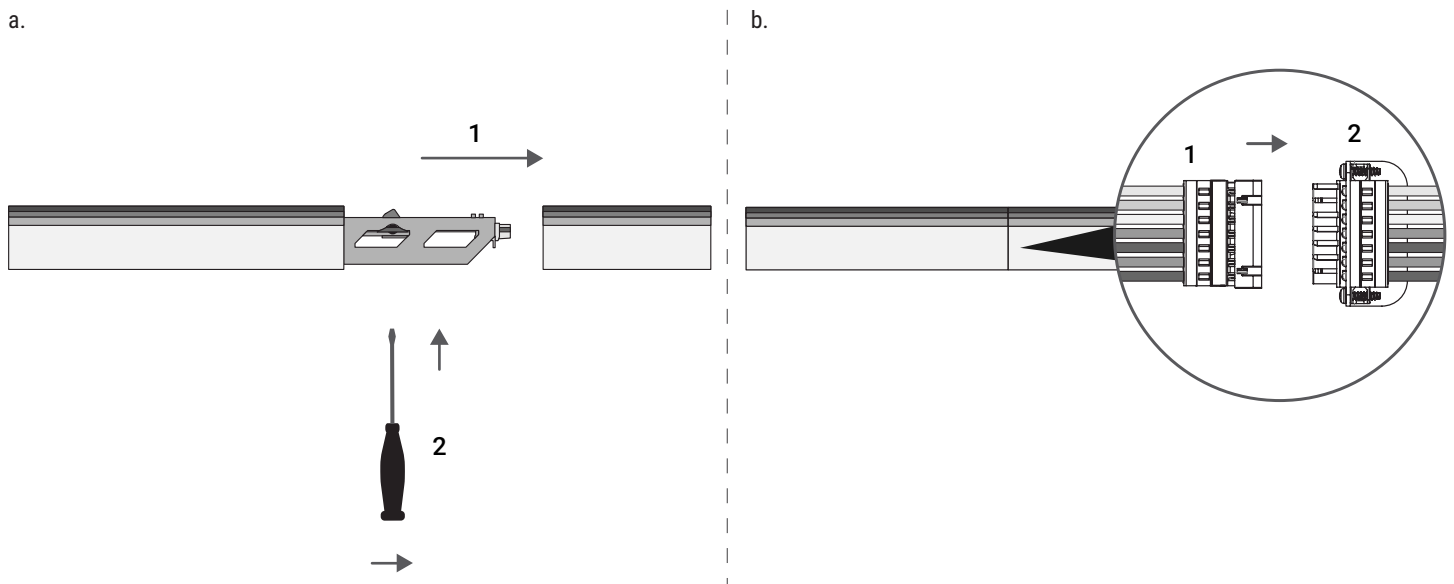


- a. Fit the suspended kit on the ceiling and then the suspension clamp on wire.
- b. Fit the suspension clamp by snapping it on the superior profile. The suspension clamp can be slid for final positioning.

**5. An Example of rows with lengths of: 4.5m / 7.5m / 13.5m / 18m**

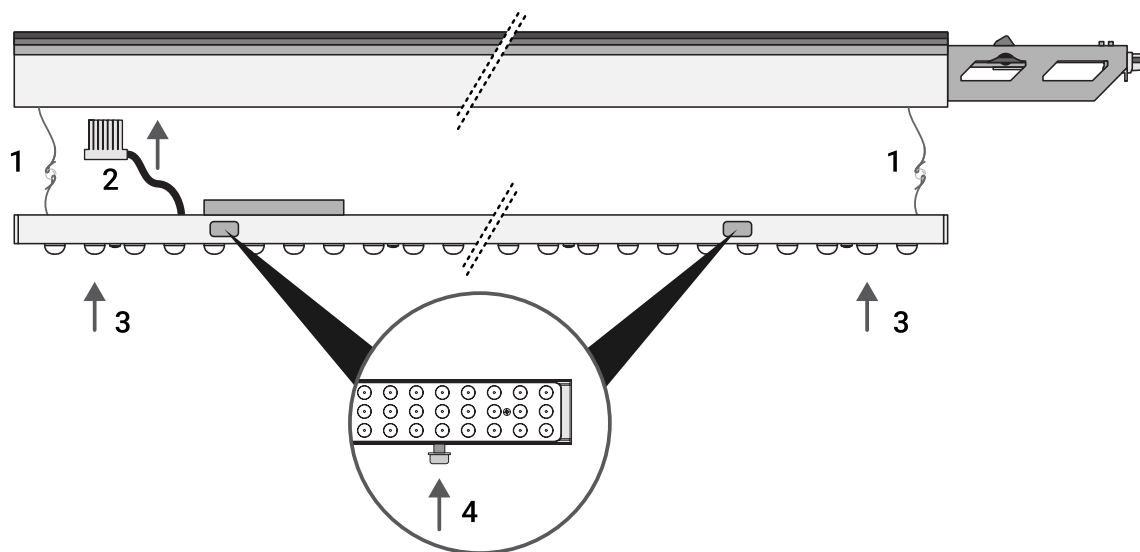


**6.**



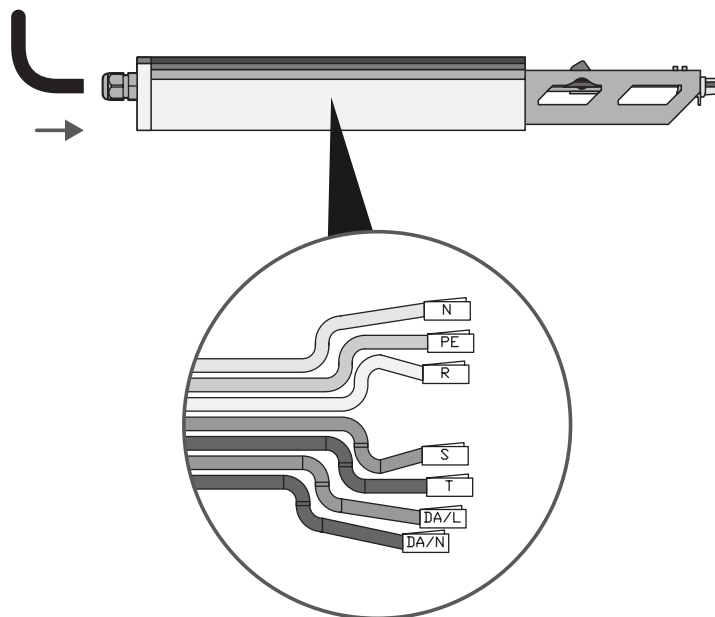
- a. After the connection of the two elements has been realised as shown above (1), the safety element must be acted upon for ensuring a secure fixing of the ensemble (2).
- b. The electrical connection between upper profiles consists of two connectors: loose connector (1) and fixed connector (2). Ensure that a firm connection is made.

7.



Fasten the safety wires (1) from the inferior profile with the superior profile ones, insert the power plug (2) in the fixed connector on the superior profile (for ease of installation make sure that the cable attached to the power plug (2) has an „S” shape). Join the profiles together (3) (with the mechanical key (4) in the open position), then secure the profiles together using the mechanical key (4).

8.



**Important notice**

Power supply connections from the grid will be done by observing the notations on each connector.