



## Linera 1

### RECESSED DOWNLIGHTS | DALI SERIES

Linera 1 is our recessed linear solution suitable for precise accent lighting. Linera 1 is specially designed for modern stores, showrooms, and art galleries that need to be free of a visible light source. Mounting is easy to perform, without tools, using torsion springs.

Linera 1 has particular technical specifications, determined by various add-on and controls:

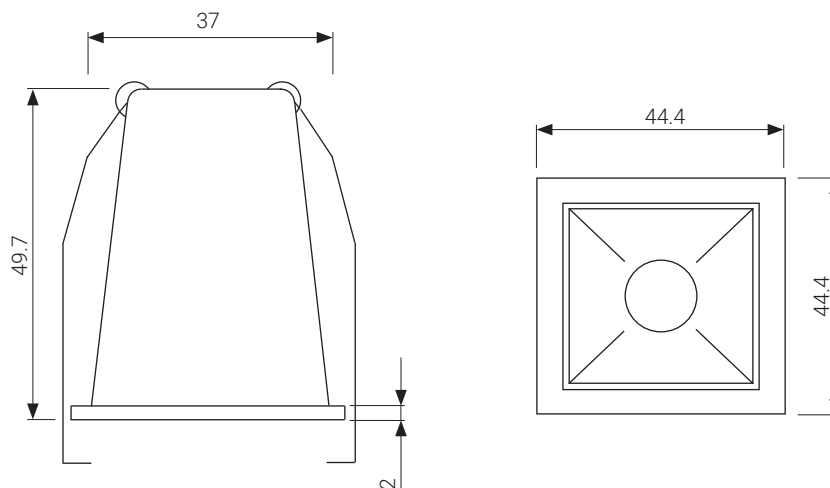
- Linera 1 Non-DALI – the standard for retail spaces
- Linera 1 DALI – with DALI controls for illumination adjustments

### FEATURES & BENEFITS

- CRI 90
- 4 color temperatures: 2700K, 3000K, 3500K, 4000K
- Great variety of optics: 15°, 30°, 45°
- Luminaire efficiency: 165lm@4000K
- Dimmable

### APPLICATION

Grocery & Supermarkets | Retail | Office | Healthcare | Hospitality | DIY



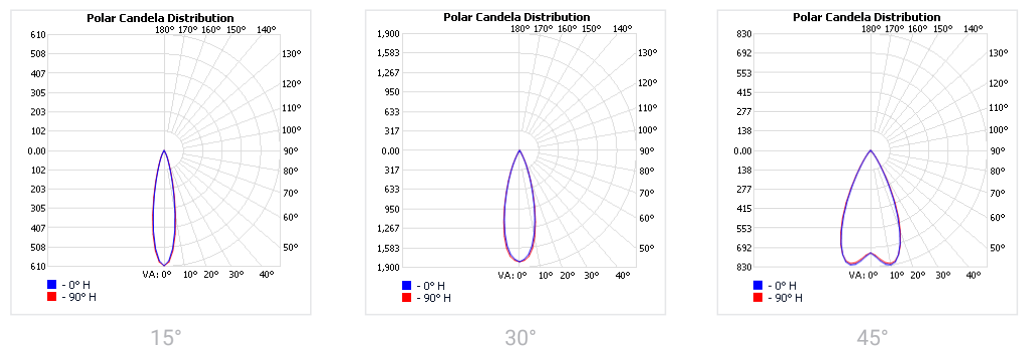
**SPECIFICATIONS**

Power consumption	3W
Dimensions	49.7 x 44 x 44 ± 1mm
Weight	0.181 Kg
Housing materials	Aluminium, Polycarbonate
IK code	IK02
THD	≤15%
Protection class	Safety class 1
Operating temperature [°C]	-20°C ... +45°C / -4F ... +113F
Operating humidity [%]	10 ÷ 85
Power factor	0.96
AC Input [Vac]	220 - 240 VAC
Lens angle [°]	15°, 30°, 45°
Lifespan [h]	50,000
Housing color	○ RAL 9003 - Signal White, ● RAL 9005 - Jet Black
Lumen maintenance	L90/B10@50,000h at 25°C
IP factor	IP20
Control optional	DALI
Warranty [years]	5
Storage temperature range [°C]	-10°C ... +55°C / +14F ... +131F
Emergency option	-

#	Standard
CRI	CRI90
CCT [K]	2700 / 3000 / 3500 / 4000
MacAdam	3

CRI - Color rendering, CCT - Color temperature, MacAdam - Color consistency

**LIGHT DISTRIBUTION**



**TOLERANCES**

**Luminous flux tolerances:** -/+ 5%

**Consumption tolerance:** -/+ 5% for Non-DALI | -/+ 10% for Non-DALI & KIT EM | -/+ 10% for DALI | -/+ 15% for DALI & KIT EM

**BATTERY WARRANTY**

**Non-DALI EM & DALI EM:** 12 months warranty

**Non-DALI & DALI:** -

**MAXIMUM NO. OF LUMINAIRES ON A CIRCUIT**

Luminaire Power(W)	Control type	Circuit Breaker Type
		B
		16
3W	Non-DALI	27
3W	DALI	50

**RISK GROUP**

<b>Standard (CRI80)</b>	RG1
<b>FOOD (BVF, FBS, FSM)</b>	RG1
<b>FOOD ≤35W (FZM, FSH)</b>	RG1
<b>FOOD &gt;35W (FZM, FSH)</b>	RG2
<b>FAS</b>	RG1
<b>AMB2200</b>	RG1
<b>ART</b>	RG1
<b>AGI</b>	RG1
<b>CRI90</b>	RG1
<b>CRI95</b>	RG1
<b>ENT</b>	RG1

**RG1**

The evaluation of photobiological safety is carried out according to the standard IEC 62471:2008 ("Photobiological safety of lamps and lamp systems"). Following the definition of the risk grouping system of the mentioned IEC standard, the LEDs mounted on this family fall into the class "Low Risk (RG1 – No photobiological hazard under normal behavioral limitations)". Under real circumstances (regarding exposure time, pupils, observation distance), it is assumed that there is no endangerment to the eye from these devices. As a matter of principle, however, it should be mentioned that intense light sources have a high secondary exposure potential due to their blinding effect.

**RG2**

The evaluation of photobiological safety is carried out according to the standard IEC 62471:2008 ("Photobiological safety of lamps and lamp systems"). Following the definition of the risk grouping system of the mentioned IEC standard, the LEDs mounted on this family fall into the class "Moderate Risk (RG2)". Under real circumstances (regarding exposure time, pupils, observation distance), it is assumed that there is no endangerment to the eye from these devices. As a matter of principle, however, it should be mentioned that intense light sources have a high secondary exposure potential due to their blinding effect.

## SKU SPECIFICATIONS

Product Code	Dimensions (mm)	CCT (K)	Lumens (lm)	Power (W)	Eff. (lm/watt)	Lens Angle (°)
<b>CRI 90</b>						
288600 Linera1 S3-4833/3000/3W/90/A15/B	49.7 x 44 x 44 ± 1mm	3000	120	3W	40	15°
288601 Linera1 S3-4833/4000/3W/90/A15/B	49.7 x 44 x 44 ± 1mm	4000	165	3W	55	15°
288602 Linera1 S3-4833/3000/3W/90/A30/B	49.7 x 44 x 44 ± 1mm	3000	120	3W	40	30°
288603 Linera1 S3-4833/4000/3W/90/A30/B	49.7 x 44 x 44 ± 1mm	4000	165	3W	55	30°
288604 Linera1 S3-4833/3000/3W/90/A45/B	49.7 x 44 x 44 ± 1mm	3000	120	3W	40	45°
288605 Linera1 S3-4833/4000/3W/90/A45/B	49.7 x 44 x 44 ± 1mm	4000	165	3W	55	45°
288606 Linera1 S3-4833/3000/3W/90/A15/W	49.7 x 44 x 44 ± 1mm	3000	120	3W	40	15°
288607 Linera1 S3-4833/4000/3W/90/A15/W	49.7 x 44 x 44 ± 1mm	4000	165	3W	55	15°
288608 Linera1 S3-4833/3000/3W/90/A30/W	49.7 x 44 x 44 ± 1mm	3000	120	3W	40	30°
288609 Linera1 S3-4833/4000/3W/90/A30/W	49.7 x 44 x 44 ± 1mm	4000	165	3W	55	30°
288610 Linera1 S3-4833/3000/3W/90/A45/W	49.7 x 44 x 44 ± 1mm	3000	120	3W	40	45°
288611 Linera1 S3-4833/4000/3W/90/A45/W	49.7 x 44 x 44 ± 1mm	4000	165	3W	55	45°
288612 Linera1 S3-4833/2700/3W/90/A15/B	49.7 x 44 x 44 ± 1mm	2700	110	3W	37	15°
288613 Linera1 S3-4833/3500/3W/90/A15/B	49.7 x 44 x 44 ± 1mm	3500	145	3W	48	15°
288614 Linera1 S3-4833/2700/3W/90/A30/B	49.7 x 44 x 44 ± 1mm	2700	110	3W	37	30°
288615 Linera1 S3-4833/3500/3W/90/A30/B	49.7 x 44 x 44 ± 1mm	3500	145	3W	48	30°
288616 Linera1 S3-4833/2700/3W/90/A45/B	49.7 x 44 x 44 ± 1mm	2700	110	3W	37	45°
288617 Linera1 S3-4833/3500/3W/90/A45/B	49.7 x 44 x 44 ± 1mm	3500	145	3W	48	45°
288618 Linera1 S3-4833/2700/3W/90/A15/W	49.7 x 44 x 44 ± 1mm	2700	110	3W	37	15°
288619 Linera1 S3-4833/3500/3W/90/A15/W	49.7 x 44 x 44 ± 1mm	3500	145	3W	48	15°
288620 Linera1 S3-4833/2700/3W/90/A30/W	49.7 x 44 x 44 ± 1mm	2700	110	3W	37	30°
288621 Linera1 S3-4833/3500/3W/90/A30/W	49.7 x 44 x 44 ± 1mm	3500	145	3W	48	30°
288622 Linera1 S3-4833/2700/3W/90/A45/W	49.7 x 44 x 44 ± 1mm	2700	110	3W	37	45°
288623 Linera1 S3-4833/3500/3W/90/A45/W	49.7 x 44 x 44 ± 1mm	3500	145	3W	48	45°