



Zephyr Sphere 300

360° LIGHTING | DALI SERIES

• Zephyr 300 Sphere is a contemporary pendant light characterized by its sleek, spherical design. The globe-shaped diffuser emits a soft, ambient glow, which evenly distributes light in all directions and attracts a relaxed gaze towards the light source.

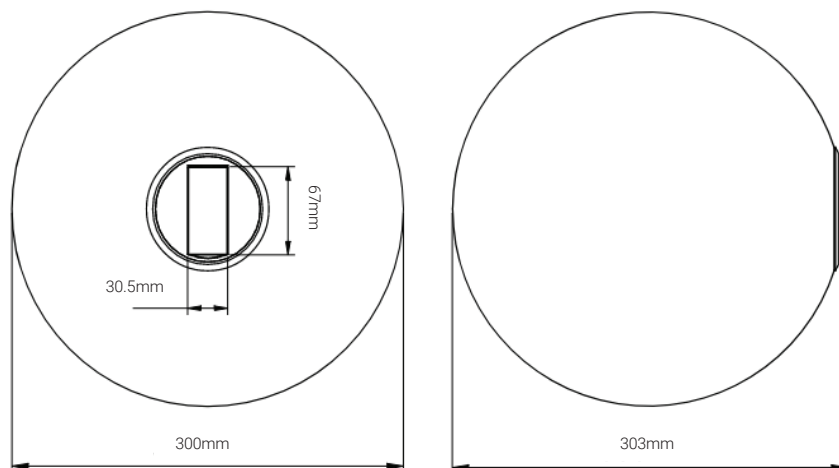
• The pendant is suspended by a stylish, fabric-covered cord, adding a touch of modern elegance and complementing various interior styles. Its minimalistic yet sophisticated design makes it suitable for a wide range of applications. This versatile luminaire is perfect for both commercial and residential settings, offering a blend of functionality and aesthetic appeal.

FEATURES & BENEFITS

- Lumen maintenance L90/B10@50.000h at 25°C
- IP45
- 5 years warranty
- CRI90 as standard
- Efficiency@4000K - 65 lm/W

APPLICATION

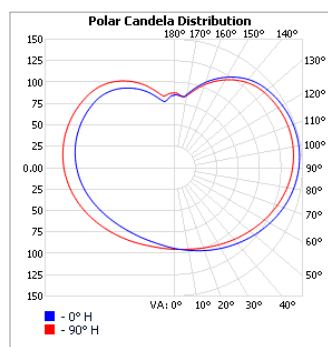
Grocery & Supermarkets | Retail | Office | Healthcare | Hospitality | DIY | Home



SPECIFICATIONS

Power consumption	20W
Dimensions	Ø300 x 303 ±1mm
Housing materials	Aluminium, Glass
IK code	IK07
THD (at 230V, 50Hz, Full load)	-
Protection class	Safety class 1
Operating temperature [°C]	-20C...+45C/-4F...+113F
Operating humidity [%]	10 ÷ 85
Power factor	-
DC Input [Vdc]	24 Vdc
Lens angle [°]	313°
Lifespan [h]	50000h
Housing color	● Black NCS 9000-N ● Terra red NCS S 4040-Y70R ● Green NCS S 6005-G80Y ● White NCS 0502-G
Lumen maintenance	L90/B10@50.000h at 25°C
IP factor	IP45
Control optional	-
Warranty [years]	5
Storage temperature range [°C]	-20 ÷ +55

LIGHT DISTRIBUTION



SKU SPECIFICATIONS

Product Code	Dimensions (mm)	CCT (K)	Lumens (lm)	Power (W)	Eff. (lm/watt)	Lens Angle (°)
CRI90						
1G6024 Zephyr Sphere 300/2700/20W/90/B	Ø300±1mm	2700	1300	20W	65	A313
1G6025 Zephyr Sphere 300/2700/20W/90/R	Ø300±1mm	2700	1300	20W	65	A313
1G6026 Zephyr Sphere 300/2700/20W/90/GN	Ø300±1mm	2700	1300	20W	65	A313
1G6027 Zephyr Sphere 300/2700/20W/90/W	Ø300±1mm	2700	1300	20W	65	A313
1G6028 Zephyr Sphere 300/3000/20W/90/B	Ø300±1mm	3000	1300	20W	65	A313
1G6029 Zephyr Sphere 300/3000/20W/90/R	Ø300±1mm	3000	1300	20W	65	A313
1G6030 Zephyr Sphere 300/3000/20W/90/GN	Ø300±1mm	3000	1300	20W	65	A313
1G6031 Zephyr Sphere 300/3000/20W/90/W	Ø300±1mm	3000	1300	20W	65	A313
1G6032 Zephyr Sphere 300/4000/20W/90/B	Ø300±1mm	4000	1300	20W	65	A313
1G6033 Zephyr Sphere 300/4000/20W/90/R	Ø300±1mm	4000	1300	20W	65	A313
1G6034 Zephyr Sphere 300/4000/20W/90/GN	Ø300±1mm	4000	1300	20W	65	A313
1G6035 Zephyr Sphere 300/4000/20W/90/W	Ø300±1mm	4000	1300	20W	65	A313

Technical specifications can be modified without prior notice. All information is property of Greentek Lighting.
 The presentation picture is for information purposes only. Latest document update: July 18, 2024 12:18 AM. www.greentek.eu