



Linera 5

RECESSED DOWNLIGHTS | NON-DALI SERIES

Linera 5 is our recessed linear solution suitable for precise accent lighting. The 5 lenses with 3 beam angles (15°, 30°, 45°) are placed in a row on the luminaire's body for a focused light distribution, without punctiform effect. Linera 5 is specially designed for modern stores, showrooms, and art galleries that need to be free of a visible light source. Mounting is easy to perform, without tools, using torsion springs.

Linera 5 has particular technical specifications, determined by various add-on and controls:

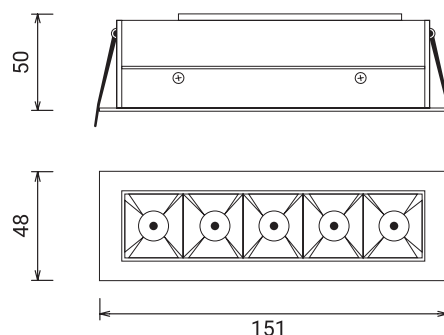
- Linera 5 Non-DALI – the standard for retail spaces
- Linera 5 DALI – with DALI controls for illumination adjustments

FEATURES & BENEFITS

- CRI 80 as standard and 90 available
- 4 color temperatures: 2200K, 2700K, 3000K, 4000K
- Long rated life: L90/B10@50.000h
- Luminaire efficiency: 76lm/W @4000K
- Dimmable (only for DALI Series)

APPLICATION

Grocery & Supermarkets | Retail | Office | Healthcare | Hospitality | DIY



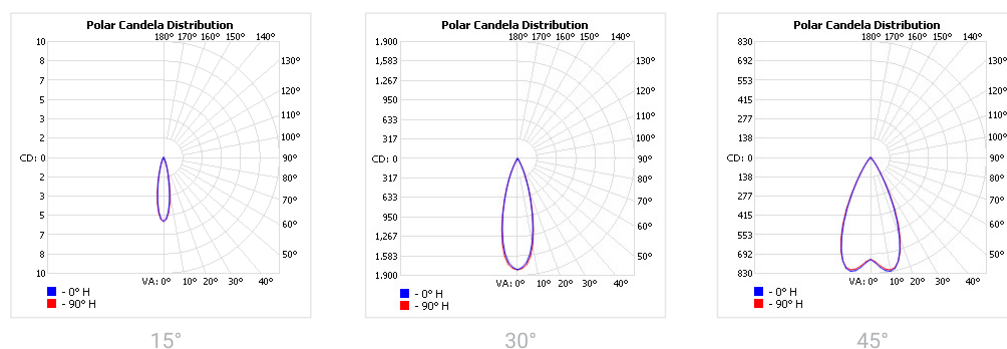
SPECIFICATIONS

Power consumption	7W, 10W, 13W
Dimensions(L x l x H)	151 x 48 x 50 ± 1mm
Weight	0.4 Kg
Housing materials	Aluminium, Polycarbonate
IK code	IK02
THD (at 230V, 50Hz, Full load)	<20%
Protection class	Safety class 1
Operating temperature [°C]	-20°C ... +40°C / -4F ... +104F
Operating humidity [%]	10 ÷ 85
Power factor	≥0.95
AC Input [Vac]	220 - 240 VAC
Lens angle [°]	15°, 30°, 45°
Lifespan [h]	50,000
Housing color	○ RAL 9003 - Signal White, ● RAL 9005 - Jet Black
Lumen maintenance	L90/B10@50,000h at 25°C
IP factor	IP20
Control optional	-
Warranty [years]	5
Storage temperature range [°C]	-10°C ... +55°C / +14F ... +131F
Emergency option	-

#	Standard	-
CRI	CRI80	CRI90
CCT [K]	2200 / 2700 / 3000 / 4000	2700 / 3000 / 4000
MacAdam	3	3

CRI - Color rendering, CCT - Color temperature, MacAdam - Color consistency

LIGHT DISTRIBUTION



TOLERANCES

Luminous flux tolerances: -/+ 5%

Consumption tolerance: -/+ 5% for Non-DALI | -/+ 10% for Non-DALI & KIT EM | -/+ 10% for DALI | -/+ 15% for DALI & KIT EM

BATTERY WARRANTY

Non-DALI EM & DALI EM: 12 months warranty

Non-DALI & DALI: -

MAXIMUM NO. OF LUMINAIRES ON A CIRCUIT

Luminaire Power(W)	Control type	Circuit Breaker Type					
		B			C		
		20	16	10	20	16	10
8-20W	Non-DALI	62	50	31	104	85	52
23-35W	Non-DALI	24	20	10	47	40	20
42W	Non-DALI	20	16	8	38	32	16
8-20W	DALI	62	50	31	104	85	52
23-27W	DALI	25	21	13	50	42	26
34-42W	DALI	17	14	9	34	28	18

RISK GROUP

Standard (CRI80)	RG1
FOOD (BVF, FBS, FSM)	RG1
FOOD ≤35W (FZM, FSH)	RG1
FOOD >35W (FZM, FSH)	RG2
FAS	RG1
AMB2200	RG1
ART	RG1
AGI	RG1
CRI90	RG1
CRI95	RG1
ENT	RG1

RG1

The evaluation of photobiological safety is carried out according to the standard IEC 62471:2008 ("Photobiological safety of lamps and lamp systems"). Following the definition of the risk grouping system of the mentioned IEC standard, the LEDs mounted on this family fall into the class "Low Risk (RG1 – No photobiological hazard under normal behavioral limitations)". Under real circumstances (regarding exposure time, pupils, observation distance), it is assumed that there is no endangerment to the eye from these devices. As a matter of principle, however, it should be mentioned that intense light sources have a high secondary exposure potential due to their blinding effect.

RG2

The evaluation of photobiological safety is carried out according to the standard IEC 62471:2008 ("Photobiological safety of lamps and lamp systems"). Following the definition of the risk grouping system of the mentioned IEC standard, the LEDs mounted on this family fall into the class "Moderate Risk (RG2)". Under real circumstances (regarding exposure time, pupils, observation distance), it is assumed that there is no endangerment to the eye from these devices. As a matter of principle, however, it should be mentioned that intense light sources have a high secondary exposure potential due to their blinding effect.

SKU SPECIFICATIONS

Product Code	Dimensions (mm)	CCT (K)	Lumens (lm)	Power (W)	Eff. (lm/watt)	Lens Angle (°)
CRI 80						
188500 Linera5 D35005/2200/7W/80/A15	151 x 48 x 50 ± 1mm	2200	380	7W	55	15°
188501 Linera5 D35005/2700/7W/80/A15	151 x 48 x 50 ± 1mm	2700	495	7W	71	15°
188502 Linera5 D35005/3000/7W/80/A15	151 x 48 x 50 ± 1mm	3000	530	7W	76	15°
188503 Linera5 D35005/4000/7W/80/A15	151 x 48 x 50 ± 1mm	4000	530	7W	76	15°
188504 Linera5 D35005/2200/7W/80/A30	151 x 48 x 50 ± 1mm	2200	380	7W	55	30°
188505 Linera5 D35005/2700/7W/80/A30	151 x 48 x 50 ± 1mm	2700	495	7W	71	30°
188506 Linera5 D35005/3000/7W/80/A30	151 x 48 x 50 ± 1mm	3000	530	7W	76	30°
188507 Linera5 D35005/4000/7W/80/A30	151 x 48 x 50 ± 1mm	4000	530	7W	76	30°
188508 Linera5 D35005/2200/7W/80/A45	151 x 48 x 50 ± 1mm	2200	380	7W	55	45°
188509 Linera5 D35005/2700/7W/80/A45	151 x 48 x 50 ± 1mm	2700	495	7W	71	45°
188510 Linera5 D35005/3000/7W/80/A45	151 x 48 x 50 ± 1mm	3000	530	7W	76	45°
188511 Linera5 D35005/4000/7W/80/A45	151 x 48 x 50 ± 1mm	4000	530	7W	76	45°
188512 Linera5 D35005/2200/10W/80/A15	151 x 48 x 50 ± 1mm	2200	515	10W	52	15°
188513 Linera5 D35005/2700/10W/80/A15	151 x 48 x 50 ± 1mm	2700	665	10W	67	15°
188514 Linera5 D35005/3000/10W/80/A15	151 x 48 x 50 ± 1mm	3000	715	10W	72	15°
188515 Linera5 D35005/4000/10W/80/A15	151 x 48 x 50 ± 1mm	4000	715	10W	72	15°
188516 Linera5 D35005/2200/10W/80/A30	151 x 48 x 50 ± 1mm	2200	515	10W	52	30°
188517 Linera5 D35005/2700/10W/80/A30	151 x 48 x 50 ± 1mm	2700	665	10W	67	30°
188518 Linera5 D35005/3000/10W/80/A30	151 x 48 x 50 ± 1mm	3000	715	10W	72	30°
188519 Linera5 D35005/4000/10W/80/A30	151 x 48 x 50 ± 1mm	4000	715	10W	72	30°
188520 Linera5 D35005/2200/10W/80/A45	151 x 48 x 50 ± 1mm	2200	515	10W	52	45°
188521 Linera5 D35005/2700/10W/80/A45	151 x 48 x 50 ± 1mm	2700	665	10W	67	45°
188522 Linera5 D35005/3000/10W/80/A45	151 x 48 x 50 ± 1mm	3000	715	10W	72	45°
188523 Linera5 D35005/4000/10W/80/A45	151 x 48 x 50 ± 1mm	4000	715	10W	72	45°
188524 Linera5 D35005/2200/13W/80/A15	151 x 48 x 50 ± 1mm	2200	665	13W	52	15°
188525 Linera5 D35005/2700/13W/80/A15	151 x 48 x 50 ± 1mm	2700	865	13W	67	15°
188526 Linera5 D35005/3000/13W/80/A15	151 x 48 x 50 ± 1mm	3000	930	13W	72	15°
188527 Linera5 D35005/4000/13W/80/A15	151 x 48 x 50 ± 1mm	4000	930	13W	72	15°
188528 Linera5 D35005/2200/13W/80/A30	151 x 48 x 50 ± 1mm	2200	665	13W	52	30°
188529 Linera5 D35005/2700/13W/80/A30	151 x 48 x 50 ± 1mm	2700	865	13W	67	30°
188530 Linera5 D35005/3000/13W/80/A30	151 x 48 x 50 ± 1mm	3000	930	13W	72	30°
188531 Linera5 D35005/4000/13W/80/A30	151 x 48 x 50 ± 1mm	4000	930	13W	72	30°
188532 Linera5 D35005/2200/13W/80/A45	151 x 48 x 50 ± 1mm	2200	665	13W	52	45°
188533 Linera5 D35005/2700/13W/80/A45	151 x 48 x 50 ± 1mm	2700	865	13W	67	45°
188534 Linera5 D35005/3000/13W/80/A45	151 x 48 x 50 ± 1mm	3000	930	13W	72	45°
188535 Linera5 D35005/4000/13W/80/A45	151 x 48 x 50 ± 1mm	4000	930	13W	72	45°
CRI 90						
188536 Linera5 D35005/2700/7W/90/A15	151 x 48 x 50 ± 1mm	2700	380	7W	55	15°
188537 Linera5 D35005/3000/7W/90/A15	151 x 48 x 50 ± 1mm	3000	420	7W	60	15°
188538 Linera5 D35005/4000/7W/90/A15	151 x 48 x 50 ± 1mm	4000	455	7W	65	15°
188539 Linera5 D35005/2700/7W/90/A30	151 x 48 x 50 ± 1mm	2700	380	7W	55	30°
188540 Linera5 D35005/3000/7W/90/A30	151 x 48 x 50 ± 1mm	3000	420	7W	60	30°
188541 Linera5 D35005/4000/7W/90/A30	151 x 48 x 50 ± 1mm	4000	455	7W	65	30°
188542 Linera5 D35005/2700/7W/90/A45	151 x 48 x 50 ± 1mm	2700	380	7W	55	45°
188543 Linera5 D35005/3000/7W/90/A45	151 x 48 x 50 ± 1mm	3000	420	7W	60	45°
188544 Linera5 D35005/4000/7W/90/A45	151 x 48 x 50 ± 1mm	4000	455	7W	65	45°
188545 Linera5 D35005/2700/10W/90/A15	151 x 48 x 50 ± 1mm	2700	515	10W	52	15°
188546 Linera5 D35005/3000/10W/90/A15	151 x 48 x 50 ± 1mm	3000	565	10W	57	15°

SKU SPECIFICATIONS

Product Code	Dimensions (mm)	CCT (K)	Lumens (lm)	Power (W)	Eff. (lm/watt)	Lens Angle (°)
CRI 90						
188547 Linera5 D35005/4000/10W/90/A15	151 x 48 x 50 ± 1mm	4000	615	10W	62	15°
188548 Linera5 D35005/2700/10W/90/A30	151 x 48 x 50 ± 1mm	2700	515	10W	52	30°
188549 Linera5 D35005/3000/10W/90/A30	151 x 48 x 50 ± 1mm	3000	565	10W	57	30°
188550 Linera5 D35005/4000/10W/90/A30	151 x 48 x 50 ± 1mm	4000	615	10W	62	30°
188551 Linera5 D35005/2700/10W/90/A45	151 x 48 x 50 ± 1mm	2700	515	10W	52	45°
188552 Linera5 D35005/3000/10W/90/A45	151 x 48 x 50 ± 1mm	3000	565	10W	57	45°
188553 Linera5 D35005/4000/10W/90/A45	151 x 48 x 50 ± 1mm	4000	615	10W	62	45°
188554 Linera5 D35005/2700/13W/90/A15	151 x 48 x 50 ± 1mm	2700	665	13W	52	15°
188555 Linera5 D35005/3000/13W/90/A15	151 x 48 x 50 ± 1mm	3000	735	13W	57	15°
188556 Linera5 D35005/4000/13W/90/A15	151 x 48 x 50 ± 1mm	4000	800	13W	62	15°
188557 Linera5 D35005/2700/13W/90/A30	151 x 48 x 50 ± 1mm	2700	665	13W	52	30°
188558 Linera5 D35005/3000/13W/90/A30	151 x 48 x 50 ± 1mm	3000	735	13W	57	30°
188559 Linera5 D35005/4000/13W/90/A30	151 x 48 x 50 ± 1mm	4000	800	13W	62	30°
188560 Linera5 D35005/2700/13W/90/A45	151 x 48 x 50 ± 1mm	2700	665	13W	52	45°
188561 Linera5 D35005/3000/13W/90/A45	151 x 48 x 50 ± 1mm	3000	735	13W	57	45°
188562 Linera5 D35005/4000/13W/90/A45	151 x 48 x 50 ± 1mm	4000	800	13W	62	45°