



Tulip L

TRACK SPOTLIGHTS | PI-LED SERIES

A highly elegant, compact track spotlight. The radiator is encased in the aluminum housing, allowing for a smooth design. As all our track lights, the Tulip L range includes several special color temperatures for food, art and fashion. Especially suitable for commercial spaces and showrooms that require a sleek, minimalistic luminaire.

PI-LED - Combines variable white light and light of the RGB color system in one single light source. It can vary the color temperature between 2700K - 6500K along Planckian curve in the course of a day

The modern touch is given by the aluminum housing and three color options: signal white, jet black and white aluminum.

Available in two series, with different add-ons and controls:

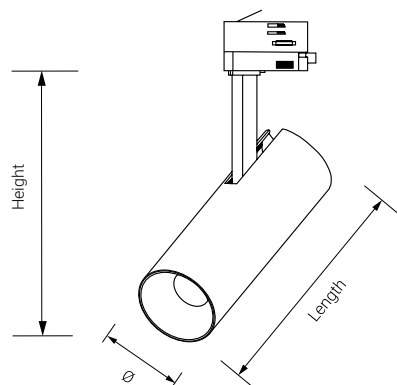
- Tulip L Non-DALI – the standard for any project in the retail sector
- Tulip L DALI – with DALI controls for illumination adjustments
- Tulip L PI-LED – *simulates the spectral quality of natural daylight over the entire day.*

APPLICATION

High End Grocery & Supermarkets | Fashion Retailers | Hospitality | Art & Exhibitions

FEATURES & BENEFITS

- CRI > 90 as standard
- Great variety of optics – 4 angles, from narrow beams to flood beams, for each housing size
- Efficiency: 54 lm/W @4000K
- Very long service life: 50.000 h at 90% luminous flux
- Dimmable



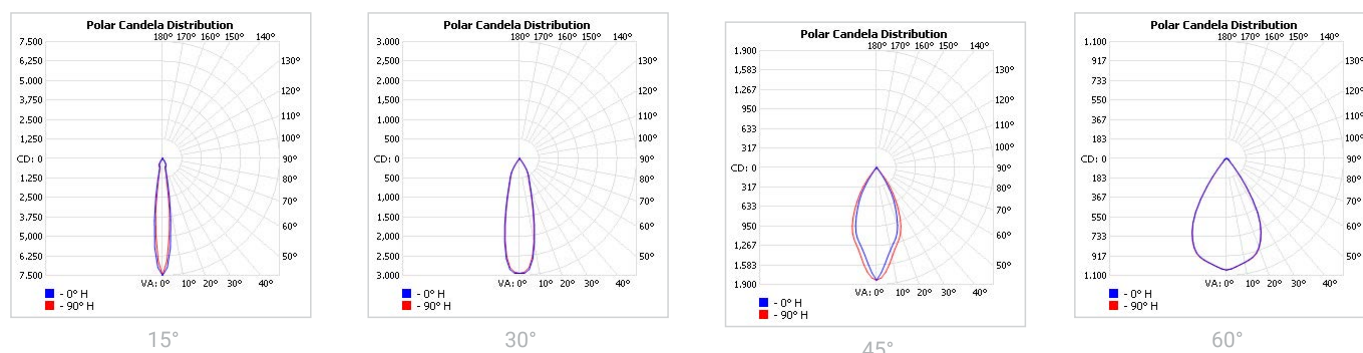
SPECIFICATIONS

Power consumption	26W
Dimensions	Ø110x240x279mm±1mm
Weight	1.9 kg
Housing materials	Aluminium, Glass
IK code	IK02
THD (at 230V, 50Hz, Full load)	< 8%
Protection class	Safety class 1
Operating temperature [°C]	+10°C ... +45°C / +50F ... +113F
Operating humidity [%]	10 ÷ 85
Power factor	≥0.85
AC Input [Vac]	220 - 240 VAC
Lens angle [°]	15°, 30°, 45°, 60°
Lifespan [h]	50.000
Housing color	○ RAL 9003 - Signal white, ● RAL 9005 - Jet Black, ● RAL 9006 - White Aluminium
Lumen maintenance	L70/B10@50.000h at 25°C
IP factor	IP20
Control optional	DALI
Warranty [years]	5
Storage temperature range [°C]	-20°C ... +80°C / -4F ... +176F
Emergency option	-

#	Standard
CRI	CRI90
CCT [K]	PI
MacAdam	1

CRI - Color rendering, CCT - Color temperature, MacAdam - Color consistency

LIGHT DISTRIBUTION



TOLERANCES

Luminous flux tolerances: -/+ 5%

Consumption tolerance: -/+ 5% for Non-DALI | -/+ 10% for Non-DALI & KIT EM | -/+ 10% for DALI | -/+ 15% for DALI & KIT EM

BATTERY WARRANTY

Non-DALI EM & DALI EM: 12 months warranty

Non-DALI & DALI: -

MAXIMUM NO. OF LUMINAIRES ON A CIRCUIT

Luminaire Power(W)	Control type	Circuit Breaker Type					
		B			C		
		20	16	10	20	16	10
14-20W	Non-DALI	62	50	31	104	85	52
27-35W	Non-DALI	62	50	31	104	85	52
14W	DALI	44	35	21	73	58	35
20W	DALI	40	32	18	66	53	30
27W-35W	DALI	28	22	13	46	36	21

RISK GROUP

Standard (CRI80)	RG1
FOOD (BVF, FBS, FSM)	RG1
FOOD ≤35W (FZM, FSH)	RG1
FOOD >35W (FZM, FSH)	RG2
FAS	RG1
AMB2200	RG1
ART	RG1
AGI	RG1
CRI90	RG1
CRI95	RG1
ENT	RG1

RG1
 The evaluation of photobiological safety is carried out according to the standard IEC 62471:2008 ("Photobiological safety of lamps and lamp systems"). Following the definition of the risk grouping system of the mentioned IEC standard, the LEDs mounted on this family fall into the class "Low Risk (RG1 – No photobiological hazard under normal behavioral limitations)". Under real circumstances (regarding exposure time, pupils, observation distance), it is assumed that there is no endangerment to the eye from these devices. As a matter of principle, however, it should be mentioned that intense light sources have a high secondary exposure potential due to their blinding effect.

RG2
 The evaluation of photobiological safety is carried out according to the standard IEC 62471:2008 ("Photobiological safety of lamps and lamp systems"). Following the definition of the risk grouping system of the mentioned IEC standard, the LEDs mounted on this family fall into the class "Moderate Risk (RG2)". Under real circumstances (regarding exposure time, pupils, observation distance), it is assumed that there is no endangerment to the eye from these devices. As a matter of principle, however, it should be mentioned that intense light sources have a high secondary exposure potential due to their blinding effect.

SKU SPECIFICATIONS

Product Code	Dimensions (mm)	CCT (K)	Lumens (lm)	Power (W)	Eff. (lm/watt)	Lens Angle (°)
CRI 90						
264939 TulipL S34017R/PI/26W/90/A15	Ø110x240x279mm±1mm	PI	1400	26W	54	15°
264940 TulipL S34017R/PI/26W/90/A30	Ø110x240x279mm±1mm	PI	1400	26W	54	30°
264941 TulipL S34017R/PI/26W/90/A45	Ø110x240x279mm±1mm	PI	1400	26W	54	45°
264942 TulipL S34017R/PI/26W/90/A60	Ø110x240x279mm±1mm	PI	1400	26W	54	60°