



Amyas TRK

TRACK DOWNLIGHTS | NON-DALI SERIES

With an elegant and clean design, Amyas TRK is suspended luminaire mounted on track. Easy to install by simply clicking the adaptor into place. Suitable for special color temperatures. With eight different lens angles from narrow 10° to wide 60°.

PI-LED - Combines variable white light and light of the RGB color system in one single light source. It can vary the color temperature between 2700K - 6500K along Planckian curve in the course of a day.

Amyas TRK downlights come in several series, with various add-on and controls:

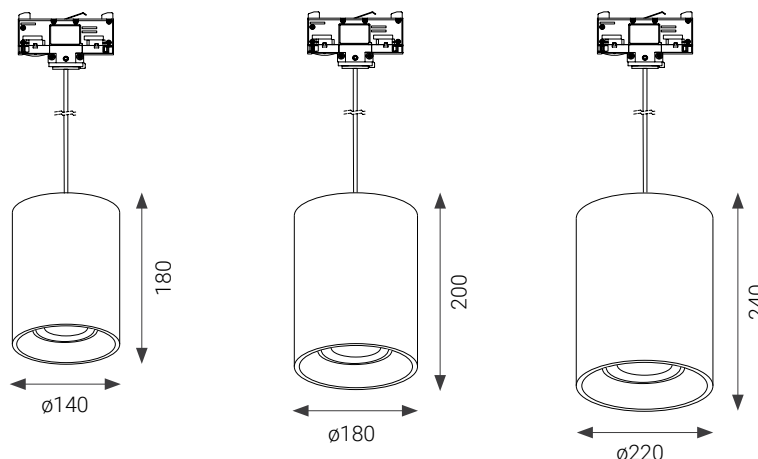
- Amyas TRK Non-DALI – the standard for any project in the retail sectors
- Amyas TRK DALI – with DALI controls for dimming
- Amyas TRK PI-LED – simulates the spectral quality of natural daylight over the entire day.

APPLICATION

Grocery & Supermarket | Office | Healthcare | Hospitality | DIY

FEATURES & BENEFITS

- CRI > 80 as standard, up to 98 for certain special colors
- 15 color temperatures, including 11 specialized options
- Great variety of optics – 8 angles from narrow beams to flood beams
- Luminaire efficiency: 117lm/W @4000K
- Dimmable (only for DALI Series and PI-LED Series)



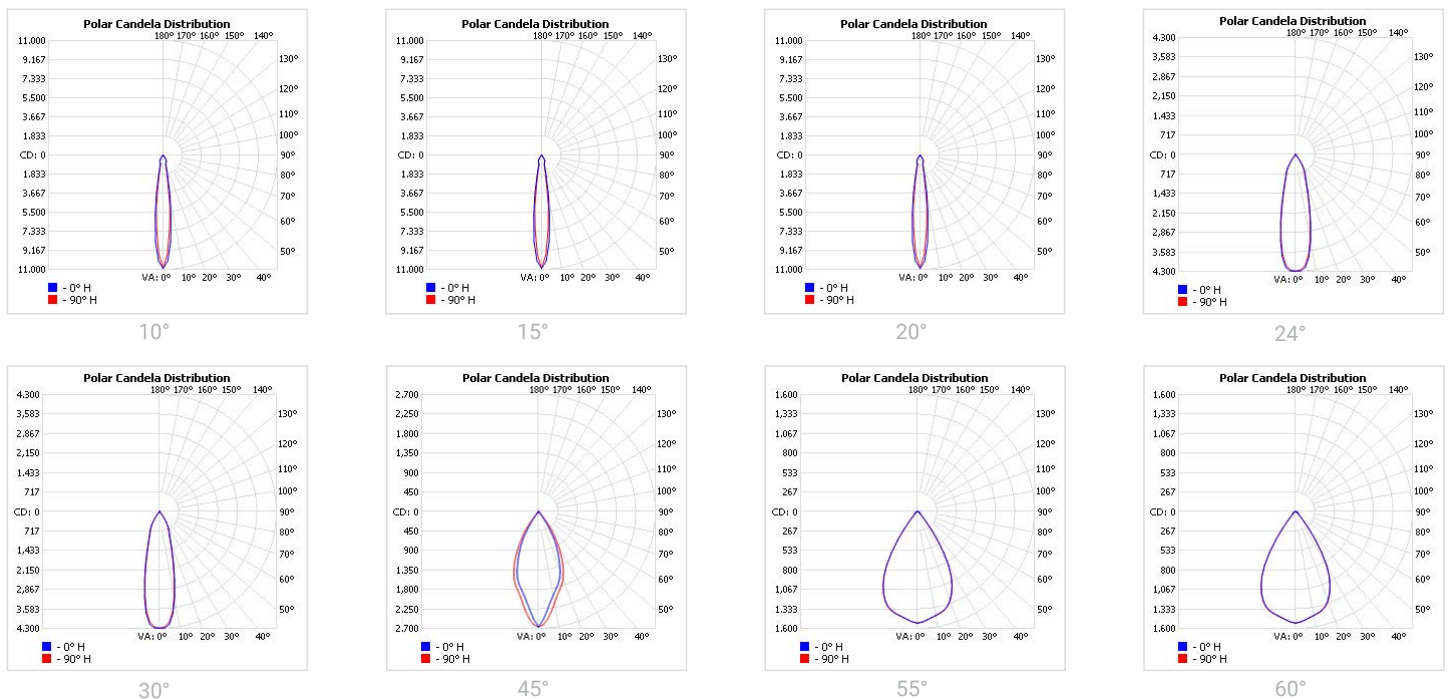
SPECIFICATIONS

Power consumption	12W, 14W, 17W, 20W, 23W, 27W, 29W, 34W, 35W, 42W		
Dimensions	D140xH180mm±1mm	D180 x H200 ±1mm	D220 x H240 ±1mm
Weight	1.2 - 1.3 Kg	1.8 - 1.9 Kg	1.9 - 2.1 Kg
Housing materials	Aluminium, Glass		
IK code	IK02		
THD (at 230V, 50Hz, Full load)	<20%		
Protection class	Safety class 1		
Operating temperature [°C]	-20°C ... +45°C / -4F ... +113F		
Operating humidity [%]	10 ÷ 85		
Power factor	≥0.95		
AC Input [Vac]	220 - 240 VAC		
Lens angle [°]	10°, 15°, 20°, 24°, 30°, 45°, 55°, 60°		
Lifespan [h]	50.000		
Housing color	○ RAL 9003 - Signal White, ● RAL 9005 - Jet Black, ● RAL 9006 - White Aluminium		
Lumen maintenance	L90/B10@50.000h at 25°C		
IP factor (general)	IP20		
Control option	-		
Warranty [years]	5		
Storage temperature range [°C]	-20°C ... +55°C / -4F ... +131F		
Emergency option	-		

#	Standard	Food	Fashion	AGI	ART	AMB
CRI	CRI80	CRI80	CRI95	CRI93	CRI98	CRI80
CCT [K]	2700 / 3000 / 3500 / 4000	BVF / FBS / FZM / FSM / FSH	FAS	AGI 3000 / 3500 / 4000	3000	2200
MacAdam	3	3 / 4 / 4 / 3 / 3	3	3	2	3

CRI - Color rendering, CCT - Color temperature, MacAdam - Color consistency

LIGHT DISTRIBUTION



TOLERANCES

Luminous flux tolerances: -/+ 5%

Consumption tolerance: -/+ 5% for Non-DALI | -/+ 10% for Non-DALI & KIT EM | -/+ 10% for DALI | -/+ 15% for DALI & KIT EM

BATTERY WARRANTY

Non-DALI EM & DALI EM: 12 months warranty

Non-DALI & DALI: -

MAXIMUM NO. OF LUMINAIRES ON A CIRCUIT

Luminaire Power(W)	Control type	Circuit Breaker Type					
		B			C		
		20	16	10	20	16	10
8-20W	Non-DALI	62	50	31	104	85	52
23-35W	Non-DALI	24	20	10	47	40	20
42W	Non-DALI	20	16	8	38	32	16
8-20W	DALI	62	50	31	104	85	52
23-27W	DALI	18	15	9	31	50	15
34-42W	DALI	17	14	9	34	28	18

RISK GROUP

Standard (CRI80) RG1

FOOD (BVF, FBS, FSM) RG1

FOOD ≤35W (FZM, FSH) RG2 (dthr=1.8m)

FOOD >35W (FZM, FSH) RG2 (dthr=2.2m)

FAS RG1

AMB2200 RG1

ART RG1

AGI RG1

CRI90 RG1

CRI95 RG1

ENT RG1

RG1

The evaluation of photobiological safety is carried out according to the standard IEC 62471:2008 ("Photobiological safety of lamps and lamp systems"). Following the definition of the risk grouping system of the mentioned IEC standard, the LEDs mounted on this family fall into the class "Low Risk (RG1 – No photobiological hazard under normal behavioral limitations)". Under real circumstances (regarding exposure time, pupils, observation distance), it is assumed that there is no endangerment to the eye from these devices. As a matter of principle, however, it should be mentioned that intense light sources have a high secondary exposure potential due to their blinding effect.

RG2

The evaluation of photobiological safety is carried out according to the standard IEC 62471:2008 ("Photobiological safety of lamps and lamp systems"). Following the definition of the risk grouping system of the mentioned IEC standard, the LEDs mounted on this family fall into the class "Moderate Risk (RG2)". Under real circumstances (regarding exposure time, pupils, observation distance), it is assumed that there is no endangerment to the eye from these devices. As a matter of principle, however, it should be mentioned that intense light sources have a high secondary exposure potential due to their blinding effect.

SKU SPECIFICATIONS

Product Code	Dimensions (mm)	CCT (K)	Lumens (lm)	Power (W)	Eff. (lm/watt)	Lens Angle (°)
CRI 80						
172000 Amyas TRK C31400/2700/14W/80/A10	D140 x H180 ±1mm	2700	1485	14W	107	10°
172001 Amyas TRK C31400/3000/14W/80/A10	D140 x H180 ±1mm	3000	1500	14W	108	10°
172002 Amyas TRK C31400/3500/14W/80/A10	D140 x H180 ±1mm	3500	1540	14W	110	10°
172003 Amyas TRK C31400/4000/14W/80/A10	D140 x H180 ±1mm	4000	1570	14W	113	10°
172005 Amyas TRK C31400/2700/14W/80/A24	D140 x H180 ±1mm	2700	1485	14W	107	24°
172006 Amyas TRK C31400/3000/14W/80/A24	D140 x H180 ±1mm	3000	1500	14W	108	24°
172007 Amyas TRK C31400/3500/14W/80/A24	D140 x H180 ±1mm	3500	1540	14W	110	24°
172008 Amyas TRK C31400/4000/14W/80/A24	D140 x H180 ±1mm	4000	1570	14W	113	24°
172010 Amyas TRK C31400/2700/14W/80/A55	D140 x H180 ±1mm	2700	1485	14W	107	55°
172011 Amyas TRK C31400/3000/14W/80/A55	D140 x H180 ±1mm	3000	1500	14W	108	55°
172012 Amyas TRK C31400/3500/14W/80/A55	D140 x H180 ±1mm	3500	1540	14W	110	55°
172013 Amyas TRK C31400/4000/14W/80/A55	D140 x H180 ±1mm	4000	1570	14W	113	55°
172015 Amyas TRK C31400/2700/20W/80/A10	D140 x H180 ±1mm	2700	2080	20W	104	10°
172016 Amyas TRK C31400/3000/20W/80/A10	D140 x H180 ±1mm	3000	2100	20W	105	10°
172017 Amyas TRK C31400/3500/20W/80/A10	D140 x H180 ±1mm	3500	2160	20W	108	10°
172018 Amyas TRK C31400/4000/20W/80/A10	D140 x H180 ±1mm	4000	2200	20W	110	10°
172020 Amyas TRK C31400/2700/20W/80/A24	D140 x H180 ±1mm	2700	2080	20W	104	24°
172021 Amyas TRK C31400/3000/20W/80/A24	D140 x H180 ±1mm	3000	2100	20W	105	24°
172022 Amyas TRK C31400/3500/20W/80/A24	D140 x H180 ±1mm	3500	2160	20W	108	24°
172023 Amyas TRK C31400/4000/20W/80/A24	D140 x H180 ±1mm	4000	2200	20W	110	24°
172025 Amyas TRK C31400/2700/20W/80/A55	D140 x H180 ±1mm	2700	2080	20W	104	55°
172026 Amyas TRK C31400/3000/20W/80/A55	D140 x H180 ±1mm	3000	2100	20W	105	55°
172027 Amyas TRK C31400/3500/20W/80/A55	D140 x H180 ±1mm	3500	2160	20W	108	55°
172028 Amyas TRK C31400/4000/20W/80/A55	D140 x H180 ±1mm	4000	2200	20W	110	55°
172030 Amyas TRK C31800/2700/14W/80/A20	D180 x H200 ±1mm	2700	1485	14W	107	20°
172031 Amyas TRK C31800/3000/14W/80/A20	D180 x H200 ±1mm	3000	1500	14W	108	20°
172032 Amyas TRK C31800/3500/14W/80/A20	D180 x H200 ±1mm	3500	1540	14W	110	20°
172033 Amyas TRK C31800/4000/14W/80/A20	D180 x H200 ±1mm	4000	1570	14W	113	20°
172035 Amyas TRK C31800/2700/14W/80/A30	D180 x H200 ±1mm	2700	1485	14W	107	30°
172036 Amyas TRK C31800/3000/14W/80/A30	D180 x H200 ±1mm	3000	1500	14W	108	30°
172037 Amyas TRK C31800/3500/14W/80/A30	D180 x H200 ±1mm	3500	1540	14W	110	30°
172038 Amyas TRK C31800/4000/14W/80/A30	D180 x H200 ±1mm	4000	1570	14W	113	30°
172040 Amyas TRK C31800/2700/14W/80/A45	D180 x H200 ±1mm	2700	1485	14W	107	45°
172041 Amyas TRK C31800/3000/14W/80/A45	D180 x H200 ±1mm	3000	1500	14W	108	45°
172042 Amyas TRK C31800/3500/14W/80/A45	D180 x H200 ±1mm	3500	1540	14W	110	45°
172043 Amyas TRK C31800/4000/14W/80/A45	D180 x H200 ±1mm	4000	1570	14W	113	45°
172045 Amyas TRK C31800/2700/14W/80/A55	D180 x H200 ±1mm	2700	1485	14W	107	55°
172046 Amyas TRK C31800/3000/14W/80/A55	D180 x H200 ±1mm	3000	1500	14W	108	55°
172047 Amyas TRK C31800/3500/14W/80/A55	D180 x H200 ±1mm	3500	1540	14W	110	55°
172048 Amyas TRK C31800/4000/14W/80/A55	D180 x H200 ±1mm	4000	1570	14W	113	55°
172050 Amyas TRK C31800/2700/20W/80/A20	D180 x H200 ±1mm	2700	2080	20W	104	20°
172051 Amyas TRK C31800/3000/20W/80/A20	D180 x H200 ±1mm	3000	2100	20W	105	20°
172052 Amyas TRK C31800/3500/20W/80/A20	D180 x H200 ±1mm	3500	2160	20W	108	20°
172053 Amyas TRK C31800/4000/20W/80/A20	D180 x H200 ±1mm	4000	2200	20W	110	20°
172055 Amyas TRK C31800/2700/20W/80/A30	D180 x H200 ±1mm	2700	2080	20W	104	30°
172056 Amyas TRK C31800/3000/20W/80/A30	D180 x H200 ±1mm	3000	2100	20W	105	30°
172057 Amyas TRK C31800/3500/20W/80/A30	D180 x H200 ±1mm	3500	2160	20W	108	30°
172058 Amyas TRK C31800/4000/20W/80/A30	D180 x H200 ±1mm	4000	2200	20W	110	30°
172060 Amyas TRK C31800/2700/20W/80/A45	D180 x H200 ±1mm	2700	2080	20W	104	45°
172061 Amyas TRK C31800/3000/20W/80/A45	D180 x H200 ±1mm	3000	2100	20W	105	45°

SKU SPECIFICATIONS

Product Code	Dimensions (mm)	CCT (K)	Lumens (lm)	Power (W)	Eff. (lm/watt)	Lens Angle (°)
CRI 80						
172062 Amyas TRK C31800/3500/20W/80/A45	D180 x H200 ±1mm	3500	2160	20W	108	45°
172063 Amyas TRK C31800/4000/20W/80/A45	D180 x H200 ±1mm	4000	2200	20W	110	45°
172065 Amyas TRK C31800/2700/20W/80/A55	D180 x H200 ±1mm	2700	2080	20W	104	55°
172066 Amyas TRK C31800/3000/20W/80/A55	D180 x H200 ±1mm	3000	2100	20W	105	55°
172067 Amyas TRK C31800/3500/20W/80/A55	D180 x H200 ±1mm	3500	2160	20W	108	55°
172068 Amyas TRK C31800/4000/20W/80/A55	D180 x H200 ±1mm	4000	2200	20W	110	55°
172070 Amyas TRK C31800/2700/27W/80/A20	D180 x H200 ±1mm	2700	2945	27W	110	20°
172071 Amyas TRK C31800/3000/27W/80/A20	D180 x H200 ±1mm	3000	2970	27W	110	20°
172072 Amyas TRK C31800/3500/27W/80/A20	D180 x H200 ±1mm	3500	3055	27W	114	20°
172073 Amyas TRK C31800/4000/27W/80/A20	D180 x H200 ±1mm	4000	3135	27W	117	20°
172075 Amyas TRK C31800/2700/27W/80/A30	D180 x H200 ±1mm	2700	2945	27W	110	30°
172076 Amyas TRK C31800/3000/27W/80/A30	D180 x H200 ±1mm	3000	2970	27W	110	30°
172077 Amyas TRK C31800/3500/27W/80/A30	D180 x H200 ±1mm	3500	3055	27W	114	30°
172078 Amyas TRK C31800/4000/27W/80/A30	D180 x H200 ±1mm	4000	3135	27W	117	30°
172080 Amyas TRK C31800/2700/27W/80/A45	D180 x H200 ±1mm	2700	2945	27W	110	45°
172081 Amyas TRK C31800/3000/27W/80/A45	D180 x H200 ±1mm	3000	2970	27W	110	45°
172082 Amyas TRK C31800/3500/27W/80/A45	D180 x H200 ±1mm	3500	3055	27W	114	45°
172083 Amyas TRK C31800/4000/27W/80/A45	D180 x H200 ±1mm	4000	3135	27W	117	45°
172085 Amyas TRK C31800/2700/27W/80/A55	D180 x H200 ±1mm	2700	2945	27W	110	55°
172086 Amyas TRK C31800/3000/27W/80/A55	D180 x H200 ±1mm	3000	2970	27W	110	55°
172087 Amyas TRK C31800/3500/27W/80/A55	D180 x H200 ±1mm	3500	3055	27W	114	55°
172088 Amyas TRK C31800/4000/27W/80/A55	D180 x H200 ±1mm	4000	3135	27W	117	55°
172090 Amyas TRK C32200/2700/14W/80/A15	D220 x H240 ±1mm	2700	1485	14W	107	15°
172091 Amyas TRK C32200/3000/14W/80/A15	D220 x H240 ±1mm	3000	1500	14W	108	15°
172092 Amyas TRK C32200/3500/14W/80/A15	D220 x H240 ±1mm	3500	1540	14W	110	15°
172093 Amyas TRK C32200/4000/14W/80/A15	D220 x H240 ±1mm	4000	1570	14W	113	15°
172095 Amyas TRK C32200/2700/14W/80/A30	D220 x H240 ±1mm	2700	1485	14W	107	30°
172096 Amyas TRK C32200/3000/14W/80/A30	D220 x H240 ±1mm	3000	1500	14W	108	30°
172097 Amyas TRK C32200/3500/14W/80/A30	D220 x H240 ±1mm	3500	1540	14W	110	30°
172098 Amyas TRK C32200/4000/14W/80/A30	D220 x H240 ±1mm	4000	1570	14W	113	30°
172100 Amyas TRK C32200/2700/14W/80/A45	D220 x H240 ±1mm	2700	1485	14W	107	45°
172101 Amyas TRK C32200/3000/14W/80/A45	D220 x H240 ±1mm	3000	1500	14W	108	45°
172102 Amyas TRK C32200/3500/14W/80/A45	D220 x H240 ±1mm	3500	1540	14W	110	45°
172103 Amyas TRK C32200/4000/14W/80/A45	D220 x H240 ±1mm	4000	1570	14W	113	45°
172105 Amyas TRK C32200/2700/14W/80/A60	D220 x H240 ±1mm	2700	1485	14W	107	60°
172106 Amyas TRK C32200/3000/14W/80/A60	D220 x H240 ±1mm	3000	1500	14W	108	60°
172107 Amyas TRK C32200/3500/14W/80/A60	D220 x H240 ±1mm	3500	1540	14W	110	60°
172108 Amyas TRK C32200/4000/14W/80/A60	D220 x H240 ±1mm	4000	1570	14W	113	60°
172110 Amyas TRK C32200/2700/20W/80/A15	D220 x H240 ±1mm	2700	2080	20W	104	15°
172111 Amyas TRK C32200/3000/20W/80/A15	D220 x H240 ±1mm	3000	2100	20W	105	15°
172112 Amyas TRK C32200/3500/20W/80/A15	D220 x H240 ±1mm	3500	2160	20W	108	15°
172113 Amyas TRK C32200/4000/20W/80/A15	D220 x H240 ±1mm	4000	2200	20W	110	15°
172115 Amyas TRK C32200/2700/20W/80/A30	D220 x H240 ±1mm	2700	2080	20W	104	30°
172116 Amyas TRK C32200/3000/20W/80/A30	D220 x H240 ±1mm	3000	2100	20W	105	30°
172117 Amyas TRK C32200/3500/20W/80/A30	D220 x H240 ±1mm	3500	2160	20W	108	30°
172118 Amyas TRK C32200/4000/20W/80/A30	D220 x H240 ±1mm	4000	2200	20W	110	30°
172120 Amyas TRK C32200/2700/20W/80/A45	D220 x H240 ±1mm	2700	2080	20W	104	45°
172121 Amyas TRK C32200/3000/20W/80/A45	D220 x H240 ±1mm	3000	2100	20W	105	45°
172122 Amyas TRK C32200/3500/20W/80/A45	D220 x H240 ±1mm	3500	2160	20W	108	45°
172123 Amyas TRK C32200/4000/20W/80/A45	D220 x H240 ±1mm	4000	2200	20W	110	45°

SKU SPECIFICATIONS

Product Code	Dimensions (mm)	CCT (K)	Lumens (lm)	Power (W)	Eff. (lm/watt)	Lens Angle (°)
CRI 80						
172125 Amyas TRK C32200/2700/20W/80/A60	D220 x H240 ±1mm	2700	2080	20W	104	60°
172126 Amyas TRK C32200/3000/20W/80/A60	D220 x H240 ±1mm	3000	2100	20W	105	60°
172127 Amyas TRK C32200/3500/20W/80/A60	D220 x H240 ±1mm	3500	2160	20W	108	60°
172128 Amyas TRK C32200/4000/20W/80/A60	D220 x H240 ±1mm	4000	2200	20W	110	60°
172130 Amyas TRK C32200/2700/27W/80/A15	D220 x H240 ±1mm	2700	2945	27W	110	15°
172131 Amyas TRK C32200/3000/27W/80/A15	D220 x H240 ±1mm	3000	2970	27W	110	15°
172132 Amyas TRK C32200/3500/27W/80/A15	D220 x H240 ±1mm	3500	3055	27W	114	15°
172133 Amyas TRK C32200/4000/27W/80/A15	D220 x H240 ±1mm	4000	3135	27W	117	15°
172135 Amyas TRK C32200/2700/27W/80/A30	D220 x H240 ±1mm	2700	2945	27W	110	30°
172136 Amyas TRK C32200/3000/27W/80/A30	D220 x H240 ±1mm	3000	2970	27W	110	30°
172137 Amyas TRK C32200/3500/27W/80/A30	D220 x H240 ±1mm	3500	3055	27W	114	30°
172138 Amyas TRK C32200/4000/27W/80/A30	D220 x H240 ±1mm	4000	3135	27W	117	30°
172140 Amyas TRK C32200/2700/27W/80/A45	D220 x H240 ±1mm	2700	2945	27W	110	45°
172141 Amyas TRK C32200/3000/27W/80/A45	D220 x H240 ±1mm	3000	2970	27W	110	45°
172142 Amyas TRK C32200/3500/27W/80/A45	D220 x H240 ±1mm	3500	3055	27W	114	45°
172143 Amyas TRK C32200/4000/27W/80/A45	D220 x H240 ±1mm	4000	3135	27W	117	45°
172145 Amyas TRK C32200/2700/27W/80/A60	D220 x H240 ±1mm	2700	2945	27W	110	60°
172146 Amyas TRK C32200/3000/27W/80/A60	D220 x H240 ±1mm	3000	2970	27W	110	60°
172147 Amyas TRK C32200/3500/27W/80/A60	D220 x H240 ±1mm	3500	3055	27W	114	60°
172148 Amyas TRK C32200/4000/27W/80/A60	D220 x H240 ±1mm	4000	3135	27W	117	60°
172150 Amyas TRK C32200/2700/35W/80/A15	D220 x H240 ±1mm	2700	3710	35W	106	15°
172151 Amyas TRK C32200/3000/35W/80/A15	D220 x H240 ±1mm	3000	3745	35W	107	15°
172152 Amyas TRK C32200/3500/35W/80/A15	D220 x H240 ±1mm	3500	3815	35W	109	15°
172153 Amyas TRK C32200/4000/35W/80/A15	D220 x H240 ±1mm	4000	3920	35W	112	15°
172155 Amyas TRK C32200/2700/35W/80/A30	D220 x H240 ±1mm	2700	3710	35W	106	30°
172156 Amyas TRK C32200/3000/35W/80/A30	D220 x H240 ±1mm	3000	3745	35W	107	30°
172157 Amyas TRK C32200/3500/35W/80/A30	D220 x H240 ±1mm	3500	3815	35W	109	30°
172158 Amyas TRK C32200/4000/35W/80/A30	D220 x H240 ±1mm	4000	3920	35W	112	30°
172160 Amyas TRK C32200/2700/35W/80/A45	D220 x H240 ±1mm	2700	3710	35W	106	45°
172161 Amyas TRK C32200/3000/35W/80/A45	D220 x H240 ±1mm	3000	3745	35W	107	45°
172162 Amyas TRK C32200/3500/35W/80/A45	D220 x H240 ±1mm	3500	3815	35W	109	45°
172163 Amyas TRK C32200/4000/35W/80/A45	D220 x H240 ±1mm	4000	3920	35W	112	45°
172165 Amyas TRK C32200/2700/35W/80/A60	D220 x H240 ±1mm	2700	3710	35W	106	60°
172166 Amyas TRK C32200/3000/35W/80/A60	D220 x H240 ±1mm	3000	3745	35W	107	60°
172167 Amyas TRK C32200/3500/35W/80/A60	D220 x H240 ±1mm	3500	3815	35W	109	60°
172168 Amyas TRK C32200/4000/35W/80/A60	D220 x H240 ±1mm	4000	3920	35W	112	60°
172170 Amyas TRK C32200/2700/42W/80/A15	D220 x H240 ±1mm	2700	4200	42W	100	15°
172171 Amyas TRK C32200/3000/42W/80/A15	D220 x H240 ±1mm	3000	4200	42W	100	15°
172172 Amyas TRK C32200/3500/42W/80/A15	D220 x H240 ±1mm	3500	4330	42W	103	15°
172173 Amyas TRK C32200/4000/42W/80/A15	D220 x H240 ±1mm	4000	4455	42W	106	15°
172175 Amyas TRK C32200/2700/42W/80/A30	D220 x H240 ±1mm	2700	4200	42W	100	30°
172176 Amyas TRK C32200/3000/42W/80/A30	D220 x H240 ±1mm	3000	4200	42W	100	30°
172177 Amyas TRK C32200/3500/42W/80/A30	D220 x H240 ±1mm	3500	4330	42W	103	30°
172178 Amyas TRK C32200/4000/42W/80/A30	D220 x H240 ±1mm	4000	4455	42W	106	30°
172180 Amyas TRK C32200/2700/42W/80/A45	D220 x H240 ±1mm	2700	4200	42W	100	45°
172181 Amyas TRK C32200/3000/42W/80/A45	D220 x H240 ±1mm	3000	4200	42W	100	45°
172182 Amyas TRK C32200/3500/42W/80/A45	D220 x H240 ±1mm	3500	4330	42W	103	45°
172183 Amyas TRK C32200/4000/42W/80/A45	D220 x H240 ±1mm	4000	4455	42W	106	45°
172185 Amyas TRK C32200/2700/42W/80/A60	D220 x H240 ±1mm	2700	4200	42W	100	60°
172186 Amyas TRK C32200/3000/42W/80/A60	D220 x H240 ±1mm	3000	4200	42W	100	60°

SKU SPECIFICATIONS

Product Code	Dimensions (mm)	CCT (K)	Lumens (lm)	Power (W)	Eff. (lm/watt)	Lens Angle (°)
CRI 80						
172187 Amyas TRK C32200/3500/42W/80/A60	D220 x H240 ±1mm	3500	4330	42W	103	60°
172188 Amyas TRK C32200/4000/42W/80/A60	D220 x H240 ±1mm	4000	4455	42W	106	60°
172218 Amyas TRK C31800/BVF/27W/80/A20	D180 x H200 ±1mm	BVF	2065	27W	77	20°
172219 Amyas TRK C31800/FBS/27W/80/A20	D180 x H200 ±1mm	FBS	1635	27W	61	20°
172220 Amyas TRK C31800/FZM/27W/80/A20	D180 x H200 ±1mm	FZM	1530	27W	57	20°
172221 Amyas TRK C31800/FSM/27W/80/A20	D180 x H200 ±1mm	FSM	1530	27W	57	20°
172339 Amyas TRK C31800/FSH/27W/80/A20	D180 x H200 ±1mm	FSH	2250	27W	84	20°
172222 Amyas TRK C31800/BVF/27W/80/A30	D180 x H200 ±1mm	BVF	2065	27W	77	30°
172223 Amyas TRK C31800/FBS/27W/80/A30	D180 x H200 ±1mm	FBS	1635	27W	61	30°
172224 Amyas TRK C31800/FZM/27W/80/A30	D180 x H200 ±1mm	FZM	1530	27W	57	30°
172225 Amyas TRK C31800/FSM/27W/80/A30	D180 x H200 ±1mm	FSM	1530	27W	57	30°
172340 Amyas TRK C31800/FSH/27W/80/A30	D180 x H200 ±1mm	FSH	2250	27W	84	30°
172226 Amyas TRK C31800/BVF/27W/80/A45	D180 x H200 ±1mm	BVF	2065	27W	77	45°
172227 Amyas TRK C31800/FBS/27W/80/A45	D180 x H200 ±1mm	FBS	1635	27W	61	45°
172228 Amyas TRK C31800/FZM/27W/80/A45	D180 x H200 ±1mm	FZM	1530	27W	57	45°
172229 Amyas TRK C31800/FSM/27W/80/A45	D180 x H200 ±1mm	FSM	1530	27W	57	45°
172341 Amyas TRK C31800/FSH/27W/80/A45	D180 x H200 ±1mm	FSH	2250	27W	84	45°
172250 Amyas TRK C32200/BVF/27W/80/A15	D220 x H240 ±1mm	BVF	2065	27W	77	15°
172251 Amyas TRK C32200/FBS/27W/80/A15	D220 x H240 ±1mm	FBS	1635	27W	61	15°
172252 Amyas TRK C32200/FZM/27W/80/A15	D220 x H240 ±1mm	FZM	1530	27W	57	15°
172253 Amyas TRK C32200/FSM/27W/80/A15	D220 x H240 ±1mm	FSM	1530	27W	57	15°
172343 Amyas TRK C32200/FSH/27W/80/A15	D220 x H240 ±1mm	FSH	2250	27W	84	15°
172254 Amyas TRK C32200/BVF/27W/80/A30	D220 x H240 ±1mm	BVF	2065	27W	77	30°
172255 Amyas TRK C32200/FBS/27W/80/A30	D220 x H240 ±1mm	FBS	1635	27W	61	30°
172256 Amyas TRK C32200/FZM/27W/80/A30	D220 x H240 ±1mm	FZM	1530	27W	57	30°
172257 Amyas TRK C32200/FSM/27W/80/A30	D220 x H240 ±1mm	FSM	1530	27W	57	30°
172344 Amyas TRK C32200/FSH/27W/80/A30	D220 x H240 ±1mm	FSH	2250	27W	84	30°
172258 Amyas TRK C32200/BVF/27W/80/A45	D220 x H240 ±1mm	BVF	2065	27W	77	45°
172259 Amyas TRK C32200/FBS/27W/80/A45	D220 x H240 ±1mm	FBS	1635	27W	61	45°
172260 Amyas TRK C32200/FZM/27W/80/A45	D220 x H240 ±1mm	FZM	1530	27W	57	45°
172261 Amyas TRK C32200/FSM/27W/80/A45	D220 x H240 ±1mm	FSM	1530	27W	57	45°
172345 Amyas TRK C32200/FSH/27W/80/A45	D220 x H240 ±1mm	FSH	2250	27W	84	45°
172262 Amyas TRK C32200/BVF/27W/80/A60	D220 x H240 ±1mm	BVF	2065	27W	77	60°
172263 Amyas TRK C32200/FBS/27W/80/A60	D220 x H240 ±1mm	FBS	1635	27W	61	60°
172264 Amyas TRK C32200/FZM/27W/80/A60	D220 x H240 ±1mm	FZM	1530	27W	57	60°
172265 Amyas TRK C32200/FSM/27W/80/A60	D220 x H240 ±1mm	FSM	1530	27W	57	60°
172346 Amyas TRK C32200/FSH/27W/80/A60	D220 x H240 ±1mm	FSH	2250	27W	84	60°
172266 Amyas TRK C32200/BVF/35W/80/A15	D220 x H240 ±1mm	BVF	2590	35W	74	15°
172267 Amyas TRK C32200/FBS/35W/80/A15	D220 x H240 ±1mm	FBS	2115	35W	61	15°
172268 Amyas TRK C32200/FZM/35W/80/A15	D220 x H240 ±1mm	FZM	1980	35W	57	15°
172269 Amyas TRK C32200/FSM/35W/80/A15	D220 x H240 ±1mm	FSM	1980	35W	57	15°
172347 Amyas TRK C32200/FSH/35W/80/A15	D220 x H240 ±1mm	FSH	2755	35W	79	15°
172270 Amyas TRK C32200/BVF/35W/80/A30	D220 x H240 ±1mm	BVF	2590	35W	74	30°
172271 Amyas TRK C32200/FBS/35W/80/A30	D220 x H240 ±1mm	FBS	2115	35W	61	30°
172272 Amyas TRK C32200/FZM/35W/80/A30	D220 x H240 ±1mm	FZM	1980	35W	57	30°
172273 Amyas TRK C32200/FSM/35W/80/A30	D220 x H240 ±1mm	FSM	1980	35W	57	30°
172348 Amyas TRK C32200/FSH/35W/80/A30	D220 x H240 ±1mm	FSH	2755	35W	79	30°
172274 Amyas TRK C32200/BVF/35W/80/A45	D220 x H240 ±1mm	BVF	2590	35W	74	45°
172275 Amyas TRK C32200/FBS/35W/80/A45	D220 x H240 ±1mm	FBS	2115	35W	61	45°
172276 Amyas TRK C32200/FZM/35W/80/A45	D220 x H240 ±1mm	FZM	1980	35W	57	45°

SKU SPECIFICATIONS

Product Code	Dimensions (mm)	CCT (K)	Lumens (lm)	Power (W)	Eff. (lm/watt)	Lens Angle (°)
CRI 80						
172277 Amyas TRK C32200/FSM/35W/80/A45	D220 x H240 ±1mm	FSM	1980	35W	57	45°
172349 Amyas TRK C32200/FSH/35W/80/A45	D220 x H240 ±1mm	FSH	2755	35W	79	45°
172278 Amyas TRK C32200/BVF/35W/80/A60	D220 x H240 ±1mm	BVF	2590	35W	74	60°
172279 Amyas TRK C32200/FBS/35W/80/A60	D220 x H240 ±1mm	FBS	2115	35W	61	60°
172280 Amyas TRK C32200/FZM/35W/80/A60	D220 x H240 ±1mm	FZM	1980	35W	57	60°
172281 Amyas TRK C32200/FSM/35W/80/A60	D220 x H240 ±1mm	FSM	1980	35W	57	60°
172350 Amyas TRK C32200/FSH/35W/80/A60	D220 x H240 ±1mm	FSH	2755	35W	79	60°
172282 Amyas TRK C32200/BVF/42W/80/A15	D220 x H240 ±1mm	BVF	2870	42W	69	15°
172283 Amyas TRK C32200/FBS/42W/80/A15	D220 x H240 ±1mm	FBS	2450	42W	59	15°
172284 Amyas TRK C32200/FZM/42W/80/A15	D220 x H240 ±1mm	FZM	2325	42W	56	15°
172285 Amyas TRK C32200/FSM/42W/80/A15	D220 x H240 ±1mm	FSM	2325	42W	56	15°
172351 Amyas TRK C32200/FSH/42W/80/A15	D220 x H240 ±1mm	FSH	3155	42W	76	15°
172286 Amyas TRK C32200/BVF/42W/80/A30	D220 x H240 ±1mm	BVF	2870	42W	69	30°
172287 Amyas TRK C32200/FBS/42W/80/A30	D220 x H240 ±1mm	FBS	2450	42W	59	30°
172288 Amyas TRK C32200/FZM/42W/80/A30	D220 x H240 ±1mm	FZM	2325	42W	56	30°
172289 Amyas TRK C32200/FSM/42W/80/A30	D220 x H240 ±1mm	FSM	2325	42W	56	30°
172352 Amyas TRK C32200/FSH/42W/80/A30	D220 x H240 ±1mm	FSH	3155	42W	76	30°
172290 Amyas TRK C32200/BVF/42W/80/A45	D220 x H240 ±1mm	BVF	2870	42W	69	45°
172291 Amyas TRK C32200/FBS/42W/80/A45	D220 x H240 ±1mm	FBS	2450	42W	59	45°
172292 Amyas TRK C32200/FZM/42W/80/A45	D220 x H240 ±1mm	FZM	2325	42W	56	45°
172293 Amyas TRK C32200/FSM/42W/80/A45	D220 x H240 ±1mm	FSM	2325	42W	56	45°
172353 Amyas TRK C32200/FSH/42W/80/A45	D220 x H240 ±1mm	FSH	3155	42W	76	45°
172294 Amyas TRK C32200/BVF/42W/80/A60	D220 x H240 ±1mm	BVF	2870	42W	69	60°
172295 Amyas TRK C32200/FBS/42W/80/A60	D220 x H240 ±1mm	FBS	2450	42W	59	60°
172296 Amyas TRK C32200/FZM/42W/80/A60	D220 x H240 ±1mm	FZM	2325	42W	56	60°
172297 Amyas TRK C32200/FSM/42W/80/A60	D220 x H240 ±1mm	FSM	2325	42W	56	60°
172354 Amyas TRK C32200/FSH/42W/80/A60	D220 x H240 ±1mm	FSH	3155	42W	76	60°
172517 Amyas TRK C31400/BVF/20W/80/A10	D140 x H180 ±1mm	BVF	1540	20W	77	10°
172518 Amyas TRK C31400/FBS/20W/80/A10	D140 x H180 ±1mm	FBS	1220	20W	61	10°
172519 Amyas TRK C31400/FZM/20W/80/A10	D140 x H180 ±1mm	FZM	1140	20W	57	10°
172520 Amyas TRK C31400/FSM/20W/80/A10	D140 x H180 ±1mm	FSM	1140	20W	57	10°
172521 Amyas TRK C31400/FSH/20W/80/A10	D140 x H180 ±1mm	FSH	1680	20W	84	10°
172522 Amyas TRK C31400/BVF/20W/80/A24	D140 x H180 ±1mm	BVF	1540	20W	77	24°
172523 Amyas TRK C31400/FBS/20W/80/A24	D140 x H180 ±1mm	FBS	1220	20W	61	24°
172524 Amyas TRK C31400/FZM/20W/80/A24	D140 x H180 ±1mm	FZM	1140	20W	57	24°
172525 Amyas TRK C31400/FSM/20W/80/A24	D140 x H180 ±1mm	FSM	1140	20W	57	24°
172526 Amyas TRK C31400/FSH/20W/80/A24	D140 x H180 ±1mm	FSH	1680	20W	84	24°
172593 Amyas TRK C31400/BVF/20W/80/A55	D140 x H180 ±1mm	BVF	1540	20W	77	55°
172594 Amyas TRK C31400/FBS/20W/80/A55	D140 x H180 ±1mm	FBS	1220	20W	61	55°
172595 Amyas TRK C31400/FZM/20W/80/A55	D140 x H180 ±1mm	FZM	1140	20W	57	55°
172596 Amyas TRK C31400/FSM/20W/80/A55	D140 x H180 ±1mm	FSM	1140	20W	57	55°
172597 Amyas TRK C31400/FSH/20W/80/A55	D140 x H180 ±1mm	FSH	1680	20W	84	55°
172598 Amyas TRK C31400/AMB2200/14W/80/A10	D140 x H180 ±1mm	AMB2200	1020	14W	73	10°
172599 Amyas TRK C31400/AMB2200/14W/80/A24	D140 x H180 ±1mm	AMB2200	1020	14W	73	24°
172600 Amyas TRK C31400/AMB2200/14W/80/A55	D140 x H180 ±1mm	AMB2200	1020	14W	73	55°
172601 Amyas TRK C31400/AMB2200/20W/80/A10	D140 x H180 ±1mm	AMB2200	1410	20W	71	10°
172602 Amyas TRK C31400/AMB2200/20W/80/A24	D140 x H180 ±1mm	AMB2200	1410	20W	71	24°
172603 Amyas TRK C31400/AMB2200/20W/80/A55	D140 x H180 ±1mm	AMB2200	1410	20W	71	55°
172604 Amyas TRK C31800/AMB2200/14W/80/A20	D180 x H200 ±1mm	AMB2200	1020	14W	73	20°
172605 Amyas TRK C31800/AMB2200/14W/80/A30	D180 x H200 ±1mm	AMB2200	1020	14W	73	30°

SKU SPECIFICATIONS

Product Code	Dimensions (mm)	CCT (K)	Lumens (lm)	Power (W)	Eff. (lm/watt)	Lens Angle (°)
CRI 80						
172606 Amyas TRK C31800/AMB2200/14W/80/A45	D180 x H200 ±1mm	AMB2200	1020	14W	73	45°
172607 Amyas TRK C31800/AMB2200/14W/80/A55	D180 x H200 ±1mm	AMB2200	1020	14W	73	55°
172608 Amyas TRK C31800/AMB2200/20W/80/A20	D180 x H200 ±1mm	AMB2200	1410	20W	71	20°
172609 Amyas TRK C31800/AMB2200/20W/80/A30	D180 x H200 ±1mm	AMB2200	1410	20W	71	30°
172610 Amyas TRK C31800/AMB2200/20W/80/A45	D180 x H200 ±1mm	AMB2200	1410	20W	71	45°
172611 Amyas TRK C31800/AMB2200/20W/80/A55	D180 x H200 ±1mm	AMB2200	1410	20W	71	55°
172612 Amyas TRK C31800/AMB2200/27W/80/A20	D180 x H200 ±1mm	AMB2200	1870	27W	70	20°
172613 Amyas TRK C31800/AMB2200/27W/80/A30	D180 x H200 ±1mm	AMB2200	1870	27W	70	30°
172614 Amyas TRK C31800/AMB2200/27W/80/A45	D180 x H200 ±1mm	AMB2200	1870	27W	70	45°
172615 Amyas TRK C31800/AMB2200/27W/80/A55	D180 x H200 ±1mm	AMB2200	1870	27W	70	55°
172616 Amyas TRK C32200/AMB2200/14W/80/A15	D220 x H240 ±1mm	AMB2200	1020	14W	73	15°
172617 Amyas TRK C32200/AMB2200/14W/80/A30	D220 x H240 ±1mm	AMB2200	1020	14W	73	30°
172618 Amyas TRK C32200/AMB2200/14W/80/A45	D220 x H240 ±1mm	AMB2200	1020	14W	73	45°
172619 Amyas TRK C32200/AMB2200/14W/80/A60	D220 x H240 ±1mm	AMB2200	1020	14W	73	60°
172620 Amyas TRK C32200/AMB2200/20W/80/A15	D220 x H240 ±1mm	AMB2200	1410	20W	71	15°
172621 Amyas TRK C32200/AMB2200/20W/80/A30	D220 x H240 ±1mm	AMB2200	1410	20W	71	30°
172622 Amyas TRK C32200/AMB2200/20W/80/A45	D220 x H240 ±1mm	AMB2200	1410	20W	71	45°
172623 Amyas TRK C32200/AMB2200/20W/80/A60	D220 x H240 ±1mm	AMB2200	1410	20W	71	60°
172624 Amyas TRK C32200/AMB2200/27W/80/A15	D220 x H240 ±1mm	AMB2200	1870	27W	70	15°
172625 Amyas TRK C32200/AMB2200/27W/80/A30	D220 x H240 ±1mm	AMB2200	1870	27W	70	30°
172626 Amyas TRK C32200/AMB2200/27W/80/A45	D220 x H240 ±1mm	AMB2200	1870	27W	70	45°
172627 Amyas TRK C32200/AMB2200/27W/80/A60	D220 x H240 ±1mm	AMB2200	1870	27W	70	60°
172628 Amyas TRK C32200/AMB2200/35W/80/A15	D220 x H240 ±1mm	AMB2200	2585	35W	74	15°
172629 Amyas TRK C32200/AMB2200/35W/80/A30	D220 x H240 ±1mm	AMB2200	2585	35W	74	30°
172630 Amyas TRK C32200/AMB2200/35W/80/A45	D220 x H240 ±1mm	AMB2200	2585	35W	74	45°
172631 Amyas TRK C32200/AMB2200/35W/80/A60	D220 x H240 ±1mm	AMB2200	2585	35W	74	60°
172632 Amyas TRK C32200/AMB2200/42W/80/A15	D220 x H240 ±1mm	AMB2200	2930	42W	70	15°
172633 Amyas TRK C32200/AMB2200/42W/80/A30	D220 x H240 ±1mm	AMB2200	2930	42W	70	30°
172634 Amyas TRK C32200/AMB2200/42W/80/A45	D220 x H240 ±1mm	AMB2200	2930	42W	70	45°
172635 Amyas TRK C32200/AMB2200/42W/80/A60	D220 x H240 ±1mm	AMB2200	2930	42W	70	60°
CRI 93						
172403 Amyas TRK C31400/AGI3000/12W/93/A10	D140 x H180 ±1mm	AGI3000	735	12W	62	10°
172404 Amyas TRK C31400/AGI3500/12W/93/A10	D140 x H180 ±1mm	AGI3500	780	12W	65	10°
172405 Amyas TRK C31400/AGI4000/12W/93/A10	D140 x H180 ±1mm	AGI4000	830	12W	70	10°
172406 Amyas TRK C31400/AGI3000/12W/93/A24	D140 x H180 ±1mm	AGI3000	735	12W	62	24°
172407 Amyas TRK C31400/AGI3500/12W/93/A24	D140 x H180 ±1mm	AGI3500	780	12W	65	24°
172408 Amyas TRK C31400/AGI4000/12W/93/A24	D140 x H180 ±1mm	AGI4000	830	12W	70	24°
172409 Amyas TRK C31400/AGI3000/12W/93/A55	D140 x H180 ±1mm	AGI3000	735	12W	62	55°
172410 Amyas TRK C31400/AGI3500/12W/93/A55	D140 x H180 ±1mm	AGI3500	780	12W	65	55°
172411 Amyas TRK C31400/AGI4000/12W/93/A55	D140 x H180 ±1mm	AGI4000	830	12W	70	55°
172412 Amyas TRK C31400/AGI3000/17W/93/A10	D140 x H180 ±1mm	AGI3000	985	17W	58	10°
172413 Amyas TRK C31400/AGI3500/17W/93/A10	D140 x H180 ±1mm	AGI3500	1050	17W	62	10°
172414 Amyas TRK C31400/AGI4000/17W/93/A10	D140 x H180 ±1mm	AGI4000	1115	17W	66	10°
172415 Amyas TRK C31400/AGI3000/17W/93/A24	D140 x H180 ±1mm	AGI3000	985	17W	58	24°
172416 Amyas TRK C31400/AGI3500/17W/93/A24	D140 x H180 ±1mm	AGI3500	1050	17W	62	24°
172417 Amyas TRK C31400/AGI4000/17W/93/A24	D140 x H180 ±1mm	AGI4000	1115	17W	66	24°
172418 Amyas TRK C31400/AGI3000/17W/93/A55	D140 x H180 ±1mm	AGI3000	985	17W	58	55°
172419 Amyas TRK C31400/AGI3500/17W/93/A55	D140 x H180 ±1mm	AGI3500	1050	17W	62	55°
172420 Amyas TRK C31400/AGI4000/17W/93/A55	D140 x H180 ±1mm	AGI4000	1115	17W	66	55°

SKU SPECIFICATIONS

Product Code	Dimensions (mm)	CCT (K)	Lumens (lm)	Power (W)	Eff. (lm/watt)	Lens Angle (°)
CRI 93						
172421 Amyas TRK C31800/AGI3000/12W/93/A20	D180 x H200 ±1mm	AGI3000	735	12W	62	20°
172422 Amyas TRK C31800/AGI3500/12W/93/A20	D180 x H200 ±1mm	AGI3500	780	12W	65	20°
172423 Amyas TRK C31800/AGI4000/12W/93/A20	D180 x H200 ±1mm	AGI4000	830	12W	70	20°
172424 Amyas TRK C31800/AGI3000/12W/93/A30	D180 x H200 ±1mm	AGI3000	735	12W	62	30°
172425 Amyas TRK C31800/AGI3500/12W/93/A30	D180 x H200 ±1mm	AGI3500	780	12W	65	30°
172426 Amyas TRK C31800/AGI4000/12W/93/A30	D180 x H200 ±1mm	AGI4000	830	12W	70	30°
172427 Amyas TRK C31800/AGI3000/12W/93/A45	D180 x H200 ±1mm	AGI3000	735	12W	62	45°
172428 Amyas TRK C31800/AGI3500/12W/93/A45	D180 x H200 ±1mm	AGI3500	780	12W	65	45°
172429 Amyas TRK C31800/AGI4000/12W/93/A45	D180 x H200 ±1mm	AGI4000	830	12W	70	45°
172430 Amyas TRK C31800/AGI3000/12W/93/A55	D180 x H200 ±1mm	AGI3000	735	12W	62	55°
172431 Amyas TRK C31800/AGI3500/12W/93/A55	D180 x H200 ±1mm	AGI3500	780	12W	65	55°
172432 Amyas TRK C31800/AGI4000/12W/93/A55	D180 x H200 ±1mm	AGI4000	830	12W	70	55°
172433 Amyas TRK C31800/AGI3000/17W/93/A20	D180 x H200 ±1mm	AGI3000	985	17W	58	20°
172434 Amyas TRK C31800/AGI3500/17W/93/A20	D180 x H200 ±1mm	AGI3500	1050	17W	62	20°
172435 Amyas TRK C31800/AGI4000/17W/93/A20	D180 x H200 ±1mm	AGI4000	1115	17W	66	20°
172436 Amyas TRK C31800/AGI3000/17W/93/A30	D180 x H200 ±1mm	AGI3000	985	17W	58	30°
172437 Amyas TRK C31800/AGI3500/17W/93/A30	D180 x H200 ±1mm	AGI3500	1050	17W	62	30°
172438 Amyas TRK C31800/AGI4000/17W/93/A30	D180 x H200 ±1mm	AGI4000	1115	17W	66	30°
172439 Amyas TRK C31800/AGI3000/17W/93/A45	D180 x H200 ±1mm	AGI3000	985	17W	58	45°
172440 Amyas TRK C31800/AGI3500/17W/93/A45	D180 x H200 ±1mm	AGI3500	1050	17W	62	45°
172441 Amyas TRK C31800/AGI4000/17W/93/A45	D180 x H200 ±1mm	AGI4000	1115	17W	66	45°
172442 Amyas TRK C31800/AGI3000/17W/93/A55	D180 x H200 ±1mm	AGI3000	985	17W	58	55°
172443 Amyas TRK C31800/AGI3500/17W/93/A55	D180 x H200 ±1mm	AGI3500	1050	17W	62	55°
172444 Amyas TRK C31800/AGI4000/17W/93/A55	D180 x H200 ±1mm	AGI4000	1115	17W	66	55°
172445 Amyas TRK C31800/AGI3000/23W/93/A20	D180 x H200 ±1mm	AGI3000	1330	23W	58	20°
172446 Amyas TRK C31800/AGI3500/23W/93/A20	D180 x H200 ±1mm	AGI3500	1440	23W	63	20°
172447 Amyas TRK C31800/AGI4000/23W/93/A20	D180 x H200 ±1mm	AGI4000	1550	23W	68	20°
172448 Amyas TRK C31800/AGI3000/23W/93/A30	D180 x H200 ±1mm	AGI3000	1330	23W	58	30°
172449 Amyas TRK C31800/AGI3500/23W/93/A30	D180 x H200 ±1mm	AGI3500	1440	23W	63	30°
172450 Amyas TRK C31800/AGI4000/23W/93/A30	D180 x H200 ±1mm	AGI4000	1550	23W	68	30°
172451 Amyas TRK C31800/AGI3000/23W/93/A45	D180 x H200 ±1mm	AGI3000	1330	23W	58	45°
172452 Amyas TRK C31800/AGI3500/23W/93/A45	D180 x H200 ±1mm	AGI3500	1440	23W	63	45°
172453 Amyas TRK C31800/AGI4000/23W/93/A45	D180 x H200 ±1mm	AGI4000	1550	23W	68	45°
172454 Amyas TRK C31800/AGI3000/23W/93/A55	D180 x H200 ±1mm	AGI3000	1330	23W	58	55°
172455 Amyas TRK C31800/AGI3500/23W/93/A55	D180 x H200 ±1mm	AGI3500	1440	23W	63	55°
172456 Amyas TRK C31800/AGI4000/23W/93/A55	D180 x H200 ±1mm	AGI4000	1550	23W	68	55°
172457 Amyas TRK C32200/AGI3000/12W/93/A15	D220 x H240 ±1mm	AGI3000	735	12W	62	15°
172458 Amyas TRK C32200/AGI3500/12W/93/A15	D220 x H240 ±1mm	AGI3500	780	12W	65	15°
172459 Amyas TRK C32200/AGI4000/12W/93/A15	D220 x H240 ±1mm	AGI4000	830	12W	70	15°
172460 Amyas TRK C32200/AGI3000/12W/93/A30	D220 x H240 ±1mm	AGI3000	735	12W	62	30°
172461 Amyas TRK C32200/AGI3500/12W/93/A30	D220 x H240 ±1mm	AGI3500	780	12W	65	30°
172462 Amyas TRK C32200/AGI4000/12W/93/A30	D220 x H240 ±1mm	AGI4000	830	12W	70	30°
172463 Amyas TRK C32200/AGI3000/12W/93/A45	D220 x H240 ±1mm	AGI3000	735	12W	62	45°
172464 Amyas TRK C32200/AGI3500/12W/93/A45	D220 x H240 ±1mm	AGI3500	780	12W	65	45°
172465 Amyas TRK C32200/AGI4000/12W/93/A45	D220 x H240 ±1mm	AGI4000	830	12W	70	45°
172466 Amyas TRK C32200/AGI3000/12W/93/A60	D220 x H240 ±1mm	AGI3000	735	12W	62	60°
172467 Amyas TRK C32200/AGI3500/12W/93/A60	D220 x H240 ±1mm	AGI3500	780	12W	65	60°
172468 Amyas TRK C32200/AGI4000/12W/93/A60	D220 x H240 ±1mm	AGI4000	830	12W	70	60°
172469 Amyas TRK C32200/AGI3000/17W/93/A15	D220 x H240 ±1mm	AGI3000	985	17W	58	15°
172470 Amyas TRK C32200/AGI3500/17W/93/A15	D220 x H240 ±1mm	AGI3500	1050	17W	62	15°

SKU SPECIFICATIONS

Product Code	Dimensions (mm)	CCT (K)	Lumens (lm)	Power (W)	Eff. (lm/watt)	Lens Angle (°)
CRI 93						
172471 Amyas TRK C32200/AGI4000/17W/93/A15	D220 x H240 ±1mm	AGI4000	1115	17W	66	15°
172472 Amyas TRK C32200/AGI3000/17W/93/A30	D220 x H240 ±1mm	AGI3000	985	17W	58	30°
172473 Amyas TRK C32200/AGI3500/17W/93/A30	D220 x H240 ±1mm	AGI3500	1050	17W	62	30°
172474 Amyas TRK C32200/AGI4000/17W/93/A30	D220 x H240 ±1mm	AGI4000	1115	17W	66	30°
172475 Amyas TRK C32200/AGI3000/17W/93/A45	D220 x H240 ±1mm	AGI3000	985	17W	58	45°
172476 Amyas TRK C32200/AGI3500/17W/93/A45	D220 x H240 ±1mm	AGI3500	1050	17W	62	45°
172477 Amyas TRK C32200/AGI4000/17W/93/A45	D220 x H240 ±1mm	AGI4000	1115	17W	66	45°
172478 Amyas TRK C32200/AGI3000/17W/93/A60	D220 x H240 ±1mm	AGI3000	985	17W	58	60°
172479 Amyas TRK C32200/AGI3500/17W/93/A60	D220 x H240 ±1mm	AGI3500	1050	17W	62	60°
172480 Amyas TRK C32200/AGI4000/17W/93/A60	D220 x H240 ±1mm	AGI4000	1115	17W	66	60°
172481 Amyas TRK C32200/AGI3000/23W/93/A15	D220 x H240 ±1mm	AGI3000	1330	23W	58	15°
172482 Amyas TRK C32200/AGI3500/23W/93/A15	D220 x H240 ±1mm	AGI3500	1440	23W	63	15°
172483 Amyas TRK C32200/AGI4000/23W/93/A15	D220 x H240 ±1mm	AGI4000	1550	23W	68	15°
172484 Amyas TRK C32200/AGI3000/23W/93/A30	D220 x H240 ±1mm	AGI3000	1330	23W	58	30°
172485 Amyas TRK C32200/AGI3500/23W/93/A30	D220 x H240 ±1mm	AGI3500	1440	23W	63	30°
172486 Amyas TRK C32200/AGI4000/23W/93/A30	D220 x H240 ±1mm	AGI4000	1550	23W	68	30°
172487 Amyas TRK C32200/AGI3000/23W/93/A45	D220 x H240 ±1mm	AGI3000	1330	23W	58	45°
172488 Amyas TRK C32200/AGI3500/23W/93/A45	D220 x H240 ±1mm	AGI3500	1440	23W	63	45°
172489 Amyas TRK C32200/AGI4000/23W/93/A45	D220 x H240 ±1mm	AGI4000	1550	23W	68	45°
172490 Amyas TRK C32200/AGI3000/23W/93/A60	D220 x H240 ±1mm	AGI3000	1330	23W	58	60°
172491 Amyas TRK C32200/AGI3500/23W/93/A60	D220 x H240 ±1mm	AGI3500	1440	23W	63	60°
172492 Amyas TRK C32200/AGI4000/23W/93/A60	D220 x H240 ±1mm	AGI4000	1550	23W	68	60°
172493 Amyas TRK C32200/AGI3000/29W/93/A15	D220 x H240 ±1mm	AGI3000	1680	29W	58	15°
172494 Amyas TRK C32200/AGI3500/29W/93/A15	D220 x H240 ±1mm	AGI3500	1820	29W	63	15°
172495 Amyas TRK C32200/AGI4000/29W/93/A15	D220 x H240 ±1mm	AGI4000	1960	29W	68	15°
172496 Amyas TRK C32200/AGI3000/29W/93/A30	D220 x H240 ±1mm	AGI3000	1680	29W	58	30°
172497 Amyas TRK C32200/AGI3500/29W/93/A30	D220 x H240 ±1mm	AGI3500	1820	29W	63	30°
172498 Amyas TRK C32200/AGI4000/29W/93/A30	D220 x H240 ±1mm	AGI4000	1960	29W	68	30°
172499 Amyas TRK C32200/AGI3000/29W/93/A45	D220 x H240 ±1mm	AGI3000	1680	29W	58	45°
172500 Amyas TRK C32200/AGI3500/29W/93/A45	D220 x H240 ±1mm	AGI3500	1820	29W	63	45°
172501 Amyas TRK C32200/AGI4000/29W/93/A45	D220 x H240 ±1mm	AGI4000	1960	29W	68	45°
172502 Amyas TRK C32200/AGI3000/29W/93/A60	D220 x H240 ±1mm	AGI3000	1680	29W	58	60°
172503 Amyas TRK C32200/AGI3500/29W/93/A60	D220 x H240 ±1mm	AGI3500	1820	29W	63	60°
172504 Amyas TRK C32200/AGI4000/29W/93/A60	D220 x H240 ±1mm	AGI4000	1960	29W	68	60°
172505 Amyas TRK C32200/AGI3000/34W/93/A15	D220 x H240 ±1mm	AGI3000	1900	34W	56	15°
172506 Amyas TRK C32200/AGI3500/34W/93/A15	D220 x H240 ±1mm	AGI3500	1995	34W	59	15°
172507 Amyas TRK C32200/AGI4000/34W/93/A15	D220 x H240 ±1mm	AGI4000	2095	34W	62	15°
172508 Amyas TRK C32200/AGI3000/34W/93/A30	D220 x H240 ±1mm	AGI3000	1900	34W	56	30°
172509 Amyas TRK C32200/AGI3500/34W/93/A30	D220 x H240 ±1mm	AGI3500	1995	34W	59	30°
172510 Amyas TRK C32200/AGI4000/34W/93/A30	D220 x H240 ±1mm	AGI4000	2095	34W	62	30°
172511 Amyas TRK C32200/AGI3000/34W/93/A45	D220 x H240 ±1mm	AGI3000	1900	34W	56	45°
172512 Amyas TRK C32200/AGI3500/34W/93/A45	D220 x H240 ±1mm	AGI3500	1995	34W	59	45°
172513 Amyas TRK C32200/AGI4000/34W/93/A45	D220 x H240 ±1mm	AGI4000	2095	34W	62	45°
172514 Amyas TRK C32200/AGI3000/34W/93/A60	D220 x H240 ±1mm	AGI3000	1900	34W	56	60°
172515 Amyas TRK C32200/AGI3500/34W/93/A60	D220 x H240 ±1mm	AGI3500	1995	34W	59	60°
172516 Amyas TRK C32200/AGI4000/34W/93/A60	D220 x H240 ±1mm	AGI4000	2095	34W	62	60°
CRI 95						
172312 Amyas TRK C31800/FAS/27W/95/A20	D180 x H200 ±1mm	FAS	2080	27W	78	20°
172313 Amyas TRK C31800/FAS/27W/95/A30	D180 x H200 ±1mm	FAS	2080	27W	78	30°

SKU SPECIFICATIONS

Product Code	Dimensions (mm)	CCT (K)	Lumens (lm)	Power (W)	Eff. (lm/watt)	Lens Angle (°)
CRI 95						
172314 Amyas TRK C31800/FAS/27W/95/A45	D180 x H200 ±1mm	FAS	2080	27W	78	45°
172315 Amyas TRK C31800/FAS/27W/95/A55	D180 x H200 ±1mm	FAS	2080	27W	78	55°
172324 Amyas TRK C32200/FAS/27W/95/A15	D220 x H240 ±1mm	FAS	2080	27W	78	15°
172325 Amyas TRK C32200/FAS/27W/95/A30	D220 x H240 ±1mm	FAS	2080	27W	78	30°
172326 Amyas TRK C32200/FAS/27W/95/A45	D220 x H240 ±1mm	FAS	2080	27W	78	45°
172328 Amyas TRK C32200/FAS/35W/95/A15	D220 x H240 ±1mm	FAS	2535	35W	73	15°
172329 Amyas TRK C32200/FAS/35W/95/A30	D220 x H240 ±1mm	FAS	2535	35W	73	30°
172330 Amyas TRK C32200/FAS/35W/95/A45	D220 x H240 ±1mm	FAS	2535	35W	73	45°
172332 Amyas TRK C32200/FAS/42W/95/A15	D220 x H240 ±1mm	FAS	2930	42W	70	15°
172333 Amyas TRK C32200/FAS/42W/95/A30	D220 x H240 ±1mm	FAS	2930	42W	70	30°
172334 Amyas TRK C32200/FAS/42W/95/A45	D220 x H240 ±1mm	FAS	2930	42W	70	45°
CRI 98						
172375 Amyas TRK C31800/ART3000/27W/98/A20	D180 x H200 ±1mm	ART3000	1995	27W	74	20°
172376 Amyas TRK C31800/ART3000/27W/98/A30	D180 x H200 ±1mm	ART3000	1995	27W	74	30°
172377 Amyas TRK C31800/ART3000/27W/98/A45	D180 x H200 ±1mm	ART3000	1995	27W	74	45°
172378 Amyas TRK C31800/ART3000/27W/98/A55	D180 x H200 ±1mm	ART3000	1995	27W	74	55°
172391 Amyas TRK C32200/ART3000/27W/98/A15	D220 x H240 ±1mm	ART3000	1995	27W	74	15°
172392 Amyas TRK C32200/ART3000/27W/98/A30	D220 x H240 ±1mm	ART3000	1995	27W	74	30°
172393 Amyas TRK C32200/ART3000/27W/98/A45	D220 x H240 ±1mm	ART3000	1995	27W	74	45°
172394 Amyas TRK C32200/ART3000/27W/98/A60	D220 x H240 ±1mm	ART3000	1995	27W	74	60°
172395 Amyas TRK C32200/ART3000/35W/98/A15	D220 x H240 ±1mm	ART3000	2425	35W	70	15°
172396 Amyas TRK C32200/ART3000/35W/98/A30	D220 x H240 ±1mm	ART3000	2425	35W	70	30°
172397 Amyas TRK C32200/ART3000/35W/98/A45	D220 x H240 ±1mm	ART3000	2425	35W	70	45°
172398 Amyas TRK C32200/ART3000/35W/98/A60	D220 x H240 ±1mm	ART3000	2425	35W	70	60°
172399 Amyas TRK C32200/ART3000/42W/98/A15	D220 x H240 ±1mm	ART3000	2755	42W	66	15°
172400 Amyas TRK C32200/ART3000/42W/98/A30	D220 x H240 ±1mm	ART3000	2755	42W	66	30°
172401 Amyas TRK C32200/ART3000/42W/98/A45	D220 x H240 ±1mm	ART3000	2755	42W	66	45°
172402 Amyas TRK C32200/ART3000/42W/98/A60	D220 x H240 ±1mm	ART3000	2755	42W	66	60°

Technical specifications can be modified without prior notice. All information is property of Greentek Lighting.

The presentation picture is for information purposes only. Latest document update: July 15, 2022 3:51 PM. www.greentek.eu