

Galaxy Slim E TRK

Track Linear



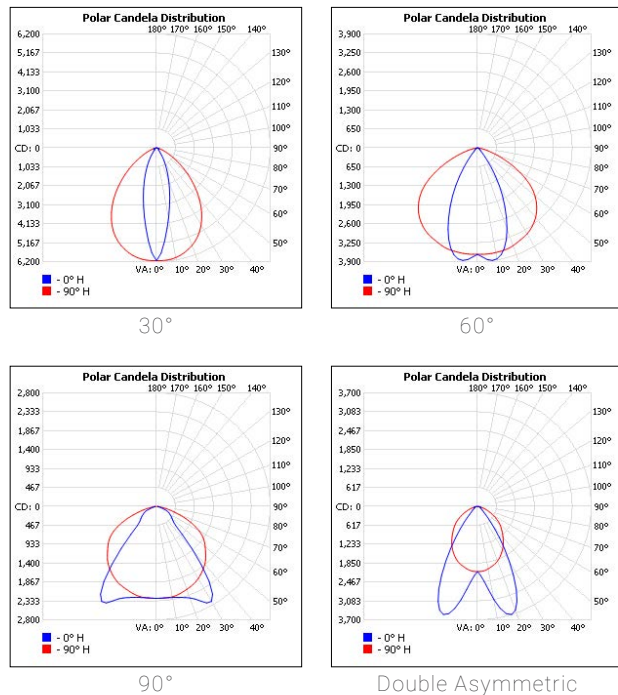
FEATURES & BENEFITS

- Form factors: 6R2, 6R3, 6R4, 6R5
- Three temperatures: 3000K, 4000K and 5000K
- Wide range of lens angle: 30°, 60°, 90° and Double Asymmetric
- Color rendering index: 80
- Efficiency @4000K: 135 lm/W

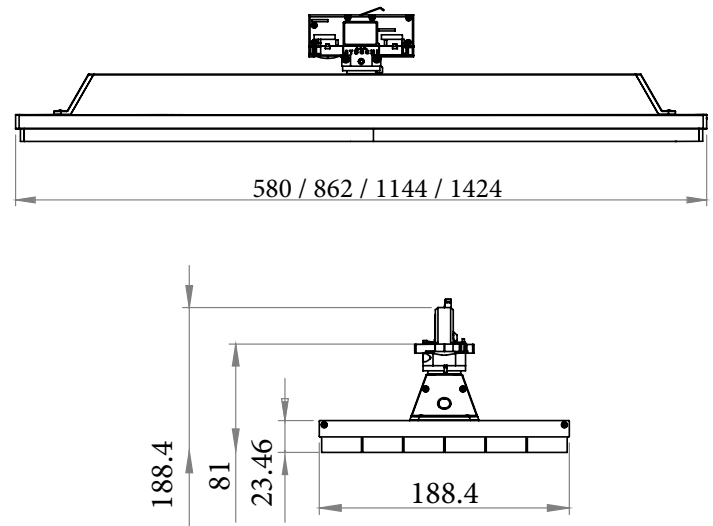
APPLICATIONS

Grocery & Supermarkets | Retail | Office | Healthcare | Industrial & Logistics | Hospitality | DIY

LIGHT DISTRIBUTION



TECHNICAL DRAW



SPECIFICATIONS

Power	77W, 97W, 115W	115W, 147W, 174W	153W, 193W, 232W	189W, 240W, 284W
Dimensions	580x188.4x81mm±1mm	862x188.4x81mm±1mm	1144x188.4x81mm±1mm	1424x188.4x81mm±1mm
Color Rendering	CRI80			
Housing materials	Aluminium, polycarbonate			
IK Code	IK04			
THD	<20%			
Protection Class	Safety class 1			
Operating temperature (°C)	-20°C...+55°C/-4F...+131F			
Operating humidity (%)	10 ÷ 85			
Power factor	≥0.9 (at 230 V / 50 Hz / driver full load)			
AC Input	220-240 VAC			
Color temperature	3000K, 4000K, 5000K			
Lens angle (°)	30°, 60°, 90°, DA			
Lifespan (h)	50000			
Housing color	Anodised grey, Anodised black			
Color consistency	MacAdam 4			
Lumen maintenance	L80/B20@50.000h at 25°C			
IP Rating	IP20			
Control option	-			
Warranty (years)	5 years			
Storage Temperature Range (°C)	-25°C...+55°C/-13F...+131F			
Efficiency @4000K	135 lm/W			
Luminous flux tolerance	+/- 5%			
Consumption tolerance	-/+ 5%			
Risk group	<p>RG0</p> <p>The evaluation of photobiological safety is carried out according to the standard IEC 62471:2008 ("Photobiological safety of lamps and lamp systems"). Following the definition of the risk grouping system of the mentioned IEC standard, the LEDs mounted on this family fall into the class "Exempt (RG0 – No photobiological hazard)". Under real circumstances (regarding exposure time, pupils, observation distance), it is assumed that there is no endangerment to the eye from these devices. As a matter of principle, however, it should be mentioned that intense light sources have a high secondary exposure potential due to their blinding effect.</p>			

MAXIMUM NO. OF LUMINAIRES ON A CIRCUIT

Luminaire Length	Control type	Circuit Breaker Type					
		B			C		
		20	16	10	20	16	10
5R2	Non-DALI	22	18	11	22	18	11
5R3	Non-DALI	15	12	7	15	12	7
5R4	Non-DALI	11	9	5	11	9	5
5R5	Non-DALI	9	7	4	9	7	4

SKU SPECIFICATIONS

Article Number	Dimensions (mm)	CCT (K)	Lumens (lm)	Power (W)	Efficiency (lm/watt)	Lens angle (degrees)	Weight (kg)
1E4144 Galaxy Slim E TRK SR 6R2 AL/3000/77W/80/TB	580 x 188.4 x 81 ± 1mm	3000	9695	77W	126	30	2.7 Kg
1E4145 Galaxy Slim E TRK SR 6R2 AL/4000/77W/80/TB	580 x 188.4 x 81 ± 1mm	4000	10225	77W	133	30	2.7 Kg
1E4146 Galaxy Slim E TRK SR 6R2 AL/5000/77W/80/TB	580 x 188.4 x 81 ± 1mm	5000	10375	77W	135	30	2.7 Kg
1E4147 Galaxy Slim E TRK SR 6R2 AL/3000/77W/80/NB	580 x 188.4 x 81 ± 1mm	3000	9805	77W	128	60	2.7 Kg
1E4148 Galaxy Slim E TRK SR 6R2 AL/4000/77W/80/NB	580 x 188.4 x 81 ± 1mm	4000	10335	77W	135	60	2.7 Kg
1E4149 Galaxy Slim E TRK SR 6R2 AL/5000/77W/80/NB	580 x 188.4 x 81 ± 1mm	5000	10490	77W	137	60	2.7 Kg
1E4150 Galaxy Slim E TRK SR 6R2 AL/3000/77W/80/WB	580 x 188.4 x 81 ± 1mm	3000	9805	77W	128	90	2.7 Kg
1E4151 Galaxy Slim E TRK SR 6R2 AL/4000/77W/80/WB	580 x 188.4 x 81 ± 1mm	4000	10335	77W	135	90	2.7 Kg
1E4152 Galaxy Slim E TRK SR 6R2 AL/5000/77W/80/WB	580 x 188.4 x 81 ± 1mm	5000	10490	77W	137	90	2.7 Kg
1E4153 Galaxy Slim E TRK SR 6R2 AL/3000/77W/80/DA	580 x 188.4 x 81 ± 1mm	3000	9675	77W	126	DA	2.7 Kg
1E4154 Galaxy Slim E TRK SR 6R2 AL/4000/77W/80/DA	580 x 188.4 x 81 ± 1mm	4000	10205	77W	133	DA	2.7 Kg
1E4155 Galaxy Slim E TRK SR 6R2 AL/5000/77W/80/DA	580 x 188.4 x 81 ± 1mm	5000	10355	77W	135	DA	2.7 Kg
1E4156 Galaxy Slim E TRK SR 6R2 AL/3000/97W/80/TB	580 x 188.4 x 81 ± 1mm	3000	11695	97W	121	30	2.7 Kg
1E4157 Galaxy Slim E TRK SR 6R2 AL/4000/97W/80/TB	580 x 188.4 x 81 ± 1mm	4000	12330	97W	128	30	2.7 Kg
1E4158 Galaxy Slim E TRK SR 6R2 AL/5000/97W/80/TB	580 x 188.4 x 81 ± 1mm	5000	12510	97W	129	30	2.7 Kg
1E4159 Galaxy Slim E TRK SR 6R2 AL/3000/97W/80/NB	580 x 188.4 x 81 ± 1mm	3000	11825	97W	122	60	2.7 Kg
1E4160 Galaxy Slim E TRK SR 6R2 AL/4000/97W/80/NB	580 x 188.4 x 81 ± 1mm	4000	12465	97W	129	60	2.7 Kg
1E4161 Galaxy Slim E TRK SR 6R2 AL/5000/97W/80/NB	580 x 188.4 x 81 ± 1mm	5000	12650	97W	131	60	2.7 Kg
1E4162 Galaxy Slim E TRK SR 6R2 AL/3000/97W/80/WB	580 x 188.4 x 81 ± 1mm	3000	11825	97W	122	90	2.7 Kg
1E4163 Galaxy Slim E TRK SR 6R2 AL/4000/97W/80/WB	580 x 188.4 x 81 ± 1mm	4000	12465	97W	129	90	2.7 Kg
1E4164 Galaxy Slim E TRK SR 6R2 AL/5000/97W/80/WB	580 x 188.4 x 81 ± 1mm	5000	12650	97W	131	90	2.7 Kg
1E4165 Galaxy Slim E TRK SR 6R2 AL/3000/97W/80/DA	580 x 188.4 x 81 ± 1mm	3000	11670	97W	121	DA	2.7 Kg
1E4166 Galaxy Slim E TRK SR 6R2 AL/4000/97W/80/DA	580 x 188.4 x 81 ± 1mm	4000	12305	97W	127	DA	2.7 Kg
1E4167 Galaxy Slim E TRK SR 6R2 AL/5000/97W/80/DA	580 x 188.4 x 81 ± 1mm	5000	12485	97W	129	DA	2.7 Kg
1E4168 Galaxy Slim E TRK SR 6R2 AL/3000/115W/80/TB	580 x 188.4 x 81 ± 1mm	3000	13290	115W	116	30	2.7 Kg
1E4169 Galaxy Slim E TRK SR 6R2 AL/4000/115W/80/TB	580 x 188.4 x 81 ± 1mm	4000	14010	115W	122	30	2.7 Kg
1E4170 Galaxy Slim E TRK SR 6R2 AL/5000/115W/80/TB	580 x 188.4 x 81 ± 1mm	5000	14220	115W	124	30	2.7 Kg
1E4171 Galaxy Slim E TRK SR 6R2 AL/3000/115W/80/NB	580 x 188.4 x 81 ± 1mm	3000	13440	115W	117	60	2.7 Kg
1E4172 Galaxy Slim E TRK SR 6R2 AL/4000/115W/80/NB	580 x 188.4 x 81 ± 1mm	4000	14165	115W	124	60	2.7 Kg
1E4173 Galaxy Slim E TRK SR 6R2 AL/5000/115W/80/NB	580 x 188.4 x 81 ± 1mm	5000	14375	115W	125	60	2.7 Kg
1E4174 Galaxy Slim E TRK SR 6R2 AL/3000/115W/80/WB	580 x 188.4 x 81 ± 1mm	3000	13440	115W	117	90	2.7 Kg
1E4175 Galaxy Slim E TRK SR 6R2 AL/4000/115W/80/WB	580 x 188.4 x 81 ± 1mm	4000	14165	115W	124	90	2.7 Kg
1E4176 Galaxy Slim E TRK SR 6R2 AL/5000/115W/80/WB	580 x 188.4 x 81 ± 1mm	5000	14375	115W	125	90	2.7 Kg
1E4177 Galaxy Slim E TRK SR 6R2 AL/3000/115W/80/DA	580 x 188.4 x 81 ± 1mm	3000	13265	115W	116	DA	2.7 Kg
1E4178 Galaxy Slim E TRK SR 6R2 AL/4000/115W/80/DA	580 x 188.4 x 81 ± 1mm	4000	13985	115W	122	DA	2.7 Kg
1E4179 Galaxy Slim E TRK SR 6R2 AL/5000/115W/80/DA	580 x 188.4 x 81 ± 1mm	5000	14190	115W	124	DA	2.7 Kg
1E4180 Galaxy Slim E TRK SR 6R3 AL/3000/115W/80/TB	862 x 188.4 x 81 ± 1mm	3000	14385	115W	126	30	4 Kg
1E4181 Galaxy Slim E TRK SR 6R3 AL/4000/115W/80/TB	862 x 188.4 x 81 ± 1mm	4000	15165	115W	132	30	4 Kg
1E4182 Galaxy Slim E TRK SR 6R3 AL/5000/115W/80/TB	862 x 188.4 x 81 ± 1mm	5000	15390	115W	134	30	4 Kg
1E4183 Galaxy Slim E TRK SR 6R3 AL/3000/115W/80/NB	862 x 188.4 x 81 ± 1mm	3000	14545	115W	127	60	4 Kg
1E4184 Galaxy Slim E TRK SR 6R3 AL/4000/115W/80/NB	862 x 188.4 x 81 ± 1mm	4000	15335	115W	134	60	4 Kg
1E4185 Galaxy Slim E TRK SR 6R3 AL/5000/115W/80/NB	862 x 188.4 x 81 ± 1mm	5000	15560	115W	136	60	4 Kg
1E4186 Galaxy Slim E TRK SR 6R3 AL/3000/115W/80/WB	862 x 188.4 x 81 ± 1mm	3000	14545	115W	127	90	4 Kg
1E4187 Galaxy Slim E TRK SR 6R3 AL/4000/115W/80/WB	862 x 188.4 x 81 ± 1mm	4000	15335	115W	134	90	4 Kg
1E4188 Galaxy Slim E TRK SR 6R3 AL/5000/115W/80/WB	862 x 188.4 x 81 ± 1mm	5000	15560	115W	136	90	4 Kg
1E4189 Galaxy Slim E TRK SR 6R3 AL/3000/115W/80/DA	862 x 188.4 x 81 ± 1mm	3000	14355	115W	125	DA	4 Kg
1E4190 Galaxy Slim E TRK SR 6R3 AL/4000/115W/80/DA	862 x 188.4 x 81 ± 1mm	4000	15135	115W	132	DA	4 Kg

Article Number	Dimensions (mm)	CCT (K)	Lumens (lm)	Power (W)	Efficiency (lm/watt)	Lens angle (degrees)	Weight (kg)
1E4191 Galaxy Slim E TRK SR 6R3 AL/5000/115W/80/DA	862 x 188.4 x 81 ± 1mm	5000	15360	115W	134	DA	4 Kg
1E4192 Galaxy Slim E TRK SR 6R3 AL/3000/147W/80/TB	862 x 188.4 x 81 ± 1mm	3000	17745	147W	121	30	4 Kg
1E4193 Galaxy Slim E TRK SR 6R3 AL/4000/147W/80/TB	862 x 188.4 x 81 ± 1mm	4000	18710	147W	128	30	4 Kg
1E4194 Galaxy Slim E TRK SR 6R3 AL/5000/147W/80/TB	862 x 188.4 x 81 ± 1mm	5000	18985	147W	130	30	4 Kg
1E4195 Galaxy Slim E TRK SR 6R3 AL/3000/147W/80/NB	862 x 188.4 x 81 ± 1mm	3000	17940	147W	123	60	4 Kg
1E4196 Galaxy Slim E TRK SR 6R3 AL/4000/147W/80/NB	862 x 188.4 x 81 ± 1mm	4000	18915	147W	129	60	4 Kg
1E4197 Galaxy Slim E TRK SR 6R3 AL/5000/147W/80/NB	862 x 188.4 x 81 ± 1mm	5000	19195	147W	131	60	4 Kg
1E4198 Galaxy Slim E TRK SR 6R3 AL/3000/147W/80/WB	862 x 188.4 x 81 ± 1mm	3000	17940	147W	123	90	4 Kg
1E4199 Galaxy Slim E TRK SR 6R3 AL/4000/147W/80/WB	862 x 188.4 x 81 ± 1mm	4000	18915	147W	129	90	4 Kg
1E4200 Galaxy Slim E TRK SR 6R3 AL/5000/147W/80/WB	862 x 188.4 x 81 ± 1mm	5000	19195	147W	131	90	4 Kg
1E4201 Galaxy Slim E TRK SR 6R3 AL/3000/147W/80/DA	862 x 188.4 x 81 ± 1mm	3000	17710	147W	121	DA	4 Kg
1E4202 Galaxy Slim E TRK SR 6R3 AL/4000/147W/80/DA	862 x 188.4 x 81 ± 1mm	4000	18670	147W	128	DA	4 Kg
1E4203 Galaxy Slim E TRK SR 6R3 AL/5000/147W/80/DA	862 x 188.4 x 81 ± 1mm	5000	18945	147W	129	DA	4 Kg
1E4204 Galaxy Slim E TRK SR 6R3 AL/3000/174W/80/TB	862 x 188.4 x 81 ± 1mm	3000	20195	174W	117	30	4 Kg
1E4205 Galaxy Slim E TRK SR 6R3 AL/4000/174W/80/TB	862 x 188.4 x 81 ± 1mm	4000	21295	174W	123	30	4 Kg
1E4206 Galaxy Slim E TRK SR 6R3 AL/5000/174W/80/TB	862 x 188.4 x 81 ± 1mm	5000	21610	174W	125	30	4 Kg
1E4207 Galaxy Slim E TRK SR 6R3 AL/3000/174W/80/NB	862 x 188.4 x 81 ± 1mm	3000	20420	174W	118	60	4 Kg
1E4208 Galaxy Slim E TRK SR 6R3 AL/4000/174W/80/NB	862 x 188.4 x 81 ± 1mm	4000	21530	174W	124	60	4 Kg
1E4209 Galaxy Slim E TRK SR 6R3 AL/5000/174W/80/NB	862 x 188.4 x 81 ± 1mm	5000	21850	174W	126	60	4 Kg
1E4210 Galaxy Slim E TRK SR 6R3 AL/3000/174W/80/WB	862 x 188.4 x 81 ± 1mm	3000	20420	174W	118	90	4 Kg
1E4211 Galaxy Slim E TRK SR 6R3 AL/4000/174W/80/WB	862 x 188.4 x 81 ± 1mm	4000	21530	174W	124	90	4 Kg
1E4212 Galaxy Slim E TRK SR 6R3 AL/5000/174W/80/WB	862 x 188.4 x 81 ± 1mm	5000	21850	174W	126	90	4 Kg
1E4213 Galaxy Slim E TRK SR 6R3 AL/3000/174W/80/DA	862 x 188.4 x 81 ± 1mm	3000	20155	174W	116	DA	4 Kg
1E4214 Galaxy Slim E TRK SR 6R3 AL/4000/174W/80/DA	862 x 188.4 x 81 ± 1mm	4000	21250	174W	123	DA	4 Kg
1E4215 Galaxy Slim E TRK SR 6R3 AL/5000/174W/80/DA	862 x 188.4 x 81 ± 1mm	5000	21565	174W	124	DA	4 Kg
1E4216 Galaxy Slim E TRK SR 6R4 AL/3000/153W/80/TB	1144 x 188.4 x 81 ± 1mm	3000	19315	153W	127	30	5.3 Kg
1E4217 Galaxy Slim E TRK SR 6R4 AL/4000/153W/80/TB	1144 x 188.4 x 81 ± 1mm	4000	20365	153W	134	30	5.3 Kg
1E4218 Galaxy Slim E TRK SR 6R4 AL/5000/153W/80/TB	1144 x 188.4 x 81 ± 1mm	5000	20665	153W	136	30	5.3 Kg
1E4219 Galaxy Slim E TRK SR 6R4 AL/3000/153W/80/NB	1144 x 188.4 x 81 ± 1mm	3000	19530	153W	128	60	5.3 Kg
1E4220 Galaxy Slim E TRK SR 6R4 AL/4000/153W/80/NB	1144 x 188.4 x 81 ± 1mm	4000	20590	153W	135	60	5.3 Kg
1E4221 Galaxy Slim E TRK SR 6R4 AL/5000/153W/80/NB	1144 x 188.4 x 81 ± 1mm	5000	20895	153W	137	60	5.3 Kg
1E4222 Galaxy Slim E TRK SR 6R4 AL/3000/153W/80/WB	1144 x 188.4 x 81 ± 1mm	3000	19530	153W	128	90	5.3 Kg
1E4223 Galaxy Slim E TRK SR 6R4 AL/4000/153W/80/WB	1144 x 188.4 x 81 ± 1mm	4000	20590	153W	135	90	5.3 Kg
1E4224 Galaxy Slim E TRK SR 6R4 AL/5000/153W/80/WB	1144 x 188.4 x 81 ± 1mm	5000	20895	153W	137	90	5.3 Kg
1E4225 Galaxy Slim E TRK SR 6R4 AL/3000/153W/80/DA	1144 x 188.4 x 81 ± 1mm	3000	19275	153W	126	DA	5.3 Kg
1E4226 Galaxy Slim E TRK SR 6R4 AL/4000/153W/80/DA	1144 x 188.4 x 81 ± 1mm	4000	20320	153W	133	DA	5.3 Kg
1E4227 Galaxy Slim E TRK SR 6R4 AL/5000/153W/80/DA	1144 x 188.4 x 81 ± 1mm	5000	20625	153W	135	DA	5.3 Kg
1E4228 Galaxy Slim E TRK SR 6R4 AL/3000/193W/80/TB	1144 x 188.4 x 81 ± 1mm	3000	23230	193W	121	30	5.3 Kg
1E4229 Galaxy Slim E TRK SR 6R4 AL/4000/193W/80/TB	1144 x 188.4 x 81 ± 1mm	4000	24495	193W	127	30	5.3 Kg
1E4230 Galaxy Slim E TRK SR 6R4 AL/5000/193W/80/TB	1144 x 188.4 x 81 ± 1mm	5000	24855	193W	129	30	5.3 Kg
1E4231 Galaxy Slim E TRK SR 6R4 AL/3000/193W/80/NB	1144 x 188.4 x 81 ± 1mm	3000	23490	193W	122	60	5.3 Kg
1E4232 Galaxy Slim E TRK SR 6R4 AL/4000/193W/80/NB	1144 x 188.4 x 81 ± 1mm	4000	24765	193W	129	60	5.3 Kg
1E4233 Galaxy Slim E TRK SR 6R4 AL/5000/193W/80/NB	1144 x 188.4 x 81 ± 1mm	5000	25130	193W	131	60	5.3 Kg
1E4234 Galaxy Slim E TRK SR 6R4 AL/3000/193W/80/WB	1144 x 188.4 x 81 ± 1mm	3000	23490	193W	122	90	5.3 Kg
1E4235 Galaxy Slim E TRK SR 6R4 AL/4000/193W/80/WB	1144 x 188.4 x 81 ± 1mm	4000	24765	193W	129	90	5.3 Kg
1E4236 Galaxy Slim E TRK SR 6R4 AL/5000/193W/80/WB	1144 x 188.4 x 81 ± 1mm	5000	25130	193W	131	90	5.3 Kg
1E4237 Galaxy Slim E TRK SR 6R4 AL/3000/193W/80/DA	1144 x 188.4 x 81 ± 1mm	3000	23185	193W	121	DA	5.3 Kg

Article Number	Dimensions (mm)	CCT (K)	Lumens (lm)	Power (W)	Efficiency (lm/watt)	Lens angle (degrees)	Weight (kg)
1E4238 Galaxy Slim E TRK SR 6R4 AL/4000/193W/80/DA	1144 x 188.4 x 81 ± 1mm	4000	24445	193W	127	DA	5.3 Kg
1E4239 Galaxy Slim E TRK SR 6R4 AL/5000/193W/80/DA	1144 x 188.4 x 81 ± 1mm	5000	24805	193W	129	DA	5.3 Kg
1E4240 Galaxy Slim E TRK SR 6R4 AL/3000/232W/80/TB	1144 x 188.4 x 81 ± 1mm	3000	26795	232W	116	30	5.3 Kg
1E4241 Galaxy Slim E TRK SR 6R4 AL/4000/232W/80/TB	1144 x 188.4 x 81 ± 1mm	4000	28250	232W	122	30	5.3 Kg
1E4242 Galaxy Slim E TRK SR 6R4 AL/5000/232W/80/TB	1144 x 188.4 x 81 ± 1mm	5000	28665	232W	124	30	5.3 Kg
1E4243 Galaxy Slim E TRK SR 6R4 AL/3000/232W/80/NB	1144 x 188.4 x 81 ± 1mm	3000	27090	232W	117	60	5.3 Kg
1E4244 Galaxy Slim E TRK SR 6R4 AL/4000/232W/80/NB	1144 x 188.4 x 81 ± 1mm	4000	28560	232W	124	60	5.3 Kg
1E4245 Galaxy Slim E TRK SR 6R4 AL/5000/232W/80/NB	1144 x 188.4 x 81 ± 1mm	5000	28985	232W	125	60	5.3 Kg
1E4246 Galaxy Slim E TRK SR 6R4 AL/3000/232W/80/WB	1144 x 188.4 x 81 ± 1mm	3000	27090	232W	117	90	5.3 Kg
1E4247 Galaxy Slim E TRK SR 6R4 AL/4000/232W/80/WB	1144 x 188.4 x 81 ± 1mm	4000	28560	232W	124	90	5.3 Kg
1E4248 Galaxy Slim E TRK SR 6R4 AL/5000/232W/80/WB	1144 x 188.4 x 81 ± 1mm	5000	28985	232W	125	90	5.3 Kg
1E4249 Galaxy Slim E TRK SR 6R4 AL/3000/232W/80/DA	1144 x 188.4 x 81 ± 1mm	3000	26740	232W	116	DA	5.3 Kg
1E4250 Galaxy Slim E TRK SR 6R4 AL/4000/232W/80/DA	1144 x 188.4 x 81 ± 1mm	4000	28190	232W	122	DA	5.3 Kg
1E4251 Galaxy Slim E TRK SR 6R4 AL/5000/232W/80/DA	1144 x 188.4 x 81 ± 1mm	5000	28610	232W	124	DA	5.3 Kg
1E4252 Galaxy Slim E TRK SR 6R5 AL/3000/189W/80/TB	1424 x 188.4 x 81 ± 1mm	3000	23685	189W	126	30	6.5 Kg
1E4253 Galaxy Slim E TRK SR 6R5 AL/4000/189W/80/TB	1424 x 188.4 x 81 ± 1mm	4000	24970	189W	133	30	6.5 Kg
1E4254 Galaxy Slim E TRK SR 6R5 AL/5000/189W/80/TB	1424 x 188.4 x 81 ± 1mm	5000	25340	189W	135	30	6.5 Kg
1E4255 Galaxy Slim E TRK SR 6R5 AL/3000/189W/80/NB	1424 x 188.4 x 81 ± 1mm	3000	23950	189W	127	60	6.5 Kg
1E4256 Galaxy Slim E TRK SR 6R5 AL/4000/189W/80/NB	1424 x 188.4 x 81 ± 1mm	4000	25250	189W	134	60	6.5 Kg
1E4257 Galaxy Slim E TRK SR 6R5 AL/5000/189W/80/NB	1424 x 188.4 x 81 ± 1mm	5000	25620	189W	136	60	6.5 Kg
1E4258 Galaxy Slim E TRK SR 6R5 AL/3000/189W/80/WB	1424 x 188.4 x 81 ± 1mm	3000	23950	189W	127	90	6.5 Kg
1E4259 Galaxy Slim E TRK SR 6R5 AL/4000/189W/80/WB	1424 x 188.4 x 81 ± 1mm	4000	25250	189W	134	90	6.5 Kg
1E4260 Galaxy Slim E TRK SR 6R5 AL/5000/189W/80/WB	1424 x 188.4 x 81 ± 1mm	5000	25620	189W	136	90	6.5 Kg
1E4261 Galaxy Slim E TRK SR 6R5 AL/3000/189W/80/DA	1424 x 188.4 x 81 ± 1mm	3000	23635	189W	126	DA	6.5 Kg
1E4262 Galaxy Slim E TRK SR 6R5 AL/4000/189W/80/DA	1424 x 188.4 x 81 ± 1mm	4000	24920	189W	132	DA	6.5 Kg
1E4263 Galaxy Slim E TRK SR 6R5 AL/5000/189W/80/DA	1424 x 188.4 x 81 ± 1mm	5000	25290	189W	134	DA	6.5 Kg
1E4264 Galaxy Slim E TRK SR 6R5 AL/3000/240W/80/TB	1424 x 188.4 x 81 ± 1mm	3000	28895	240W	121	30	6.5 Kg
1E4265 Galaxy Slim E TRK SR 6R5 AL/4000/240W/80/TB	1424 x 188.4 x 81 ± 1mm	4000	30465	240W	127	30	6.5 Kg
1E4266 Galaxy Slim E TRK SR 6R5 AL/5000/240W/80/TB	1424 x 188.4 x 81 ± 1mm	5000	30915	240W	129	30	6.5 Kg
1E4267 Galaxy Slim E TRK SR 6R5 AL/3000/240W/80/NB	1424 x 188.4 x 81 ± 1mm	3000	29220	240W	122	60	6.5 Kg
1E4268 Galaxy Slim E TRK SR 6R5 AL/4000/240W/80/NB	1424 x 188.4 x 81 ± 1mm	4000	30805	240W	129	60	6.5 Kg
1E4269 Galaxy Slim E TRK SR 6R5 AL/5000/240W/80/NB	1424 x 188.4 x 81 ± 1mm	5000	31260	240W	131	60	6.5 Kg
1E4270 Galaxy Slim E TRK SR 6R5 AL/3000/240W/80/WB	1424 x 188.4 x 81 ± 1mm	3000	29220	240W	122	90	6.5 Kg
1E4271 Galaxy Slim E TRK SR 6R5 AL/4000/240W/80/WB	1424 x 188.4 x 81 ± 1mm	4000	30805	240W	129	90	6.5 Kg
1E4272 Galaxy Slim E TRK SR 6R5 AL/5000/240W/80/WB	1424 x 188.4 x 81 ± 1mm	5000	31260	240W	131	90	6.5 Kg
1E4273 Galaxy Slim E TRK SR 6R5 AL/3000/240W/80/DA	1424 x 188.4 x 81 ± 1mm	3000	28840	240W	121	DA	6.5 Kg
1E4274 Galaxy Slim E TRK SR 6R5 AL/4000/240W/80/DA	1424 x 188.4 x 81 ± 1mm	4000	30405	240W	127	DA	6.5 Kg
1E4275 Galaxy Slim E TRK SR 6R5 AL/5000/240W/80/DA	1424 x 188.4 x 81 ± 1mm	5000	30855	240W	129	DA	6.5 Kg
1E4276 Galaxy Slim E TRK SR 6R5 AL/3000/284W/80/TB	1424 x 188.4 x 81 ± 1mm	3000	32890	284W	116	30	6.5 Kg
1E4277 Galaxy Slim E TRK SR 6R5 AL/4000/284W/80/TB	1424 x 188.4 x 81 ± 1mm	4000	34680	284W	123	30	6.5 Kg
1E4278 Galaxy Slim E TRK SR 6R5 AL/5000/284W/80/TB	1424 x 188.4 x 81 ± 1mm	5000	35190	284W	124	30	6.5 Kg
1E4279 Galaxy Slim E TRK SR 6R5 AL/3000/284W/80/NB	1424 x 188.4 x 81 ± 1mm	3000	33260	284W	118	60	6.5 Kg
1E4280 Galaxy Slim E TRK SR 6R5 AL/4000/284W/80/NB	1424 x 188.4 x 81 ± 1mm	4000	35065	284W	124	60	6.5 Kg
1E4281 Galaxy Slim E TRK SR 6R5 AL/5000/284W/80/NB	1424 x 188.4 x 81 ± 1mm	5000	35585	284W	126	60	6.5 Kg
1E4282 Galaxy Slim E TRK SR 6R5 AL/3000/284W/80/WB	1424 x 188.4 x 81 ± 1mm	3000	33260	284W	118	90	6.5 Kg
1E4283 Galaxy Slim E TRK SR 6R5 AL/4000/284W/80/WB	1424 x 188.4 x 81 ± 1mm	4000	35065	284W	124	90	6.5 Kg
1E4284 Galaxy Slim E TRK SR 6R5 AL/5000/284W/80/WB	1424 x 188.4 x 81 ± 1mm	5000	35585	284W	126	90	6.5 Kg

Article Number	Dimensions (mm)	CCT (K)	Lumens (lm)	Power (W)	Efficiency (lm/watt)	Lens angle (degrees)	Weight (kg)
1E4285 Galaxy Slim E TRK SR 6R5 AL/3000/284W/80/DA	1424 x 188.4 x 81 ± 1mm	3000	32825	284W	116	DA	6.5 Kg
1E4286 Galaxy Slim E TRK SR 6R5 AL/4000/284W/80/DA	1424 x 188.4 x 81 ± 1mm	4000	34610	284W	122	DA	6.5 Kg
1E4287 Galaxy Slim E TRK SR 6R5 AL/5000/284W/80/DA	1424 x 188.4 x 81 ± 1mm	5000	35120	284W	124	DA	6.5 Kg