



## Freya 2

### TRACK SPOTLIGHTS | NON-DALI SERIES

Freya 2 is a two LED framing projector, "mini" construction size. Equipped with a lens system for high quality accent lighting in museums and exhibition spaces. The objective lens is retractable from the spotlight housing to adjust the focus.

The low voltage adapter contains the electronics that converts constant voltage (48 V) to constant current for the luminaire. It rotates through 360°, pivots through 90°. Easy to mount without tools to the low voltage track.

Freya 2 has several series, determined by various add-on and controls:

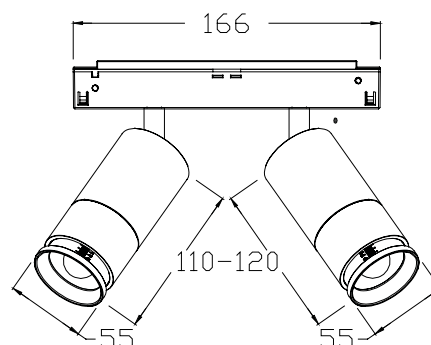
- Freya 2 Non-DALI: the standard for any project in the retail sector
- Freya 2 DALI: with DALI controls for illumination adjustment

### APPLICATION

Grocery & Supermarket | Retail | Art & Exhibition

### FEATURES & BENEFITS

- CRI > 80 as standard
- 4 color temperatures
- Long rated life: L90/B10@50.000h
- Luminaire efficiency: 130 lm/W @4000K
- Dimmable (only for DALI Series)



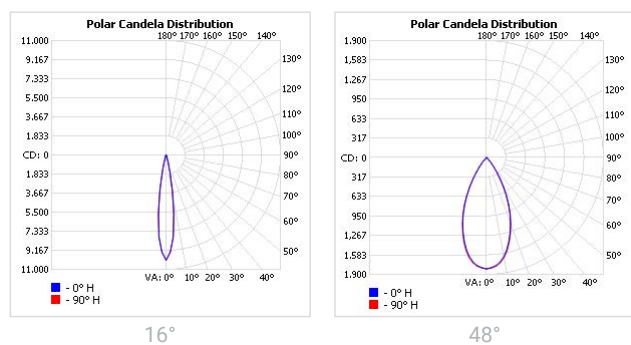
**SPECIFICATIONS**

Power consumption	10W, 18W, 26W
Dimensions	Ø55x110/120±1mm
Weight	1 Kg
Housing materials	Aluminium, Glass
IK code	IK02
Protection class	Safety class 1
Operating temperature [°C]	-20°C ... +45°C / -4F ... +113F
Operating humidity [%]	10 ÷ 85
AC Input [Vac]	48 Vdc
Lens angle [°]	16° - 48°
Lifespan [h]	50,000
Housing color	○ RAL 9016 - traffic white, ● RAL 9005 - jet black
Lumen maintenance	L90/B10@50.000h at 25°C
IP factor	IP20
Control optional	-
Warranty [years]	5
Storage temperature range [°C]	-20°C ... +55°C / -4F ... +131F
Emergency option	-

Light application	Standard
CRI	CRI 80
CCT [K]	2700K/3000K/3500K/4000K
MacAdam	3

CRI - Color rendering, CCT - Color temperature, MacAdam - Color consistency

**LIGHT DISTRIBUTION**



**RISK GROUP**

---

**RG1**

The evaluation of photobiological safety is carried out according to the standard IEC 62471:2008 ("Photobiological safety of lamps and lamp systems"). Following the definition of the risk grouping system of the mentioned IEC standard, the LEDs mounted on this family fall into the class "Low Risk (RG1 – No photobiological hazard under normal behavioral limitations)". Under real circumstances (regarding exposure time, pupils, observation distance), it is assumed that there is no endangerment to the eye from these devices. As a matter of principle, however, it should be mentioned that intense light sources have a high secondary exposure potential due to their blinding effect.

## SKU SPECIFICATIONS

Product Code	Dimensions (mm)	CCT (K)	Lumens (lm)	Power (W)	Eff. (lm/watt)	Lens Angle (°)
<b>CRI 80</b>						
1B0500 Freya 2M AG9110X2/2700/10W/80/AVAR	Ø55x110/120±1mm X2	2700	1180	10W	118	AVAR
1B0501 Freya 2M AG9110X2/3000/10W/80/AVAR	Ø55x110/120±1mm X2	3000	1240	10W	124	AVAR
1B0502 Freya 2M AG9110X2/3500/10W/80/AVAR	Ø55x110/120±1mm X2	3500	1280	10W	128	AVAR
1B0503 Freya 2M AG9110X2/4000/10W/80/AVAR	Ø55x110/120±1mm X2	4000	1300	10W	130	AVAR
1B0504 Freya 2M AG9110X2/2700/18W/80/AVAR	Ø55x110/120±1mm X2	2700	2100	18W	117	AVAR
1B0505 Freya 2M AG9110X2/3000/18W/80/AVAR	Ø55x110/120±1mm X2	3000	2200	18W	123	AVAR
1B0506 Freya 2M AG9110X2/3500/18W/80/AVAR	Ø55x110/120±1mm X2	3500	2260	18W	126	AVAR
1B0507 Freya 2M AG9110X2/4000/18W/80/AVAR	Ø55x110/120±1mm X2	4000	2310	18W	129	AVAR
1B0508 Freya 2M AG9110X2/2700/26W/80/AVAR	Ø55x110/120±1mm X2	2700	2840	26W	110	AVAR
1B0509 Freya 2M AG9110X2/3000/26W/80/AVAR	Ø55x110/120±1mm X2	3000	2990	26W	115	AVAR
1B0510 Freya 2M AG9110X2/3500/26W/80/AVAR	Ø55x110/120±1mm X2	3500	3070	26W	119	AVAR
1B0511 Freya 2M AG9110X2/4000/26W/80/AVAR	Ø55x110/120±1mm X2	4000	3140	26W	121	AVAR