



Dion UD

SURFACE MOUNTED | NON-DALI SERIES

This round shaped wall light provides beautiful accent lighting with direct/indirect distribution of the luminous flux.

It can offer 4 different color temperatures and the high quality build ensures optimal protection from dust and water while still delivering high efficiency.

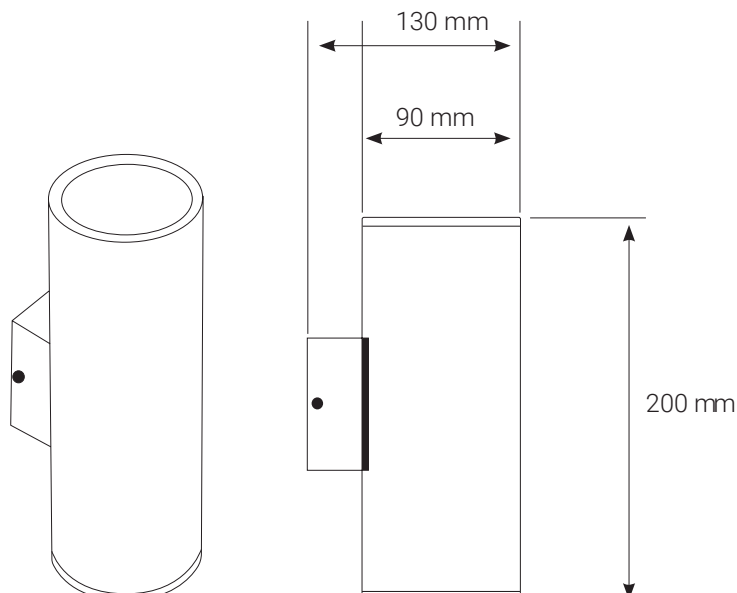
- Dion UD Non-DALI – the standard for any project

FEATURES & BENEFITS

- CRI \geq 80 as standard
- 4 color temperatures: 2700K, 3000K, 3500K, 4000K
- Long rated life: L90/B10 @50.000h
- High efficiency: 114 lm/w@4000K
- High ingress protection: IP54

APPLICATION

Grocery & Supermarket | Office | Healthcare | Hospitality | DIY



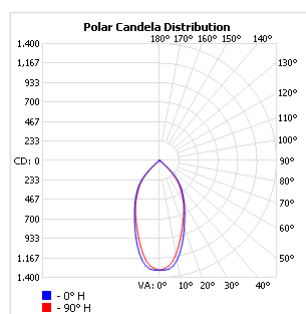
SPECIFICATIONS

Power consumption	28W, 40W, 56W
Dimensions	Ø90x260x130mm±1mm
Weight	1,7 Kg
Housing materials	Aluminium, Glass
IK code	IK04
THD (at 230V, 50Hz, Full load)	<10%
Protection class	Safety class 1
Operating temperature [°C]	-20°C ... +60°C / -4F...+140F
Operating humidity [%]	10 ÷ 85
Power factor	≥0.95
AC Input [Vac]	220 - 240 VAC
Lens angle [°]	55°
Lifespan [h]	50,000
Housing color	● RAL 9005 - jet black, ○ RAL 9003 - signal white
Lumen maintenance	L90/B10@50.000h at 25°C
IP factor	IP54
Control optional	-
Warranty [years]	5
Storage temperature range [°C]	-20°C ... +60°C / -4F ... +140F
Emergency option	-

Aplicații	Standard
CRI	CRI 80
CCT [K]	2700K/3000K/3500K/4000K
MacAdam	3

CRI - Color rendering, CCT - Color temperature, MacAdam - Color consistency

LIGHT DISTRIBUTION



A55

TOLERANCES**Luminous flux tolerances:** -/+ 5%**Consumption tolerance:** -/+ 5% for Non-DALI | -/+ 10% for Non-DALI & KIT EM | -/+ 10% for DALI | -/+ 15% for DALI & KIT EM**BATTERY WARRANTY****Non-DALI EM & DALI EM:** 12 months warranty**Non-DALI & DALI:** -**MAXIMUM NO. OF LUMINAIRES ON A CIRCUIT**

Power	Control type	Circuit Breaker Type						
		Amperage	B			C		
			20	16	10	20	16	10
12-21W	Non-DALI		62	50	31	104	85	52
23-35W	Non-DALI		30	24	14	51	40	24
42W	Non-DALI		20	16	8	38	32	16
50W	Non-DALI		18	15	7	35	29	15
12-14W	DALI		44	35	21	73	58	35
16-21W	DALI		40	32	18	66	53	30
23-42W	DALI		28	22	13	46	36	21
50W	DALI		21	16	10	35	26	16

RISK GROUP**Standard (CRI80)** RG1**FOOD (BVF, FBS, FSM)** RG1**FOOD <20W (FZM, FSH)** RG2 (dthr=1.8m)**FOOD >20W (FZM, FSH)** RG2 (dthr=2.2m)**FAS** RG1**AMB2200** RG1**ART** RG1**AGI** RG1**CRI90** RG1**CRI95** RG1**ENT** RG1**RG1**

The evaluation of photobiological safety is carried out according to the standard IEC 62471:2008 ("Photobiological safety of lamps and lamp systems"). Following the definition of the risk grouping system of the mentioned IEC standard, the LEDs mounted on this family fall into the class "Low Risk (RG1 – No photobiological hazard under normal behavioral limitations)". Under real circumstances (regarding exposure time, pupils, observation distance), it is assumed that there is no endangerment to the eye from these devices. As a matter of principle, however, it should be mentioned that intense light sources have a high secondary exposure potential due to their blinding effect.

RG2

The evaluation of photobiological safety is carried out according to the standard IEC 62471:2008 ("Photobiological safety of lamps and lamp systems"). Following the definition of the risk grouping system of the mentioned IEC standard, the LEDs mounted on this family fall into the class "Moderate Risk (RG2)". Under real circumstances (regarding exposure time, pupils, observation distance), it is assumed that there is no endangerment to the eye from these devices. As a matter of principle, however, it should be mentioned that intense light sources have a high secondary exposure potential due to their blinding effect.

SKU SPECIFICATIONS

Product Code	Dimensions (mm)	CCT (K)	Lumens (lm)	Power (W)	Eff. (lm/watt)	Lens Angle (°)
CRI 80						
196050 DionUD K41001-2-90/2700/28W/80	Ø90x260x130mm±1mm,	2700	3010	28W	108	55°
196051 DionUD K41001-2-90/3000/28W/80	Ø90x260x130mm±1mm,	3000	3040	28W	109	55°
196052 DionUD K41001-2-90/3500/28W/80	Ø90x260x130mm±1mm,	3500	3120	28W	112	55°
196053 DionUD K41001-2-90/4000/28W/80	Ø90x260x130mm±1mm,	4000	3180	28W	114	55°
196054 DionUD K41001-2-90/2700/40W/80	Ø90x260x130mm±1mm,	2700	3590	40W	90	55°
196055 DionUD K41001-2-90/3000/40W/80	Ø90x260x130mm±1mm,	3000	3620	40W	91	55°
196056 DionUD K41001-2-90/3500/40W/80	Ø90x260x130mm±1mm,	3500	3720	40W	93	55°
196057 DionUD K41001-2-90/4000/40W/80	Ø90x260x130mm±1mm,	4000	3800	40W	95	55°
196058 DionUD K41001-2-90/2700/56W/80	Ø90x260x130mm±1mm,	2700	5070	56W	91	55°
196059 DionUD K41001-2-90/3000/56W/80	Ø90x260x130mm±1mm,	3000	5120	56W	92	55°
196060 DionUD K41001-2-90/3500/56W/80	Ø90x260x130mm±1mm,	3500	5250	56W	94	55°
196061 DionUD K41001-2-90/4000/56W/80	Ø90x260x130mm±1mm,	4000	5360	56W	96	55°