



## Dion U

### SURFACE MOUNTED | NON-DALI SERIES

This round shaped wall light provides beautiful accent lighting with direct/indirect distribution of the luminous flux.

It can offer 4 different color temperatures and the high quality build ensures optimal protection from dust and water while still delivering high efficiency.

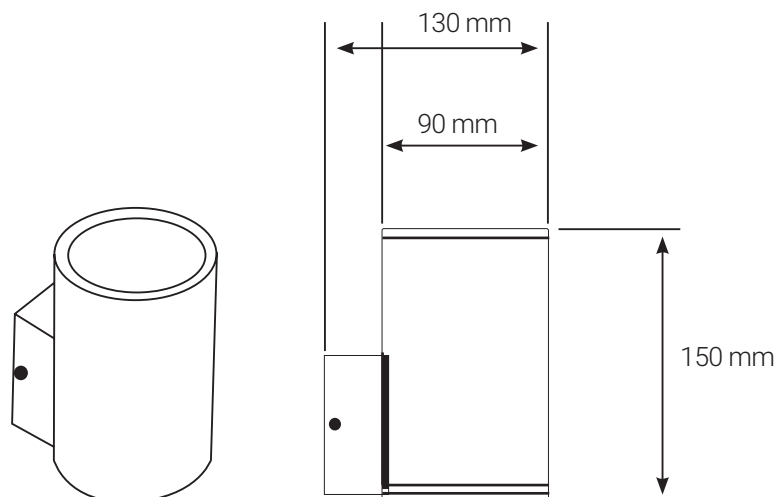
- Dion U Non-DALI – the standard for any project

### FEATURES & BENEFITS

- CRI  $\geq$  80 as standard
- 4 color temperatures: 2700K, 3000K, 3500K, 4000K
- Long rated life: L90/B10 @50.000h
- High efficiency: 114 lm/w@4000K
- High ingress protection: IP54

### APPLICATION

Grocery & Supermarket | Office | Healthcare | Hospitality | DIY



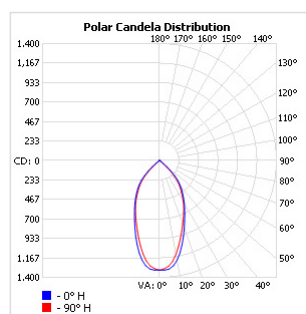
## SPECIFICATIONS

Power consumption	14W, 20W, 28W
Dimensions	Ø90x150x130mm±1mm,
Weight	1 Kg
Housing materials	Aluminium, Glass
IK code	IK04
THD (at 230V, 50Hz, Full load)	<10%
Protection class	Safety class 1
Operating temperature [°C]	-20°C ... +60°C / -4F...+140F
Operating humidity [%]	10 ÷ 85
Power factor	≥0.95
AC Input [Vac]	220 - 240 VAC
Lens angle [°]	55°
Lifespan [h]	50,000
Housing color	● RAL 9005 - jet black, ○ RAL 9003 - signal white
Lumen maintenance	L90/B10@50.000h at 25°C
IP factor	IP54
Control optional	-
Warranty [years]	5
Storage temperature range [°C]	-20°C ... +60°C / -4F ... +140F
Emergency option	-

Aplicații	Standard
CRI	CRI 80
CCT [K]	2700K/3000K/3500K/4000K
MacAdam	3

CRI - Color rendering, CCT - Color temperature, MacAdam - Color consistency

## LIGHT DISTRIBUTION



A55

**TOLERANCES****Luminous flux tolerances:** -/+ 5%**Consumption tolerance:** -/+ 5% for Non-DALI | -/+ 10% for Non-DALI & KIT EM | -/+ 10% for DALI | -/+ 15% for DALI & KIT EM**BATTERY WARRANTY****Non-DALI EM & DALI EM:** 12 months warranty**Non-DALI & DALI:** -**MAXIMUM NO. OF LUMINAIRES ON A CIRCUIT**

Power	Control type	Amperage	Circuit Breaker Type					
			B			C		
			20	16	10	20	16	10
12-21W	Non-DALI		62	50	31	104	85	52
23-35W	Non-DALI		30	24	14	51	40	24
42W	Non-DALI		20	16	8	38	32	16
50W	Non-DALI		18	15	7	35	29	15
12-14W	DALI		44	35	21	73	58	35
16-21W	DALI		40	32	18	66	53	30
23-42W	DALI		28	22	13	46	36	21
50W	DALI		21	16	10	35	26	16

**RISK GROUP****Standard (CRI80)** RG1**FOOD (BVF, FBS, FSM)** RG1**FOOD <20W (FZM, FSH)** RG2 (dthr=1.8m)**FOOD >20W (FZM, FSH)** RG2 (dthr=2.2m)**FAS** RG1**AMB2200** RG1**ART** RG1**AGI** RG1**CRI90** RG1**CRI95** RG1**ENT** RG1**RG1**

The evaluation of photobiological safety is carried out according to the standard IEC 62471:2008 ("Photobiological safety of lamps and lamp systems"). Following the definition of the risk grouping system of the mentioned IEC standard, the LEDs mounted on this family fall into the class "Low Risk (RG1 – No photobiological hazard under normal behavioral limitations)". Under real circumstances (regarding exposure time, pupils, observation distance), it is assumed that there is no endangerment to the eye from these devices. As a matter of principle, however, it should be mentioned that intense light sources have a high secondary exposure potential due to their blinding effect.

**RG2**

The evaluation of photobiological safety is carried out according to the standard IEC 62471:2008 ("Photobiological safety of lamps and lamp systems"). Following the definition of the risk grouping system of the mentioned IEC standard, the LEDs mounted on this family fall into the class "Moderate Risk (RG2)". Under real circumstances (regarding exposure time, pupils, observation distance), it is assumed that there is no endangerment to the eye from these devices. As a matter of principle, however, it should be mentioned that intense light sources have a high secondary exposure potential due to their blinding effect.

## SKU SPECIFICATIONS

Product Code	Dimensions (mm)	CCT (K)	Lumens (lm)	Power (W)	Eff. (lm/watt)	Lens Angle (°)
<b>CRI 80</b>						
196020 DionU K1101-90/2700/14W/80	Ø90x150x130mm±1mm,	2700	1505	14W	108	55°
196021 DionU K1101-90/3000/14W/80	Ø90x150x130mm±1mm,	3000	1520	14W	109	55°
196022 DionU K1101-90/3500/14W/80	Ø90x150x130mm±1mm,	3500	1560	14W	112	55°
196023 DionU K1101-90/4000/14W/80	Ø90x150x130mm±1mm,	4000	1590	14W	114	55°
196024 DionU K1101-90/2700/20W/80	Ø90x150x130mm±1mm,	2700	1795	20W	90	55°
196025 DionU K1101-90/3000/20W/80	Ø90x150x130mm±1mm,	3000	1810	20W	91	55°
196026 DionU K1101-90/3500/20W/80	Ø90x150x130mm±1mm,	3500	1860	20W	93	55°
196027 DionU K1101-90/4000/20W/80	Ø90x150x130mm±1mm,	4000	1900	20W	95	55°
196028 DionU K1101-90/2700/28W/80	Ø90x150x130mm±1mm,	2700	2535	28W	91	55°
196029 DionU K1101-90/3000/28W/80	Ø90x150x130mm±1mm,	3000	2560	28W	92	55°
196030 DionU K1101-90/3500/28W/80	Ø90x150x130mm±1mm,	3500	2625	28W	94	55°
196031 DionU K1101-90/4000/28W/80	Ø90x150x130mm±1mm,	4000	2680	28W	96	55°