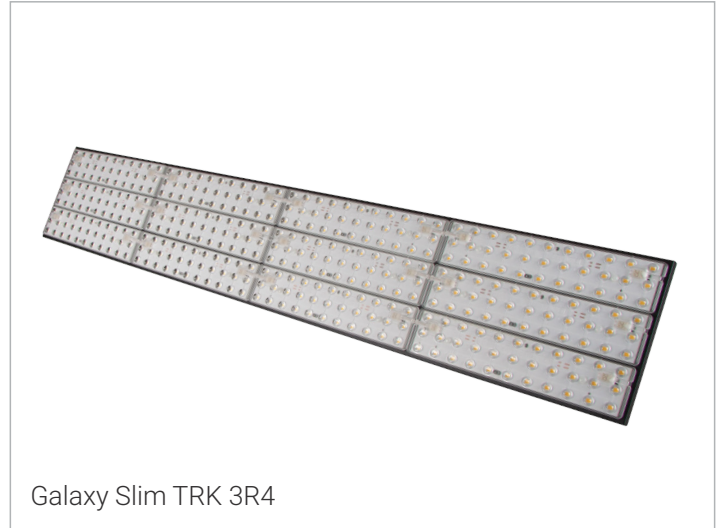




Galaxy Slim TRK 3R2



Galaxy Slim TRK 3R4

## Galaxy Slim TRK

### TRACK LINEAR | NON-DALI SERIES

An ultra-flat housing luminaire suitable for grocery & supermarket, and DIY applications. Available in different module combinations, with different lengths and types of optics - for a general lighting that amazes through its impressive efficiency and lighting quality ratings. Track mounted, depending on the ceiling height, the module combination and the need for a more specific light beam.

Galaxy Slim TRK has several series, determined by various add-on and controls:

- Galaxy Slim TRK Non-DALI: the standard for grocery stores & supermarkets and DIY
- Galaxy Slim TRK DALI: with DALI dimming

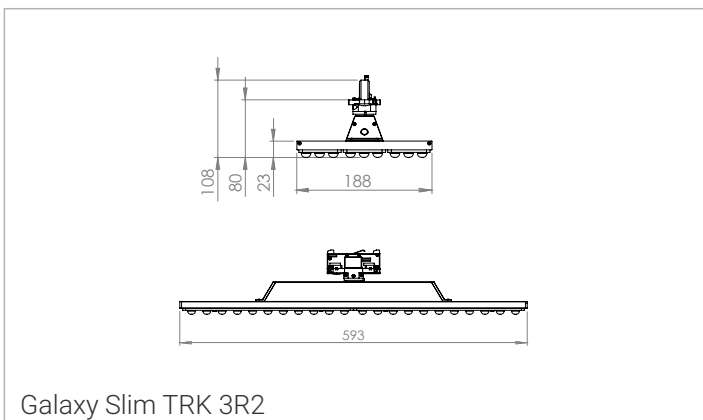
Galaxy Slim TRK is available in two form factors: 3R2 at 60 cm length and 3R4 at 120 cm length.

### APPLICATION

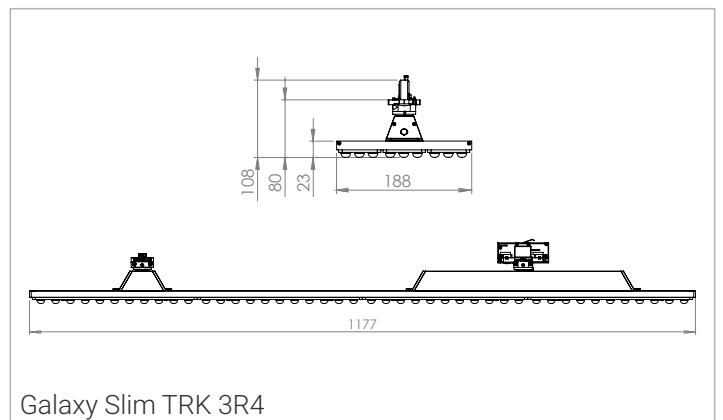
Grocery & Supermarket | Retail | DIY

### FEATURES & BENEFITS

- CRI 80 as standard
- 4 color temperatures: 3000K, 4000K, 5000K, 6500K
- Long rated life: L90/B10@50.000h
- Luminaire efficiency:  
171 lm/w @4000K for Galaxy Slim TRK 3R2 and  
169 lm/w @4000K for Galaxy Slim TRK 3R4



Galaxy Slim TRK 3R2



Galaxy Slim TRK 3R4

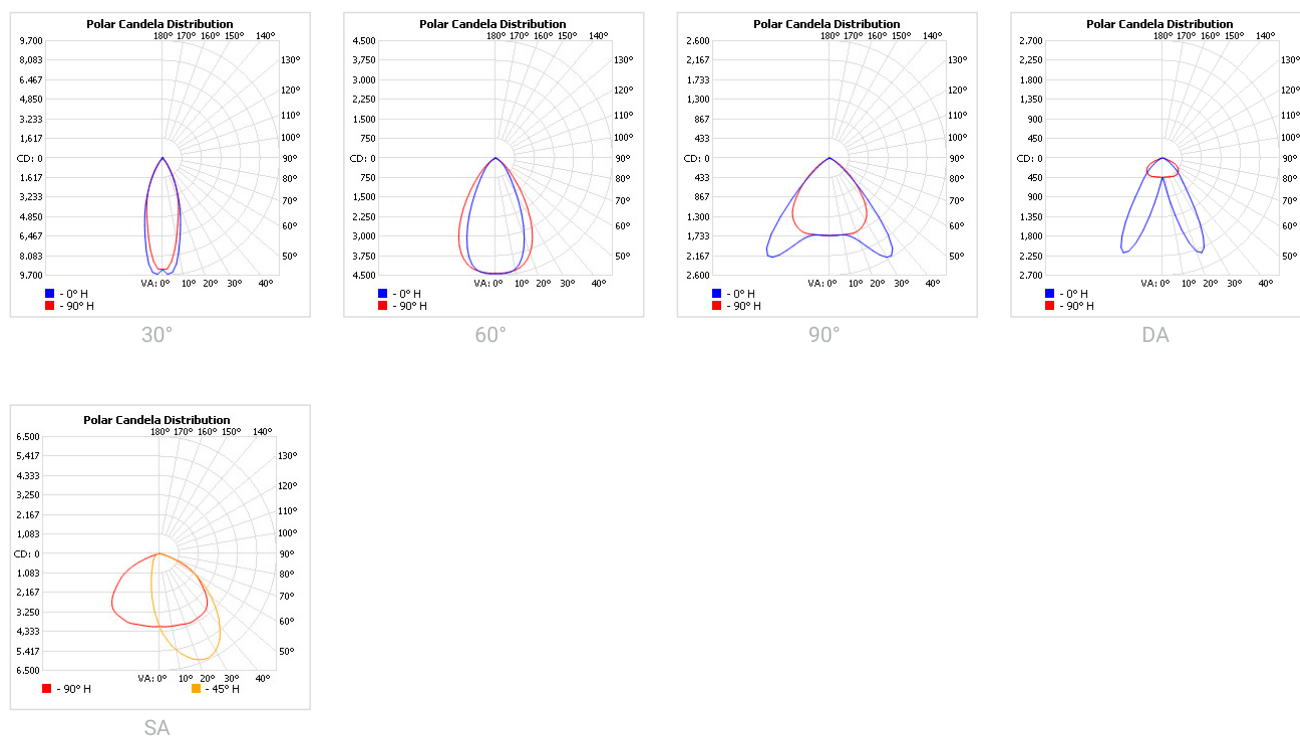
SPECIFICATIONS

Power consumption	28W, 37W, 49W, 60W, 70W	77W, 87W, 102W, 117W, 139W
Dimensions	592.6 x 188.6 x 81 ± 1mm	1176.6 x 188.6 x 81 ± 1mm
Weight	2.9 Kg	4.8 Kg
Housing materials	Aluminum & Polycarbonate	
IK code	IK02	
THD (at 230V, 50Hz, Full load)	<8%	<20%
Protection class	Safety class 1	
Operating temperature [°C]	-20°C ... +45°C / -4F ... +113F	
Operating humidity [%]	10 ÷ 85	
Power factor	≥0.95	
AC Input [Vac]	220 - 240 VAC	
Lens angle [°]	30°, 60°, 90°, DA, SA	
Lifespan [h]	50,000	
Housing color	● Anodised black, ● Anodised grey	
Lumen maintenance	L90/B10@50.000h at 25°C	
IP factor	IP20	
Control optional	-	
Warranty [years]	5	
Storage temperature range [°C]	-20°C ... +55°C / -4F ... +131F	
Emergency option	-	

#	Standard
CRI	CRI80
CCT [K]	3000 / 4000 / 5000 / 6500
MacAdam	4

CRI - Color rendering, CCT - Color temperature, MacAdam - Color consistency

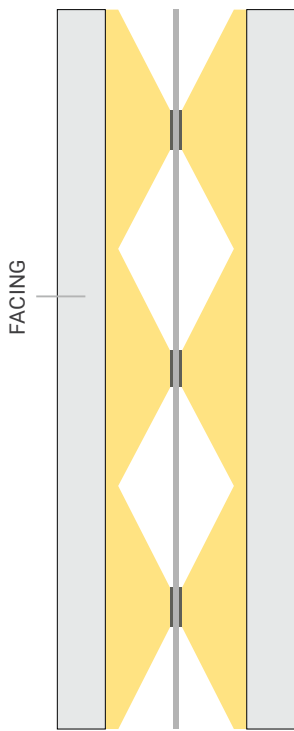
LIGHT DISTRIBUTION



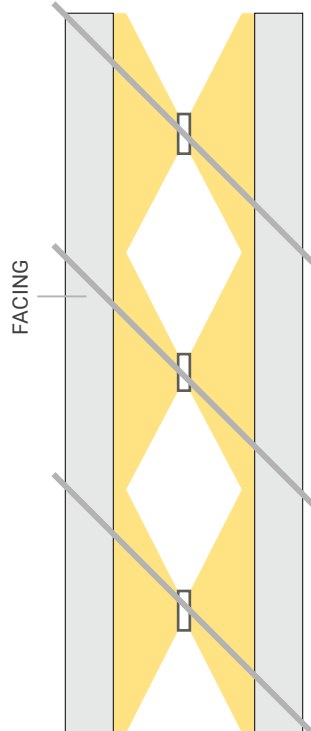
**MOUNTING TYPE**

Galaxy Slim can be mounted in a variety of ways, so that it accommodates any display shelving layout and any track layout.

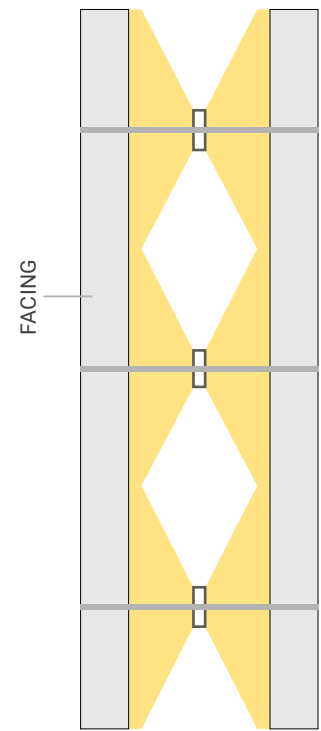
This high flexibility also takes into account and helps with future changes to shelves layout. Luminaires just have to be rotated, without specialized help.



Tracks parallel to facing  
3R2, 3R4

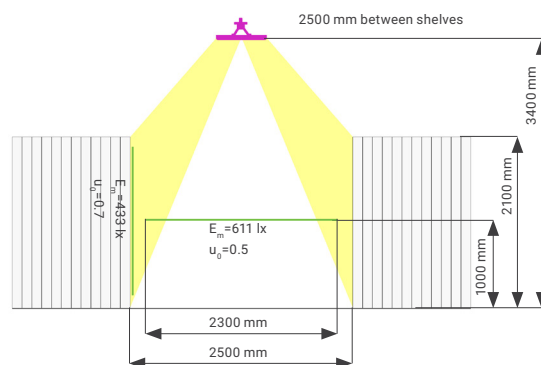
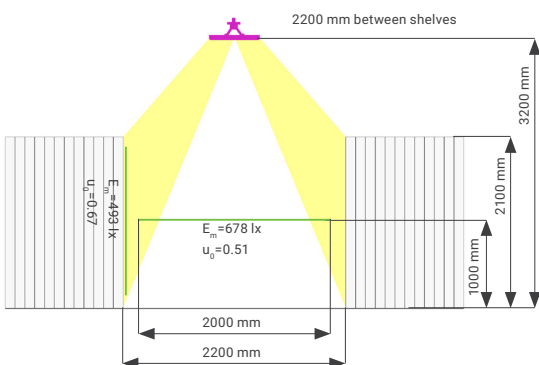
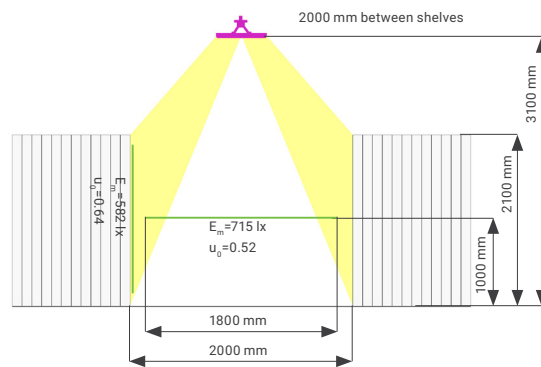
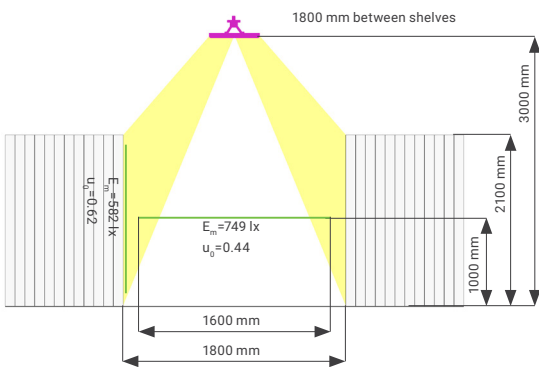


Tracks at 45° to facing  
3R2



Tracks at 90° to facing  
3R2

**AISLE CONFIGURATION**



**CONFIGURATION**  
Galaxy Slim TRK 3R2  
7180 lumens, 49W  
0,9 maintenance factor

**TOLERANCES****Luminous flux tolerances:** -/+ 5%**Consumption tolerance:** -/+ 5% for Non-DALI | -/+ 10% for Non-DALI & KIT EM | -/+ 10% for DALI | -/+ 15% for DALI & KIT EM**BATTERY WARRANTY****Non-DALI EM & DALI EM:** 12 months warranty**Non-DALI & DALI:** -**MAXIMUM NO. OF LUMINAIRES ON A CIRCUIT**

Luminaire Power [W]	Control type	Circuit Breaker Type					
		B			C		
		20	16	10	20	16	10
<50W	Non-DALI	38	30	19	62	51	31
≥ 50W	Non-DALI	38	30	19	62	51	31
<80W	DALI	27	21	13	45	35	21

**RISK GROUP****Standard (CRI80)** RG1**FOOD (BVF, FBS, FSM)** RG1**FOOD ≤35W (FZM, FSH)** RG1**FOOD >35W (FZM, FSH)** RG2**FAS** RG1**AMB2200** RG1**ART** RG1**AGI** RG1**CRI90** RG1**CRI95** RG1**ENT** RG1**RG1**

The evaluation of photobiological safety is carried out according to the standard IEC 62471:2008 ("Photobiological safety of lamps and lamp systems"). Following the definition of the risk grouping system of the mentioned IEC standard, the LEDs mounted on this family fall into the class "Low Risk (RG1 – No photobiological hazard under normal behavioral limitations)". Under real circumstances (regarding exposure time, pupils, observation distance), it is assumed that there is no endangerment to the eye from these devices. As a matter of principle, however, it should be mentioned that intense light sources have a high secondary exposure potential due to their blinding effect.

**RG2**

The evaluation of photobiological safety is carried out according to the standard IEC 62471:2008 ("Photobiological safety of lamps and lamp systems"). Following the definition of the risk grouping system of the mentioned IEC standard, the LEDs mounted on this family fall into the class "Moderate Risk (RG2)". Under real circumstances (regarding exposure time, pupils, observation distance), it is assumed that there is no endangerment to the eye from these devices. As a matter of principle, however, it should be mentioned that intense light sources have a high secondary exposure potential due to their blinding effect.

SKU SPECIFICATIONS

Product Code	Dimensions (mm)	CCT (K)	Lumens (lm)	Power (W)	Eff. (lm/watt)	Lens Angle (°)
<b>CRI 80</b>						
170500 Galaxy Slim TRK 3R2 AL/3000/28W/80/A3TB/B	592.6 x 188.6 x 81 ± 1mm	3000	4575	28W	164	30°
170500 Galaxy Slim TRK 3R2 AL/3000/28W/80/A3TB/G	592.6 x 188.6 x 81 ± 1mm	3000	4575	28W	164	30°
170501 Galaxy Slim TRK 3R2 AL/4000/28W/80/A3TB/B	592.6 x 188.6 x 81 ± 1mm	4000	4765	28W	171	30°
170501 Galaxy Slim TRK 3R2 AL/4000/28W/80/A3TB/G	592.6 x 188.6 x 81 ± 1mm	4000	4765	28W	171	30°
170502 Galaxy Slim TRK 3R2 AL/5000/28W/80/A3TB/B	592.6 x 188.6 x 81 ± 1mm	5000	4895	28W	175	30°
170502 Galaxy Slim TRK 3R2 AL/5000/28W/80/A3TB/G	592.6 x 188.6 x 81 ± 1mm	5000	4895	28W	175	30°
170503 Galaxy Slim TRK 3R2 AL/6500/28W/80/A3TB/B	592.6 x 188.6 x 81 ± 1mm	6500	4765	28W	171	30°
170503 Galaxy Slim TRK 3R2 AL/6500/28W/80/A3TB/G	592.6 x 188.6 x 81 ± 1mm	6500	4765	28W	171	30°
170504 Galaxy Slim TRK 3R2 AL/3000/28W/80/A3NB/B	592.6 x 188.6 x 81 ± 1mm	3000	4540	28W	163	60°
170504 Galaxy Slim TRK 3R2 AL/3000/28W/80/A3NB/G	592.6 x 188.6 x 81 ± 1mm	3000	4540	28W	163	60°
170505 Galaxy Slim TRK 3R2 AL/4000/28W/80/A3NB/B	592.6 x 188.6 x 81 ± 1mm	4000	4730	28W	169	60°
170505 Galaxy Slim TRK 3R2 AL/4000/28W/80/A3NB/G	592.6 x 188.6 x 81 ± 1mm	4000	4730	28W	169	60°
170506 Galaxy Slim TRK 3R2 AL/5000/28W/80/A3NB/B	592.6 x 188.6 x 81 ± 1mm	5000	4860	28W	174	60°
170506 Galaxy Slim TRK 3R2 AL/5000/28W/80/A3NB/G	592.6 x 188.6 x 81 ± 1mm	5000	4860	28W	174	60°
170507 Galaxy Slim TRK 3R2 AL/6500/28W/80/A3NB/B	592.6 x 188.6 x 81 ± 1mm	6500	4730	28W	169	60°
170507 Galaxy Slim TRK 3R2 AL/6500/28W/80/A3NB/G	592.6 x 188.6 x 81 ± 1mm	6500	4730	28W	169	60°
170508 Galaxy Slim TRK 3R2 AL/3000/28W/80/A3WB/B	592.6 x 188.6 x 81 ± 1mm	3000	4560	28W	163	90°
170508 Galaxy Slim TRK 3R2 AL/3000/28W/80/A3WB/G	592.6 x 188.6 x 81 ± 1mm	3000	4560	28W	163	90°
170509 Galaxy Slim TRK 3R2 AL/4000/28W/80/A3WB/B	592.6 x 188.6 x 81 ± 1mm	4000	4750	28W	170	90°
170509 Galaxy Slim TRK 3R2 AL/4000/28W/80/A3WB/G	592.6 x 188.6 x 81 ± 1mm	4000	4750	28W	170	90°
170510 Galaxy Slim TRK 3R2 AL/5000/28W/80/A3WB/B	592.6 x 188.6 x 81 ± 1mm	5000	4880	28W	175	90°
170510 Galaxy Slim TRK 3R2 AL/5000/28W/80/A3WB/G	592.6 x 188.6 x 81 ± 1mm	5000	4880	28W	175	90°
170511 Galaxy Slim TRK 3R2 AL/6500/28W/80/A3WB/B	592.6 x 188.6 x 81 ± 1mm	6500	4750	28W	170	90°
170511 Galaxy Slim TRK 3R2 AL/6500/28W/80/A3WB/G	592.6 x 188.6 x 81 ± 1mm	6500	4750	28W	170	90°
170512 Galaxy Slim TRK 3R2 AL/3000/28W/80/A3DA/B	592.6 x 188.6 x 81 ± 1mm	3000	4540	28W	163	DA
170512 Galaxy Slim TRK 3R2 AL/3000/28W/80/A3DA/G	592.6 x 188.6 x 81 ± 1mm	3000	4540	28W	163	DA
170513 Galaxy Slim TRK 3R2 AL/4000/28W/80/A3DA/B	592.6 x 188.6 x 81 ± 1mm	4000	4730	28W	169	DA
170513 Galaxy Slim TRK 3R2 AL/4000/28W/80/A3DA/G	592.6 x 188.6 x 81 ± 1mm	4000	4730	28W	169	DA
170514 Galaxy Slim TRK 3R2 AL/5000/28W/80/A3DA/B	592.6 x 188.6 x 81 ± 1mm	5000	4860	28W	174	DA
170514 Galaxy Slim TRK 3R2 AL/5000/28W/80/A3DA/G	592.6 x 188.6 x 81 ± 1mm	5000	4860	28W	174	DA
170515 Galaxy Slim TRK 3R2 AL/6500/28W/80/A3DA/B	592.6 x 188.6 x 81 ± 1mm	6500	4730	28W	169	DA
170515 Galaxy Slim TRK 3R2 AL/6500/28W/80/A3DA/G	592.6 x 188.6 x 81 ± 1mm	6500	4730	28W	169	DA
170516 Galaxy Slim TRK 3R2 AL/3000/28W/80/A3SA/B	592.6 x 188.6 x 81 ± 1mm	3000	4335	28W	155	SA
170516 Galaxy Slim TRK 3R2 AL/3000/28W/80/A3SA/G	592.6 x 188.6 x 81 ± 1mm	3000	4335	28W	155	SA
170517 Galaxy Slim TRK 3R2 AL/4000/28W/80/A3SA/B	592.6 x 188.6 x 81 ± 1mm	4000	4515	28W	162	SA
170517 Galaxy Slim TRK 3R2 AL/4000/28W/80/A3SA/G	592.6 x 188.6 x 81 ± 1mm	4000	4515	28W	162	SA
170518 Galaxy Slim TRK 3R2 AL/5000/28W/80/A3SA/B	592.6 x 188.6 x 81 ± 1mm	5000	4640	28W	166	SA
170518 Galaxy Slim TRK 3R2 AL/5000/28W/80/A3SA/G	592.6 x 188.6 x 81 ± 1mm	5000	4640	28W	166	SA
170519 Galaxy Slim TRK 3R2 AL/6500/28W/80/A3SA/B	592.6 x 188.6 x 81 ± 1mm	6500	4515	28W	162	SA
170519 Galaxy Slim TRK 3R2 AL/6500/28W/80/A3SA/G	592.6 x 188.6 x 81 ± 1mm	6500	4515	28W	162	SA
170520 Galaxy Slim TRK 3R2 AL/3000/37W/80/A3TB/B	592.6 x 188.6 x 81 ± 1mm	3000	5965	37W	162	30°
170520 Galaxy Slim TRK 3R2 AL/3000/37W/80/A3TB/G	592.6 x 188.6 x 81 ± 1mm	3000	5965	37W	162	30°
170521 Galaxy Slim TRK 3R2 AL/4000/37W/80/A3TB/B	592.6 x 188.6 x 81 ± 1mm	4000	6215	37W	168	30°
170521 Galaxy Slim TRK 3R2 AL/4000/37W/80/A3TB/G	592.6 x 188.6 x 81 ± 1mm	4000	6215	37W	168	30°
170522 Galaxy Slim TRK 3R2 AL/5000/37W/80/A3TB/B	592.6 x 188.6 x 81 ± 1mm	5000	6385	37W	173	30°
170522 Galaxy Slim TRK 3R2 AL/5000/37W/80/A3TB/G	592.6 x 188.6 x 81 ± 1mm	5000	6385	37W	173	30°
170523 Galaxy Slim TRK 3R2 AL/6500/37W/80/A3TB/B	592.6 x 188.6 x 81 ± 1mm	6500	6215	37W	168	30°
170523 Galaxy Slim TRK 3R2 AL/6500/37W/80/A3TB/G	592.6 x 188.6 x 81 ± 1mm	6500	6215	37W	168	30°
170524 Galaxy Slim TRK 3R2 AL/3000/37W/80/A3NB/B	592.6 x 188.6 x 81 ± 1mm	3000	5920	37W	160	60°
170524 Galaxy Slim TRK 3R2 AL/3000/37W/80/A3NB/G	592.6 x 188.6 x 81 ± 1mm	3000	5920	37W	160	60°
170525 Galaxy Slim TRK 3R2 AL/4000/37W/80/A3NB/B	592.6 x 188.6 x 81 ± 1mm	4000	6170	37W	167	60°
170525 Galaxy Slim TRK 3R2 AL/4000/37W/80/A3NB/G	592.6 x 188.6 x 81 ± 1mm	4000	6170	37W	167	60°

## SKU SPECIFICATIONS

Product Code	Dimensions (mm)	CCT (K)	Lumens (lm)	Power (W)	Eff. (lm/watt)	Lens Angle (°)
<b>CRI 80</b>						
170526 Galaxy Slim TRK 3R2 AL/5000/37W/80/A3NB/B	592.6 x 188.6 x 81 ± 1mm	5000	6335	37W	172	60°
170526 Galaxy Slim TRK 3R2 AL/5000/37W/80/A3NB/G	592.6 x 188.6 x 81 ± 1mm	5000	6335	37W	172	60°
170527 Galaxy Slim TRK 3R2 AL/6500/37W/80/A3NB/B	592.6 x 188.6 x 81 ± 1mm	6500	6170	37W	167	60°
170527 Galaxy Slim TRK 3R2 AL/6500/37W/80/A3NB/G	592.6 x 188.6 x 81 ± 1mm	6500	6170	37W	167	60°
170528 Galaxy Slim TRK 3R2 AL/3000/37W/80/A3WB/B	592.6 x 188.6 x 81 ± 1mm	3000	5945	37W	161	90°
170528 Galaxy Slim TRK 3R2 AL/3000/37W/80/A3WB/G	592.6 x 188.6 x 81 ± 1mm	3000	5945	37W	161	90°
170529 Galaxy Slim TRK 3R2 AL/4000/37W/80/A3WB/B	592.6 x 188.6 x 81 ± 1mm	4000	6200	37W	168	90°
170529 Galaxy Slim TRK 3R2 AL/4000/37W/80/A3WB/G	592.6 x 188.6 x 81 ± 1mm	4000	6200	37W	168	90°
170530 Galaxy Slim TRK 3R2 AL/5000/37W/80/A3WB/B	592.6 x 188.6 x 81 ± 1mm	5000	6365	37W	172	90°
170530 Galaxy Slim TRK 3R2 AL/5000/37W/80/A3WB/G	592.6 x 188.6 x 81 ± 1mm	5000	6365	37W	172	90°
170531 Galaxy Slim TRK 3R2 AL/6500/37W/80/A3WB/B	592.6 x 188.6 x 81 ± 1mm	6500	6200	37W	168	90°
170531 Galaxy Slim TRK 3R2 AL/6500/37W/80/A3WB/G	592.6 x 188.6 x 81 ± 1mm	6500	6200	37W	168	90°
170532 Galaxy Slim TRK 3R2 AL/3000/37W/80/A3DA/B	592.6 x 188.6 x 81 ± 1mm	3000	5920	37W	160	DA
170532 Galaxy Slim TRK 3R2 AL/3000/37W/80/A3DA/G	592.6 x 188.6 x 81 ± 1mm	3000	5920	37W	160	DA
170533 Galaxy Slim TRK 3R2 AL/4000/37W/80/A3DA/B	592.6 x 188.6 x 81 ± 1mm	4000	6170	37W	167	DA
170533 Galaxy Slim TRK 3R2 AL/4000/37W/80/A3DA/G	592.6 x 188.6 x 81 ± 1mm	4000	6170	37W	167	DA
170534 Galaxy Slim TRK 3R2 AL/5000/37W/80/A3DA/B	592.6 x 188.6 x 81 ± 1mm	5000	6335	37W	172	DA
170534 Galaxy Slim TRK 3R2 AL/5000/37W/80/A3DA/G	592.6 x 188.6 x 81 ± 1mm	5000	6335	37W	172	DA
170535 Galaxy Slim TRK 3R2 AL/6500/37W/80/A3DA/B	592.6 x 188.6 x 81 ± 1mm	6500	6170	37W	167	DA
170535 Galaxy Slim TRK 3R2 AL/6500/37W/80/A3DA/G	592.6 x 188.6 x 81 ± 1mm	6500	6170	37W	167	DA
170536 Galaxy Slim TRK 3R2 AL/3000/37W/80/A3SA/B	592.6 x 188.6 x 81 ± 1mm	3000	5650	37W	153	SA
170536 Galaxy Slim TRK 3R2 AL/3000/37W/80/A3SA/G	592.6 x 188.6 x 81 ± 1mm	3000	5650	37W	153	SA
170537 Galaxy Slim TRK 3R2 AL/4000/37W/80/A3SA/B	592.6 x 188.6 x 81 ± 1mm	4000	5890	37W	160	SA
170537 Galaxy Slim TRK 3R2 AL/4000/37W/80/A3SA/G	592.6 x 188.6 x 81 ± 1mm	4000	5890	37W	160	SA
170538 Galaxy Slim TRK 3R2 AL/5000/37W/80/A3SA/B	592.6 x 188.6 x 81 ± 1mm	5000	6050	37W	164	SA
170538 Galaxy Slim TRK 3R2 AL/5000/37W/80/A3SA/G	592.6 x 188.6 x 81 ± 1mm	5000	6050	37W	164	SA
170539 Galaxy Slim TRK 3R2 AL/6500/37W/80/A3SA/B	592.6 x 188.6 x 81 ± 1mm	6500	5890	37W	160	SA
170539 Galaxy Slim TRK 3R2 AL/6500/37W/80/A3SA/G	592.6 x 188.6 x 81 ± 1mm	6500	5890	37W	160	SA
170540 Galaxy Slim TRK 3R2 AL/3000/49W/80/A3TB/B	592.6 x 188.6 x 81 ± 1mm	3000	7915	49W	162	30°
170540 Galaxy Slim TRK 3R2 AL/3000/49W/80/A3TB/G	592.6 x 188.6 x 81 ± 1mm	3000	7915	49W	162	30°
170541 Galaxy Slim TRK 3R2 AL/4000/49W/80/A3TB/B	592.6 x 188.6 x 81 ± 1mm	4000	8250	49W	169	30°
170541 Galaxy Slim TRK 3R2 AL/4000/49W/80/A3TB/G	592.6 x 188.6 x 81 ± 1mm	4000	8250	49W	169	30°
170542 Galaxy Slim TRK 3R2 AL/5000/49W/80/A3TB/B	592.6 x 188.6 x 81 ± 1mm	5000	8470	49W	173	30°
170542 Galaxy Slim TRK 3R2 AL/5000/49W/80/A3TB/G	592.6 x 188.6 x 81 ± 1mm	5000	8470	49W	173	30°
170543 Galaxy Slim TRK 3R2 AL/6500/49W/80/A3TB/B	592.6 x 188.6 x 81 ± 1mm	6500	8250	49W	169	30°
170543 Galaxy Slim TRK 3R2 AL/6500/49W/80/A3TB/G	592.6 x 188.6 x 81 ± 1mm	6500	8250	49W	169	30°
170544 Galaxy Slim TRK 3R2 AL/3000/49W/80/A3NB/B	592.6 x 188.6 x 81 ± 1mm	3000	7855	49W	161	60°
170544 Galaxy Slim TRK 3R2 AL/3000/49W/80/A3NB/G	592.6 x 188.6 x 81 ± 1mm	3000	7855	49W	161	60°
170545 Galaxy Slim TRK 3R2 AL/4000/49W/80/A3NB/B	592.6 x 188.6 x 81 ± 1mm	4000	8190	49W	168	60°
170545 Galaxy Slim TRK 3R2 AL/4000/49W/80/A3NB/G	592.6 x 188.6 x 81 ± 1mm	4000	8190	49W	168	60°
170546 Galaxy Slim TRK 3R2 AL/5000/49W/80/A3NB/B	592.6 x 188.6 x 81 ± 1mm	5000	8410	49W	172	60°
170546 Galaxy Slim TRK 3R2 AL/5000/49W/80/A3NB/G	592.6 x 188.6 x 81 ± 1mm	5000	8410	49W	172	60°
170547 Galaxy Slim TRK 3R2 AL/6500/49W/80/A3NB/B	592.6 x 188.6 x 81 ± 1mm	6500	8190	49W	168	60°
170547 Galaxy Slim TRK 3R2 AL/6500/49W/80/A3NB/G	592.6 x 188.6 x 81 ± 1mm	6500	8190	49W	168	60°
170548 Galaxy Slim TRK 3R2 AL/3000/49W/80/A3WB/B	592.6 x 188.6 x 81 ± 1mm	3000	7895	49W	162	90°
170548 Galaxy Slim TRK 3R2 AL/3000/49W/80/A3WB/G	592.6 x 188.6 x 81 ± 1mm	3000	7895	49W	162	90°
170549 Galaxy Slim TRK 3R2 AL/4000/49W/80/A3WB/B	592.6 x 188.6 x 81 ± 1mm	4000	8225	49W	168	90°
170549 Galaxy Slim TRK 3R2 AL/4000/49W/80/A3WB/G	592.6 x 188.6 x 81 ± 1mm	4000	8225	49W	168	90°
170550 Galaxy Slim TRK 3R2 AL/5000/49W/80/A3WB/B	592.6 x 188.6 x 81 ± 1mm	5000	8450	49W	173	90°
170550 Galaxy Slim TRK 3R2 AL/5000/49W/80/A3WB/G	592.6 x 188.6 x 81 ± 1mm	5000	8450	49W	173	90°
170551 Galaxy Slim TRK 3R2 AL/6500/49W/80/A3WB/B	592.6 x 188.6 x 81 ± 1mm	6500	8225	49W	168	90°
170551 Galaxy Slim TRK 3R2 AL/6500/49W/80/A3WB/G	592.6 x 188.6 x 81 ± 1mm	6500	8225	49W	168	90°



SKU SPECIFICATIONS

Product Code	Dimensions (mm)	CCT (K)	Lumens (lm)	Power (W)	Eff. (lm/watt)	Lens Angle (°)
<b>CRI 80</b>						
170552 Galaxy Slim TRK 3R2 AL/3000/49W/80/A3DA/B	592.6 x 188.6 x 81 ± 1mm	3000	7855	49W	161	DA
170552 Galaxy Slim TRK 3R2 AL/3000/49W/80/A3DA/G	592.6 x 188.6 x 81 ± 1mm	3000	7855	49W	161	DA
170553 Galaxy Slim TRK 3R2 AL/4000/49W/80/A3DA/B	592.6 x 188.6 x 81 ± 1mm	4000	8190	49W	168	DA
170553 Galaxy Slim TRK 3R2 AL/4000/49W/80/A3DA/G	592.6 x 188.6 x 81 ± 1mm	4000	8190	49W	168	DA
170554 Galaxy Slim TRK 3R2 AL/5000/49W/80/A3DA/B	592.6 x 188.6 x 81 ± 1mm	5000	8410	49W	172	DA
170554 Galaxy Slim TRK 3R2 AL/5000/49W/80/A3DA/G	592.6 x 188.6 x 81 ± 1mm	5000	8410	49W	172	DA
170555 Galaxy Slim TRK 3R2 AL/6500/49W/80/A3DA/B	592.6 x 188.6 x 81 ± 1mm	6500	8190	49W	168	DA
170555 Galaxy Slim TRK 3R2 AL/6500/49W/80/A3DA/G	592.6 x 188.6 x 81 ± 1mm	6500	8190	49W	168	DA
170556 Galaxy Slim TRK 3R2 AL/3000/49W/80/A3SA/B	592.6 x 188.6 x 81 ± 1mm	3000	7500	49W	154	SA
170556 Galaxy Slim TRK 3R2 AL/3000/49W/80/A3SA/G	592.6 x 188.6 x 81 ± 1mm	3000	7500	49W	154	SA
170557 Galaxy Slim TRK 3R2 AL/4000/49W/80/A3SA/B	592.6 x 188.6 x 81 ± 1mm	4000	7820	49W	160	SA
170557 Galaxy Slim TRK 3R2 AL/4000/49W/80/A3SA/G	592.6 x 188.6 x 81 ± 1mm	4000	7820	49W	160	SA
170558 Galaxy Slim TRK 3R2 AL/5000/49W/80/A3SA/B	592.6 x 188.6 x 81 ± 1mm	5000	8030	49W	164	SA
170558 Galaxy Slim TRK 3R2 AL/5000/49W/80/A3SA/G	592.6 x 188.6 x 81 ± 1mm	5000	8030	49W	164	SA
170559 Galaxy Slim TRK 3R2 AL/6500/49W/80/A3SA/B	592.6 x 188.6 x 81 ± 1mm	6500	7820	49W	160	SA
170559 Galaxy Slim TRK 3R2 AL/6500/49W/80/A3SA/G	592.6 x 188.6 x 81 ± 1mm	6500	7820	49W	160	SA
170560 Galaxy Slim TRK 3R2 AL/3000/60W/80/A3TB/B	592.6 x 188.6 x 81 ± 1mm	3000	9305	60W	156	30°
170560 Galaxy Slim TRK 3R2 AL/3000/60W/80/A3TB/G	592.6 x 188.6 x 81 ± 1mm	3000	9305	60W	156	30°
170561 Galaxy Slim TRK 3R2 AL/4000/60W/80/A3TB/B	592.6 x 188.6 x 81 ± 1mm	4000	9695	60W	162	30°
170561 Galaxy Slim TRK 3R2 AL/4000/60W/80/A3TB/G	592.6 x 188.6 x 81 ± 1mm	4000	9695	60W	162	30°
170562 Galaxy Slim TRK 3R2 AL/5000/60W/80/A3TB/B	592.6 x 188.6 x 81 ± 1mm	5000	9960	60W	166	30°
170562 Galaxy Slim TRK 3R2 AL/5000/60W/80/A3TB/G	592.6 x 188.6 x 81 ± 1mm	5000	9960	60W	166	30°
170563 Galaxy Slim TRK 3R2 AL/6500/60W/80/A3TB/B	592.6 x 188.6 x 81 ± 1mm	6500	9695	60W	162	30°
170563 Galaxy Slim TRK 3R2 AL/6500/60W/80/A3TB/G	592.6 x 188.6 x 81 ± 1mm	6500	9695	60W	162	30°
170564 Galaxy Slim TRK 3R2 AL/3000/60W/80/A3NB/B	592.6 x 188.6 x 81 ± 1mm	3000	9235	60W	154	60°
170564 Galaxy Slim TRK 3R2 AL/3000/60W/80/A3NB/G	592.6 x 188.6 x 81 ± 1mm	3000	9235	60W	154	60°
170565 Galaxy Slim TRK 3R2 AL/4000/60W/80/A3NB/B	592.6 x 188.6 x 81 ± 1mm	4000	9625	60W	161	60°
170565 Galaxy Slim TRK 3R2 AL/4000/60W/80/A3NB/G	592.6 x 188.6 x 81 ± 1mm	4000	9625	60W	161	60°
170566 Galaxy Slim TRK 3R2 AL/5000/60W/80/A3NB/B	592.6 x 188.6 x 81 ± 1mm	5000	9885	60W	165	60°
170566 Galaxy Slim TRK 3R2 AL/5000/60W/80/A3NB/G	592.6 x 188.6 x 81 ± 1mm	5000	9885	60W	165	60°
170567 Galaxy Slim TRK 3R2 AL/6500/60W/80/A3NB/B	592.6 x 188.6 x 81 ± 1mm	6500	9625	60W	161	60°
170567 Galaxy Slim TRK 3R2 AL/6500/60W/80/A3NB/G	592.6 x 188.6 x 81 ± 1mm	6500	9625	60W	161	60°
170568 Galaxy Slim TRK 3R2 AL/3000/60W/80/A3WB/B	592.6 x 188.6 x 81 ± 1mm	3000	9275	60W	155	90°
170568 Galaxy Slim TRK 3R2 AL/3000/60W/80/A3WB/G	592.6 x 188.6 x 81 ± 1mm	3000	9275	60W	155	90°
170569 Galaxy Slim TRK 3R2 AL/4000/60W/80/A3WB/B	592.6 x 188.6 x 81 ± 1mm	4000	9670	60W	162	90°
170569 Galaxy Slim TRK 3R2 AL/4000/60W/80/A3WB/G	592.6 x 188.6 x 81 ± 1mm	4000	9670	60W	162	90°
170570 Galaxy Slim TRK 3R2 AL/5000/60W/80/A3WB/B	592.6 x 188.6 x 81 ± 1mm	5000	9930	60W	166	90°
170570 Galaxy Slim TRK 3R2 AL/5000/60W/80/A3WB/G	592.6 x 188.6 x 81 ± 1mm	5000	9930	60W	166	90°
170571 Galaxy Slim TRK 3R2 AL/6500/60W/80/A3WB/B	592.6 x 188.6 x 81 ± 1mm	6500	9670	60W	162	90°
170571 Galaxy Slim TRK 3R2 AL/6500/60W/80/A3WB/G	592.6 x 188.6 x 81 ± 1mm	6500	9670	60W	162	90°
170572 Galaxy Slim TRK 3R2 AL/3000/60W/80/A3DA/B	592.6 x 188.6 x 81 ± 1mm	3000	9235	60W	154	DA
170572 Galaxy Slim TRK 3R2 AL/3000/60W/80/A3DA/G	592.6 x 188.6 x 81 ± 1mm	3000	9235	60W	154	DA
170573 Galaxy Slim TRK 3R2 AL/4000/60W/80/A3DA/B	592.6 x 188.6 x 81 ± 1mm	4000	9625	60W	161	DA
170573 Galaxy Slim TRK 3R2 AL/4000/60W/80/A3DA/G	592.6 x 188.6 x 81 ± 1mm	4000	9625	60W	161	DA
170574 Galaxy Slim TRK 3R2 AL/5000/60W/80/A3DA/B	592.6 x 188.6 x 81 ± 1mm	5000	9885	60W	165	DA
170574 Galaxy Slim TRK 3R2 AL/5000/60W/80/A3DA/G	592.6 x 188.6 x 81 ± 1mm	5000	9885	60W	165	DA
170575 Galaxy Slim TRK 3R2 AL/6500/60W/80/A3DA/B	592.6 x 188.6 x 81 ± 1mm	6500	9625	60W	161	DA
170575 Galaxy Slim TRK 3R2 AL/6500/60W/80/A3DA/G	592.6 x 188.6 x 81 ± 1mm	6500	9625	60W	161	DA
170576 Galaxy Slim TRK 3R2 AL/3000/60W/80/A3SA/B	592.6 x 188.6 x 81 ± 1mm	3000	8815	60W	147	SA
170576 Galaxy Slim TRK 3R2 AL/3000/60W/80/A3SA/G	592.6 x 188.6 x 81 ± 1mm	3000	8815	60W	147	SA
170577 Galaxy Slim TRK 3R2 AL/4000/60W/80/A3SA/B	592.6 x 188.6 x 81 ± 1mm	4000	9190	60W	154	SA
170577 Galaxy Slim TRK 3R2 AL/4000/60W/80/A3SA/G	592.6 x 188.6 x 81 ± 1mm	4000	9190	60W	154	SA

SKU SPECIFICATIONS

Product Code	Dimensions (mm)	CCT (K)	Lumens (lm)	Power (W)	Eff. (lm/watt)	Lens Angle (°)
<b>CRI 80</b>						
170578 Galaxy Slim TRK 3R2 AL/5000/60W/80/A3SA/B	592.6 x 188.6 x 81 ± 1mm	5000	9435	60W	158	SA
170578 Galaxy Slim TRK 3R2 AL/5000/60W/80/A3SA/G	592.6 x 188.6 x 81 ± 1mm	5000	9435	60W	158	SA
170579 Galaxy Slim TRK 3R2 AL/6500/60W/80/A3SA/B	592.6 x 188.6 x 81 ± 1mm	6500	9190	60W	154	SA
170579 Galaxy Slim TRK 3R2 AL/6500/60W/80/A3SA/G	592.6 x 188.6 x 81 ± 1mm	6500	9190	60W	154	SA
170580 Galaxy Slim TRK 3R2 AL/3000/70W/80/A3TB/B	592.6 x 188.6 x 81 ± 1mm	3000	10625	70W	152	30°
170580 Galaxy Slim TRK 3R2 AL/3000/70W/80/A3TB/G	592.6 x 188.6 x 81 ± 1mm	3000	10625	70W	152	30°
170581 Galaxy Slim TRK 3R2 AL/4000/70W/80/A3TB/B	592.6 x 188.6 x 81 ± 1mm	4000	11075	70W	159	30°
170581 Galaxy Slim TRK 3R2 AL/4000/70W/80/A3TB/G	592.6 x 188.6 x 81 ± 1mm	4000	11075	70W	159	30°
170582 Galaxy Slim TRK 3R2 AL/5000/70W/80/A3TB/B	592.6 x 188.6 x 81 ± 1mm	5000	11370	70W	163	30°
170582 Galaxy Slim TRK 3R2 AL/5000/70W/80/A3TB/G	592.6 x 188.6 x 81 ± 1mm	5000	11370	70W	163	30°
170583 Galaxy Slim TRK 3R2 AL/6500/70W/80/A3TB/B	592.6 x 188.6 x 81 ± 1mm	6500	11075	70W	159	30°
170583 Galaxy Slim TRK 3R2 AL/6500/70W/80/A3TB/G	592.6 x 188.6 x 81 ± 1mm	6500	11075	70W	159	30°
170584 Galaxy Slim TRK 3R2 AL/3000/70W/80/A3NB/B	592.6 x 188.6 x 81 ± 1mm	3000	10545	70W	151	60°
170584 Galaxy Slim TRK 3R2 AL/3000/70W/80/A3NB/G	592.6 x 188.6 x 81 ± 1mm	3000	10545	70W	151	60°
170585 Galaxy Slim TRK 3R2 AL/4000/70W/80/A3NB/B	592.6 x 188.6 x 81 ± 1mm	4000	10990	70W	157	60°
170585 Galaxy Slim TRK 3R2 AL/4000/70W/80/A3NB/G	592.6 x 188.6 x 81 ± 1mm	4000	10990	70W	157	60°
170586 Galaxy Slim TRK 3R2 AL/5000/70W/80/A3NB/B	592.6 x 188.6 x 81 ± 1mm	5000	11290	70W	162	60°
170586 Galaxy Slim TRK 3R2 AL/5000/70W/80/A3NB/G	592.6 x 188.6 x 81 ± 1mm	5000	11290	70W	162	60°
170587 Galaxy Slim TRK 3R2 AL/6500/70W/80/A3NB/B	592.6 x 188.6 x 81 ± 1mm	6500	10990	70W	157	60°
170587 Galaxy Slim TRK 3R2 AL/6500/70W/80/A3NB/G	592.6 x 188.6 x 81 ± 1mm	6500	10990	70W	157	60°
170588 Galaxy Slim TRK 3R2 AL/3000/70W/80/A3WB/B	592.6 x 188.6 x 81 ± 1mm	3000	10595	70W	152	90°
170588 Galaxy Slim TRK 3R2 AL/3000/70W/80/A3WB/G	592.6 x 188.6 x 81 ± 1mm	3000	10595	70W	152	90°
170589 Galaxy Slim TRK 3R2 AL/4000/70W/80/A3WB/B	592.6 x 188.6 x 81 ± 1mm	4000	11040	70W	158	90°
170589 Galaxy Slim TRK 3R2 AL/4000/70W/80/A3WB/G	592.6 x 188.6 x 81 ± 1mm	4000	11040	70W	158	90°
170590 Galaxy Slim TRK 3R2 AL/5000/70W/80/A3WB/B	592.6 x 188.6 x 81 ± 1mm	5000	11340	70W	162	90°
170590 Galaxy Slim TRK 3R2 AL/5000/70W/80/A3WB/G	592.6 x 188.6 x 81 ± 1mm	5000	11340	70W	162	90°
170591 Galaxy Slim TRK 3R2 AL/6500/70W/80/A3WB/B	592.6 x 188.6 x 81 ± 1mm	6500	11040	70W	158	90°
170591 Galaxy Slim TRK 3R2 AL/6500/70W/80/A3WB/G	592.6 x 188.6 x 81 ± 1mm	6500	11040	70W	158	90°
170592 Galaxy Slim TRK 3R2 AL/3000/70W/80/A3DA/B	592.6 x 188.6 x 81 ± 1mm	3000	10545	70W	151	DA
170592 Galaxy Slim TRK 3R2 AL/3000/70W/80/A3DA/G	592.6 x 188.6 x 81 ± 1mm	3000	10545	70W	151	DA
170593 Galaxy Slim TRK 3R2 AL/4000/70W/80/A3DA/B	592.6 x 188.6 x 81 ± 1mm	4000	10990	70W	157	DA
170593 Galaxy Slim TRK 3R2 AL/4000/70W/80/A3DA/G	592.6 x 188.6 x 81 ± 1mm	4000	10990	70W	157	DA
170594 Galaxy Slim TRK 3R2 AL/5000/70W/80/A3DA/B	592.6 x 188.6 x 81 ± 1mm	5000	11290	70W	162	DA
170594 Galaxy Slim TRK 3R2 AL/5000/70W/80/A3DA/G	592.6 x 188.6 x 81 ± 1mm	5000	11290	70W	162	DA
170595 Galaxy Slim TRK 3R2 AL/6500/70W/80/A3DA/B	592.6 x 188.6 x 81 ± 1mm	6500	10990	70W	157	DA
170595 Galaxy Slim TRK 3R2 AL/6500/70W/80/A3DA/G	592.6 x 188.6 x 81 ± 1mm	6500	10990	70W	157	DA
170596 Galaxy Slim TRK 3R2 AL/3000/70W/80/A3SA/B	592.6 x 188.6 x 81 ± 1mm	3000	10070	70W	144	SA
170596 Galaxy Slim TRK 3R2 AL/3000/70W/80/A3SA/G	592.6 x 188.6 x 81 ± 1mm	3000	10070	70W	144	SA
170597 Galaxy Slim TRK 3R2 AL/4000/70W/80/A3SA/B	592.6 x 188.6 x 81 ± 1mm	4000	10495	70W	150	SA
170597 Galaxy Slim TRK 3R2 AL/4000/70W/80/A3SA/G	592.6 x 188.6 x 81 ± 1mm	4000	10495	70W	150	SA
170598 Galaxy Slim TRK 3R2 AL/5000/70W/80/A3SA/B	592.6 x 188.6 x 81 ± 1mm	5000	10775	70W	154	SA
170598 Galaxy Slim TRK 3R2 AL/5000/70W/80/A3SA/G	592.6 x 188.6 x 81 ± 1mm	5000	10775	70W	154	SA
170599 Galaxy Slim TRK 3R2 AL/6500/70W/80/A3SA/B	592.6 x 188.6 x 81 ± 1mm	6500	10495	70W	150	SA
170599 Galaxy Slim TRK 3R2 AL/6500/70W/80/A3SA/G	592.6 x 188.6 x 81 ± 1mm	6500	10495	70W	150	SA
170600 Galaxy Slim TRK 3R4 AL/3000/77W/80/A3TB/B	1176.6 x 188.6 x 81 ± 1mm	3000	12430	77W	162	30°
170600 Galaxy Slim TRK 3R4 AL/3000/77W/80/A3TB/G	1176.6 x 188.6 x 81 ± 1mm	3000	12430	77W	162	30°
170601 Galaxy Slim TRK 3R4 AL/4000/77W/80/A3TB/B	1176.6 x 188.6 x 81 ± 1mm	4000	12955	77W	169	30°
170601 Galaxy Slim TRK 3R4 AL/4000/77W/80/A3TB/G	1176.6 x 188.6 x 81 ± 1mm	4000	12955	77W	169	30°
170602 Galaxy Slim TRK 3R4 AL/5000/77W/80/A3TB/B	1176.6 x 188.6 x 81 ± 1mm	5000	13305	77W	173	30°
170602 Galaxy Slim TRK 3R4 AL/5000/77W/80/A3TB/G	1176.6 x 188.6 x 81 ± 1mm	5000	13305	77W	173	30°
170603 Galaxy Slim TRK 3R4 AL/6500/77W/80/A3TB/B	1176.6 x 188.6 x 81 ± 1mm	6500	12955	77W	169	30°
170603 Galaxy Slim TRK 3R4 AL/6500/77W/80/A3TB/G	1176.6 x 188.6 x 81 ± 1mm	6500	12955	77W	169	30°



## SKU SPECIFICATIONS

Product Code	Dimensions (mm)	CCT (K)	Lumens (lm)	Power (W)	Eff. (lm/watt)	Lens Angle (°)
<b>CRI 80</b>						
170604 Galaxy Slim TRK 3R4 AL/3000/77W/80/A3NB/B	1176.6 x 188.6 x 81 ± 1mm	3000	12340	77W	161	60°
170604 Galaxy Slim TRK 3R4 AL/3000/77W/80/A3NB/G	1176.6 x 188.6 x 81 ± 1mm	3000	12340	77W	161	60°
170605 Galaxy Slim TRK 3R4 AL/4000/77W/80/A3NB/B	1176.6 x 188.6 x 81 ± 1mm	4000	12860	77W	167	60°
170605 Galaxy Slim TRK 3R4 AL/4000/77W/80/A3NB/G	1176.6 x 188.6 x 81 ± 1mm	4000	12860	77W	167	60°
170606 Galaxy Slim TRK 3R4 AL/5000/77W/80/A3NB/B	1176.6 x 188.6 x 81 ± 1mm	5000	13205	77W	172	60°
170606 Galaxy Slim TRK 3R4 AL/5000/77W/80/A3NB/G	1176.6 x 188.6 x 81 ± 1mm	5000	13205	77W	172	60°
170607 Galaxy Slim TRK 3R4 AL/6500/77W/80/A3NB/B	1176.6 x 188.6 x 81 ± 1mm	6500	12860	77W	167	60°
170607 Galaxy Slim TRK 3R4 AL/6500/77W/80/A3NB/G	1176.6 x 188.6 x 81 ± 1mm	6500	12860	77W	167	60°
170608 Galaxy Slim TRK 3R4 AL/3000/77W/80/A3WB/B	1176.6 x 188.6 x 81 ± 1mm	3000	12395	77W	161	90°
170608 Galaxy Slim TRK 3R4 AL/3000/77W/80/A3WB/G	1176.6 x 188.6 x 81 ± 1mm	3000	12395	77W	161	90°
170609 Galaxy Slim TRK 3R4 AL/4000/77W/80/A3WB/B	1176.6 x 188.6 x 81 ± 1mm	4000	12920	77W	168	90°
170609 Galaxy Slim TRK 3R4 AL/4000/77W/80/A3WB/G	1176.6 x 188.6 x 81 ± 1mm	4000	12920	77W	168	90°
170610 Galaxy Slim TRK 3R4 AL/5000/77W/80/A3WB/B	1176.6 x 188.6 x 81 ± 1mm	5000	13265	77W	173	90°
170610 Galaxy Slim TRK 3R4 AL/5000/77W/80/A3WB/G	1176.6 x 188.6 x 81 ± 1mm	5000	13265	77W	173	90°
170611 Galaxy Slim TRK 3R4 AL/6500/77W/80/A3WB/B	1176.6 x 188.6 x 81 ± 1mm	6500	12920	77W	168	90°
170611 Galaxy Slim TRK 3R4 AL/6500/77W/80/A3WB/G	1176.6 x 188.6 x 81 ± 1mm	6500	12920	77W	168	90°
170612 Galaxy Slim TRK 3R4 AL/3000/77W/80/A3DA/B	1176.6 x 188.6 x 81 ± 1mm	3000	12340	77W	161	DA
170612 Galaxy Slim TRK 3R4 AL/3000/77W/80/A3DA/G	1176.6 x 188.6 x 81 ± 1mm	3000	12340	77W	161	DA
170613 Galaxy Slim TRK 3R4 AL/4000/77W/80/A3DA/B	1176.6 x 188.6 x 81 ± 1mm	4000	12860	77W	167	DA
170613 Galaxy Slim TRK 3R4 AL/4000/77W/80/A3DA/G	1176.6 x 188.6 x 81 ± 1mm	4000	12860	77W	167	DA
170614 Galaxy Slim TRK 3R4 AL/5000/77W/80/A3DA/B	1176.6 x 188.6 x 81 ± 1mm	5000	13205	77W	172	DA
170614 Galaxy Slim TRK 3R4 AL/5000/77W/80/A3DA/G	1176.6 x 188.6 x 81 ± 1mm	5000	13205	77W	172	DA
170615 Galaxy Slim TRK 3R4 AL/6500/77W/80/A3DA/B	1176.6 x 188.6 x 81 ± 1mm	6500	12860	77W	167	DA
170615 Galaxy Slim TRK 3R4 AL/6500/77W/80/A3DA/G	1176.6 x 188.6 x 81 ± 1mm	6500	12860	77W	167	DA
170616 Galaxy Slim TRK 3R4 AL/3000/77W/80/A3SA/B	1176.6 x 188.6 x 81 ± 1mm	3000	11780	77W	153	SA
170616 Galaxy Slim TRK 3R4 AL/3000/77W/80/A3SA/G	1176.6 x 188.6 x 81 ± 1mm	3000	11780	77W	153	SA
170617 Galaxy Slim TRK 3R4 AL/4000/77W/80/A3SA/B	1176.6 x 188.6 x 81 ± 1mm	4000	12280	77W	160	SA
170617 Galaxy Slim TRK 3R4 AL/4000/77W/80/A3SA/G	1176.6 x 188.6 x 81 ± 1mm	4000	12280	77W	160	SA
170618 Galaxy Slim TRK 3R4 AL/5000/77W/80/A3SA/B	1176.6 x 188.6 x 81 ± 1mm	5000	12610	77W	164	SA
170618 Galaxy Slim TRK 3R4 AL/5000/77W/80/A3SA/G	1176.6 x 188.6 x 81 ± 1mm	5000	12610	77W	164	SA
170619 Galaxy Slim TRK 3R4 AL/6500/77W/80/A3SA/B	1176.6 x 188.6 x 81 ± 1mm	6500	12280	77W	160	SA
170619 Galaxy Slim TRK 3R4 AL/6500/77W/80/A3SA/G	1176.6 x 188.6 x 81 ± 1mm	6500	12280	77W	160	SA
170620 Galaxy Slim TRK 3R4 AL/3000/87W/80/A3TB/B	1176.6 x 188.6 x 81 ± 1mm	3000	13890	87W	160	30°
170620 Galaxy Slim TRK 3R4 AL/3000/87W/80/A3TB/G	1176.6 x 188.6 x 81 ± 1mm	3000	13890	87W	160	30°
170621 Galaxy Slim TRK 3R4 AL/4000/87W/80/A3TB/B	1176.6 x 188.6 x 81 ± 1mm	4000	14480	87W	167	30°
170621 Galaxy Slim TRK 3R4 AL/4000/87W/80/A3TB/G	1176.6 x 188.6 x 81 ± 1mm	4000	14480	87W	167	30°
170622 Galaxy Slim TRK 3R4 AL/5000/87W/80/A3TB/B	1176.6 x 188.6 x 81 ± 1mm	5000	14870	87W	171	30°
170622 Galaxy Slim TRK 3R4 AL/5000/87W/80/A3TB/G	1176.6 x 188.6 x 81 ± 1mm	5000	14870	87W	171	30°
170623 Galaxy Slim TRK 3R4 AL/6500/87W/80/A3TB/B	1176.6 x 188.6 x 81 ± 1mm	6500	14480	87W	167	30°
170623 Galaxy Slim TRK 3R4 AL/6500/87W/80/A3TB/G	1176.6 x 188.6 x 81 ± 1mm	6500	14480	87W	167	30°
170624 Galaxy Slim TRK 3R4 AL/3000/87W/80/A3NB/B	1176.6 x 188.6 x 81 ± 1mm	3000	13790	87W	159	60°
170624 Galaxy Slim TRK 3R4 AL/3000/87W/80/A3NB/G	1176.6 x 188.6 x 81 ± 1mm	3000	13790	87W	159	60°
170625 Galaxy Slim TRK 3R4 AL/4000/87W/80/A3NB/B	1176.6 x 188.6 x 81 ± 1mm	4000	14375	87W	166	60°
170625 Galaxy Slim TRK 3R4 AL/4000/87W/80/A3NB/G	1176.6 x 188.6 x 81 ± 1mm	4000	14375	87W	166	60°
170626 Galaxy Slim TRK 3R4 AL/5000/87W/80/A3NB/B	1176.6 x 188.6 x 81 ± 1mm	5000	14760	87W	170	60°
170626 Galaxy Slim TRK 3R4 AL/5000/87W/80/A3NB/G	1176.6 x 188.6 x 81 ± 1mm	5000	14760	87W	170	60°
170627 Galaxy Slim TRK 3R4 AL/6500/87W/80/A3NB/B	1176.6 x 188.6 x 81 ± 1mm	6500	14375	87W	166	60°
170627 Galaxy Slim TRK 3R4 AL/6500/87W/80/A3NB/G	1176.6 x 188.6 x 81 ± 1mm	6500	14375	87W	166	60°
170628 Galaxy Slim TRK 3R4 AL/3000/87W/80/A3WB/B	1176.6 x 188.6 x 81 ± 1mm	3000	13855	87W	160	90°
170628 Galaxy Slim TRK 3R4 AL/3000/87W/80/A3WB/G	1176.6 x 188.6 x 81 ± 1mm	3000	13855	87W	160	90°
170629 Galaxy Slim TRK 3R4 AL/4000/87W/80/A3WB/B	1176.6 x 188.6 x 81 ± 1mm	4000	14440	87W	166	90°
170629 Galaxy Slim TRK 3R4 AL/4000/87W/80/A3WB/G	1176.6 x 188.6 x 81 ± 1mm	4000	14440	87W	166	90°

## SKU SPECIFICATIONS

Product Code	Dimensions (mm)	CCT (K)	Lumens (lm)	Power (W)	Eff. (lm/watt)	Lens Angle (°)
<b>CRI 80</b>						
170630 Galaxy Slim TRK 3R4 AL/5000/87W/80/A3WB/B	1176.6 x 188.6 x 81 ± 1mm	5000	14830	87W	171	90°
170630 Galaxy Slim TRK 3R4 AL/5000/87W/80/A3WB/G	1176.6 x 188.6 x 81 ± 1mm	5000	14830	87W	171	90°
170631 Galaxy Slim TRK 3R4 AL/6500/87W/80/A3WB/B	1176.6 x 188.6 x 81 ± 1mm	6500	14440	87W	166	90°
170631 Galaxy Slim TRK 3R4 AL/6500/87W/80/A3WB/G	1176.6 x 188.6 x 81 ± 1mm	6500	14440	87W	166	90°
170632 Galaxy Slim TRK 3R4 AL/3000/87W/80/A3DA/B	1176.6 x 188.6 x 81 ± 1mm	3000	13790	87W	159	DA
170632 Galaxy Slim TRK 3R4 AL/3000/87W/80/A3DA/G	1176.6 x 188.6 x 81 ± 1mm	3000	13790	87W	159	DA
170633 Galaxy Slim TRK 3R4 AL/4000/87W/80/A3DA/B	1176.6 x 188.6 x 81 ± 1mm	4000	14375	87W	166	DA
170633 Galaxy Slim TRK 3R4 AL/4000/87W/80/A3DA/G	1176.6 x 188.6 x 81 ± 1mm	4000	14375	87W	166	DA
170634 Galaxy Slim TRK 3R4 AL/5000/87W/80/A3DA/B	1176.6 x 188.6 x 81 ± 1mm	5000	14760	87W	170	DA
170634 Galaxy Slim TRK 3R4 AL/5000/87W/80/A3DA/G	1176.6 x 188.6 x 81 ± 1mm	5000	14760	87W	170	DA
170635 Galaxy Slim TRK 3R4 AL/6500/87W/80/A3DA/B	1176.6 x 188.6 x 81 ± 1mm	6500	14375	87W	166	DA
170635 Galaxy Slim TRK 3R4 AL/6500/87W/80/A3DA/G	1176.6 x 188.6 x 81 ± 1mm	6500	14375	87W	166	DA
170636 Galaxy Slim TRK 3R4 AL/3000/87W/80/A3SA/B	1176.6 x 188.6 x 81 ± 1mm	3000	13165	87W	152	SA
170636 Galaxy Slim TRK 3R4 AL/3000/87W/80/A3SA/G	1176.6 x 188.6 x 81 ± 1mm	3000	13165	87W	152	SA
170637 Galaxy Slim TRK 3R4 AL/4000/87W/80/A3SA/B	1176.6 x 188.6 x 81 ± 1mm	4000	13725	87W	158	SA
170637 Galaxy Slim TRK 3R4 AL/4000/87W/80/A3SA/G	1176.6 x 188.6 x 81 ± 1mm	4000	13725	87W	158	SA
170638 Galaxy Slim TRK 3R4 AL/5000/87W/80/A3SA/B	1176.6 x 188.6 x 81 ± 1mm	5000	14095	87W	162	SA
170638 Galaxy Slim TRK 3R4 AL/5000/87W/80/A3SA/G	1176.6 x 188.6 x 81 ± 1mm	5000	14095	87W	162	SA
170639 Galaxy Slim TRK 3R4 AL/6500/87W/80/A3SA/B	1176.6 x 188.6 x 81 ± 1mm	6500	13725	87W	158	SA
170639 Galaxy Slim TRK 3R4 AL/6500/87W/80/A3SA/G	1176.6 x 188.6 x 81 ± 1mm	6500	13725	87W	158	SA
170640 Galaxy Slim TRK 3R4 AL/3000/102W/80/A3TB/B	1176.6 x 188.6 x 81 ± 1mm	3000	15815	102W	156	30°
170640 Galaxy Slim TRK 3R4 AL/3000/102W/80/A3TB/G	1176.6 x 188.6 x 81 ± 1mm	3000	15815	102W	156	30°
170641 Galaxy Slim TRK 3R4 AL/4000/102W/80/A3TB/B	1176.6 x 188.6 x 81 ± 1mm	4000	16485	102W	162	30°
170641 Galaxy Slim TRK 3R4 AL/4000/102W/80/A3TB/G	1176.6 x 188.6 x 81 ± 1mm	4000	16485	102W	162	30°
170642 Galaxy Slim TRK 3R4 AL/5000/102W/80/A3TB/B	1176.6 x 188.6 x 81 ± 1mm	5000	16930	102W	166	30°
170642 Galaxy Slim TRK 3R4 AL/5000/102W/80/A3TB/G	1176.6 x 188.6 x 81 ± 1mm	5000	16930	102W	166	30°
170643 Galaxy Slim TRK 3R4 AL/6500/102W/80/A3TB/B	1176.6 x 188.6 x 81 ± 1mm	6500	16485	102W	162	30°
170643 Galaxy Slim TRK 3R4 AL/6500/102W/80/A3TB/G	1176.6 x 188.6 x 81 ± 1mm	6500	16485	102W	162	30°
170644 Galaxy Slim TRK 3R4 AL/3000/102W/80/A3NB/B	1176.6 x 188.6 x 81 ± 1mm	3000	15700	102W	154	60°
170644 Galaxy Slim TRK 3R4 AL/3000/102W/80/A3NB/G	1176.6 x 188.6 x 81 ± 1mm	3000	15700	102W	154	60°
170645 Galaxy Slim TRK 3R4 AL/4000/102W/80/A3NB/B	1176.6 x 188.6 x 81 ± 1mm	4000	16365	102W	161	60°
170645 Galaxy Slim TRK 3R4 AL/4000/102W/80/A3NB/G	1176.6 x 188.6 x 81 ± 1mm	4000	16365	102W	161	60°
170646 Galaxy Slim TRK 3R4 AL/5000/102W/80/A3NB/B	1176.6 x 188.6 x 81 ± 1mm	5000	16805	102W	165	60°
170646 Galaxy Slim TRK 3R4 AL/5000/102W/80/A3NB/G	1176.6 x 188.6 x 81 ± 1mm	5000	16805	102W	165	60°
170647 Galaxy Slim TRK 3R4 AL/6500/102W/80/A3NB/B	1176.6 x 188.6 x 81 ± 1mm	6500	16365	102W	161	60°
170647 Galaxy Slim TRK 3R4 AL/6500/102W/80/A3NB/G	1176.6 x 188.6 x 81 ± 1mm	6500	16365	102W	161	60°
170648 Galaxy Slim TRK 3R4 AL/3000/102W/80/A3WB/B	1176.6 x 188.6 x 81 ± 1mm	3000	15770	102W	155	90°
170648 Galaxy Slim TRK 3R4 AL/3000/102W/80/A3WB/G	1176.6 x 188.6 x 81 ± 1mm	3000	15770	102W	155	90°
170649 Galaxy Slim TRK 3R4 AL/4000/102W/80/A3WB/B	1176.6 x 188.6 x 81 ± 1mm	4000	16435	102W	162	90°
170649 Galaxy Slim TRK 3R4 AL/4000/102W/80/A3WB/G	1176.6 x 188.6 x 81 ± 1mm	4000	16435	102W	162	90°
170650 Galaxy Slim TRK 3R4 AL/5000/102W/80/A3WB/B	1176.6 x 188.6 x 81 ± 1mm	5000	16880	102W	166	90°
170650 Galaxy Slim TRK 3R4 AL/5000/102W/80/A3WB/G	1176.6 x 188.6 x 81 ± 1mm	5000	16880	102W	166	90°
170651 Galaxy Slim TRK 3R4 AL/6500/102W/80/A3WB/B	1176.6 x 188.6 x 81 ± 1mm	6500	16435	102W	162	90°
170651 Galaxy Slim TRK 3R4 AL/6500/102W/80/A3WB/G	1176.6 x 188.6 x 81 ± 1mm	6500	16435	102W	162	90°
170652 Galaxy Slim TRK 3R4 AL/3000/102W/80/A3DA/B	1176.6 x 188.6 x 81 ± 1mm	3000	15700	102W	154	DA
170652 Galaxy Slim TRK 3R4 AL/3000/102W/80/A3DA/G	1176.6 x 188.6 x 81 ± 1mm	3000	15700	102W	154	DA
170653 Galaxy Slim TRK 3R4 AL/4000/102W/80/A3DA/B	1176.6 x 188.6 x 81 ± 1mm	4000	16365	102W	161	DA
170653 Galaxy Slim TRK 3R4 AL/4000/102W/80/A3DA/G	1176.6 x 188.6 x 81 ± 1mm	4000	16365	102W	161	DA
170654 Galaxy Slim TRK 3R4 AL/5000/102W/80/A3DA/B	1176.6 x 188.6 x 81 ± 1mm	5000	16805	102W	165	DA
170654 Galaxy Slim TRK 3R4 AL/5000/102W/80/A3DA/G	1176.6 x 188.6 x 81 ± 1mm	5000	16805	102W	165	DA
170655 Galaxy Slim TRK 3R4 AL/6500/102W/80/A3DA/B	1176.6 x 188.6 x 81 ± 1mm	6500	16365	102W	161	DA
170655 Galaxy Slim TRK 3R4 AL/6500/102W/80/A3DA/G	1176.6 x 188.6 x 81 ± 1mm	6500	16365	102W	161	DA

## SKU SPECIFICATIONS

Product Code	Dimensions (mm)	CCT (K)	Lumens (lm)	Power (W)	Eff. (lm/watt)	Lens Angle (°)
<b>CRI 80</b>						
170656 Galaxy Slim TRK 3R4 AL/3000/102W/80/A3SA/B	1176.6 x 188.6 x 81 ± 1mm	3000	14990	102W	147	SA
170656 Galaxy Slim TRK 3R4 AL/3000/102W/80/A3SA/G	1176.6 x 188.6 x 81 ± 1mm	3000	14990	102W	147	SA
170657 Galaxy Slim TRK 3R4 AL/4000/102W/80/A3SA/B	1176.6 x 188.6 x 81 ± 1mm	4000	15620	102W	154	SA
170657 Galaxy Slim TRK 3R4 AL/4000/102W/80/A3SA/G	1176.6 x 188.6 x 81 ± 1mm	4000	15620	102W	154	SA
170658 Galaxy Slim TRK 3R4 AL/5000/102W/80/A3SA/B	1176.6 x 188.6 x 81 ± 1mm	5000	16045	102W	158	SA
170658 Galaxy Slim TRK 3R4 AL/5000/102W/80/A3SA/G	1176.6 x 188.6 x 81 ± 1mm	5000	16045	102W	158	SA
170659 Galaxy Slim TRK 3R4 AL/6500/102W/80/A3SA/B	1176.6 x 188.6 x 81 ± 1mm	6500	15620	102W	154	SA
170659 Galaxy Slim TRK 3R4 AL/6500/102W/80/A3SA/G	1176.6 x 188.6 x 81 ± 1mm	6500	15620	102W	154	SA
170660 Galaxy Slim TRK 3R4 AL/3000/117W/80/A3TB/B	1176.6 x 188.6 x 81 ± 1mm	3000	17315	117W	148	30°
170660 Galaxy Slim TRK 3R4 AL/3000/117W/80/A3TB/G	1176.6 x 188.6 x 81 ± 1mm	3000	17315	117W	148	30°
170661 Galaxy Slim TRK 3R4 AL/4000/117W/80/A3TB/B	1176.6 x 188.6 x 81 ± 1mm	4000	18045	117W	155	30°
170661 Galaxy Slim TRK 3R4 AL/4000/117W/80/A3TB/G	1176.6 x 188.6 x 81 ± 1mm	4000	18045	117W	155	30°
170662 Galaxy Slim TRK 3R4 AL/5000/117W/80/A3TB/B	1176.6 x 188.6 x 81 ± 1mm	5000	18530	117W	159	30°
170662 Galaxy Slim TRK 3R4 AL/5000/117W/80/A3TB/G	1176.6 x 188.6 x 81 ± 1mm	5000	18530	117W	159	30°
170663 Galaxy Slim TRK 3R4 AL/6500/117W/80/A3TB/B	1176.6 x 188.6 x 81 ± 1mm	6500	18045	117W	155	30°
170663 Galaxy Slim TRK 3R4 AL/6500/117W/80/A3TB/G	1176.6 x 188.6 x 81 ± 1mm	6500	18045	117W	155	30°
170664 Galaxy Slim TRK 3R4 AL/3000/117W/80/A3NB/B	1176.6 x 188.6 x 81 ± 1mm	3000	17190	117W	147	60°
170664 Galaxy Slim TRK 3R4 AL/3000/117W/80/A3NB/G	1176.6 x 188.6 x 81 ± 1mm	3000	17190	117W	147	60°
170665 Galaxy Slim TRK 3R4 AL/4000/117W/80/A3NB/B	1176.6 x 188.6 x 81 ± 1mm	4000	17915	117W	154	60°
170665 Galaxy Slim TRK 3R4 AL/4000/117W/80/A3NB/G	1176.6 x 188.6 x 81 ± 1mm	4000	17915	117W	154	60°
170666 Galaxy Slim TRK 3R4 AL/5000/117W/80/A3NB/B	1176.6 x 188.6 x 81 ± 1mm	5000	18400	117W	158	60°
170666 Galaxy Slim TRK 3R4 AL/5000/117W/80/A3NB/G	1176.6 x 188.6 x 81 ± 1mm	5000	18400	117W	158	60°
170667 Galaxy Slim TRK 3R4 AL/6500/117W/80/A3NB/B	1176.6 x 188.6 x 81 ± 1mm	6500	17915	117W	154	60°
170667 Galaxy Slim TRK 3R4 AL/6500/117W/80/A3NB/G	1176.6 x 188.6 x 81 ± 1mm	6500	17915	117W	154	60°
170668 Galaxy Slim TRK 3R4 AL/3000/117W/80/A3WB/B	1176.6 x 188.6 x 81 ± 1mm	3000	17265	117W	148	90°
170668 Galaxy Slim TRK 3R4 AL/3000/117W/80/A3WB/G	1176.6 x 188.6 x 81 ± 1mm	3000	17265	117W	148	90°
170669 Galaxy Slim TRK 3R4 AL/4000/117W/80/A3WB/B	1176.6 x 188.6 x 81 ± 1mm	4000	17995	117W	154	90°
170669 Galaxy Slim TRK 3R4 AL/4000/117W/80/A3WB/G	1176.6 x 188.6 x 81 ± 1mm	4000	17995	117W	154	90°
170670 Galaxy Slim TRK 3R4 AL/5000/117W/80/A3WB/B	1176.6 x 188.6 x 81 ± 1mm	5000	18480	117W	158	90°
170670 Galaxy Slim TRK 3R4 AL/5000/117W/80/A3WB/G	1176.6 x 188.6 x 81 ± 1mm	5000	18480	117W	158	90°
170671 Galaxy Slim TRK 3R4 AL/6500/117W/80/A3WB/B	1176.6 x 188.6 x 81 ± 1mm	6500	17995	117W	154	90°
170671 Galaxy Slim TRK 3R4 AL/6500/117W/80/A3WB/G	1176.6 x 188.6 x 81 ± 1mm	6500	17995	117W	154	90°
170672 Galaxy Slim TRK 3R4 AL/3000/117W/80/A3DA/B	1176.6 x 188.6 x 81 ± 1mm	3000	17190	117W	147	DA
170672 Galaxy Slim TRK 3R4 AL/3000/117W/80/A3DA/G	1176.6 x 188.6 x 81 ± 1mm	3000	17190	117W	147	DA
170673 Galaxy Slim TRK 3R4 AL/4000/117W/80/A3DA/B	1176.6 x 188.6 x 81 ± 1mm	4000	17915	117W	154	DA
170673 Galaxy Slim TRK 3R4 AL/4000/117W/80/A3DA/G	1176.6 x 188.6 x 81 ± 1mm	4000	17915	117W	154	DA
170674 Galaxy Slim TRK 3R4 AL/5000/117W/80/A3DA/B	1176.6 x 188.6 x 81 ± 1mm	5000	18400	117W	158	DA
170674 Galaxy Slim TRK 3R4 AL/5000/117W/80/A3DA/G	1176.6 x 188.6 x 81 ± 1mm	5000	18400	117W	158	DA
170675 Galaxy Slim TRK 3R4 AL/6500/117W/80/A3DA/B	1176.6 x 188.6 x 81 ± 1mm	6500	17915	117W	154	DA
170675 Galaxy Slim TRK 3R4 AL/6500/117W/80/A3DA/G	1176.6 x 188.6 x 81 ± 1mm	6500	17915	117W	154	DA
170676 Galaxy Slim TRK 3R4 AL/3000/117W/80/A3SA/B	1176.6 x 188.6 x 81 ± 1mm	3000	16410	117W	141	SA
170676 Galaxy Slim TRK 3R4 AL/3000/117W/80/A3SA/G	1176.6 x 188.6 x 81 ± 1mm	3000	16410	117W	141	SA
170677 Galaxy Slim TRK 3R4 AL/4000/117W/80/A3SA/B	1176.6 x 188.6 x 81 ± 1mm	4000	17105	117W	147	SA
170677 Galaxy Slim TRK 3R4 AL/4000/117W/80/A3SA/G	1176.6 x 188.6 x 81 ± 1mm	4000	17105	117W	147	SA
170678 Galaxy Slim TRK 3R4 AL/5000/117W/80/A3SA/B	1176.6 x 188.6 x 81 ± 1mm	5000	17565	117W	151	SA
170678 Galaxy Slim TRK 3R4 AL/5000/117W/80/A3SA/G	1176.6 x 188.6 x 81 ± 1mm	5000	17565	117W	151	SA
170679 Galaxy Slim TRK 3R4 AL/6500/117W/80/A3SA/B	1176.6 x 188.6 x 81 ± 1mm	6500	17105	117W	147	SA
170679 Galaxy Slim TRK 3R4 AL/6500/117W/80/A3SA/G	1176.6 x 188.6 x 81 ± 1mm	6500	17105	117W	147	SA
170680 Galaxy Slim TRK 3R4 AL/3000/139W/80/A3TB/B	1176.6 x 188.6 x 81 ± 1mm	3000	18745	139W	135	30°
170680 Galaxy Slim TRK 3R4 AL/3000/139W/80/A3TB/G	1176.6 x 188.6 x 81 ± 1mm	3000	18745	139W	135	30°
170681 Galaxy Slim TRK 3R4 AL/4000/139W/80/A3TB/B	1176.6 x 188.6 x 81 ± 1mm	4000	19535	139W	141	30°
170681 Galaxy Slim TRK 3R4 AL/4000/139W/80/A3TB/G	1176.6 x 188.6 x 81 ± 1mm	4000	19535	139W	141	30°

## SKU SPECIFICATIONS

Product Code	Dimensions (mm)	CCT (K)	Lumens (lm)	Power (W)	Eff. (lm/watt)	Lens Angle (°)
<b>CRI 80</b>						
170682 Galaxy Slim TRK 3R4 AL/5000/139W/80/A3TB/B	1176.6 x 188.6 x 81 ± 1mm	5000	20065	139W	145	30°
170682 Galaxy Slim TRK 3R4 AL/5000/139W/80/A3TB/G	1176.6 x 188.6 x 81 ± 1mm	5000	20065	139W	145	30°
170683 Galaxy Slim TRK 3R4 AL/6500/139W/80/A3TB/B	1176.6 x 188.6 x 81 ± 1mm	6500	19535	139W	141	30°
170683 Galaxy Slim TRK 3R4 AL/6500/139W/80/A3TB/G	1176.6 x 188.6 x 81 ± 1mm	6500	19535	139W	141	30°
170684 Galaxy Slim TRK 3R4 AL/3000/139W/80/A3NB/B	1176.6 x 188.6 x 81 ± 1mm	3000	18610	139W	134	60°
170684 Galaxy Slim TRK 3R4 AL/3000/139W/80/A3NB/G	1176.6 x 188.6 x 81 ± 1mm	3000	18610	139W	134	60°
170685 Galaxy Slim TRK 3R4 AL/4000/139W/80/A3NB/B	1176.6 x 188.6 x 81 ± 1mm	4000	19395	139W	140	60°
170685 Galaxy Slim TRK 3R4 AL/4000/139W/80/A3NB/G	1176.6 x 188.6 x 81 ± 1mm	4000	19395	139W	140	60°
170686 Galaxy Slim TRK 3R4 AL/5000/139W/80/A3NB/B	1176.6 x 188.6 x 81 ± 1mm	5000	19915	139W	144	60°
170686 Galaxy Slim TRK 3R4 AL/5000/139W/80/A3NB/G	1176.6 x 188.6 x 81 ± 1mm	5000	19915	139W	144	60°
170687 Galaxy Slim TRK 3R4 AL/6500/139W/80/A3NB/B	1176.6 x 188.6 x 81 ± 1mm	6500	19395	139W	140	60°
170687 Galaxy Slim TRK 3R4 AL/6500/139W/80/A3NB/G	1176.6 x 188.6 x 81 ± 1mm	6500	19395	139W	140	60°
170688 Galaxy Slim TRK 3R4 AL/3000/139W/80/A3WB/B	1176.6 x 188.6 x 81 ± 1mm	3000	18690	139W	135	90°
170688 Galaxy Slim TRK 3R4 AL/3000/139W/80/A3WB/G	1176.6 x 188.6 x 81 ± 1mm	3000	18690	139W	135	90°
170689 Galaxy Slim TRK 3R4 AL/4000/139W/80/A3WB/B	1176.6 x 188.6 x 81 ± 1mm	4000	19480	139W	141	90°
170689 Galaxy Slim TRK 3R4 AL/4000/139W/80/A3WB/G	1176.6 x 188.6 x 81 ± 1mm	4000	19480	139W	141	90°
170690 Galaxy Slim TRK 3R4 AL/5000/139W/80/A3WB/B	1176.6 x 188.6 x 81 ± 1mm	5000	20005	139W	144	90°
170690 Galaxy Slim TRK 3R4 AL/5000/139W/80/A3WB/G	1176.6 x 188.6 x 81 ± 1mm	5000	20005	139W	144	90°
170691 Galaxy Slim TRK 3R4 AL/6500/139W/80/A3WB/B	1176.6 x 188.6 x 81 ± 1mm	6500	19480	139W	141	90°
170691 Galaxy Slim TRK 3R4 AL/6500/139W/80/A3WB/G	1176.6 x 188.6 x 81 ± 1mm	6500	19480	139W	141	90°
170692 Galaxy Slim TRK 3R4 AL/3000/139W/80/A3DA/B	1176.6 x 188.6 x 81 ± 1mm	3000	18610	139W	134	DA
170692 Galaxy Slim TRK 3R4 AL/3000/139W/80/A3DA/G	1176.6 x 188.6 x 81 ± 1mm	3000	18610	139W	134	DA
170693 Galaxy Slim TRK 3R4 AL/4000/139W/80/A3DA/B	1176.6 x 188.6 x 81 ± 1mm	4000	19395	139W	140	DA
170693 Galaxy Slim TRK 3R4 AL/4000/139W/80/A3DA/G	1176.6 x 188.6 x 81 ± 1mm	4000	19395	139W	140	DA
170694 Galaxy Slim TRK 3R4 AL/5000/139W/80/A3DA/B	1176.6 x 188.6 x 81 ± 1mm	5000	19915	139W	144	DA
170694 Galaxy Slim TRK 3R4 AL/5000/139W/80/A3DA/G	1176.6 x 188.6 x 81 ± 1mm	5000	19915	139W	144	DA
170695 Galaxy Slim TRK 3R4 AL/6500/139W/80/A3DA/B	1176.6 x 188.6 x 81 ± 1mm	6500	19395	139W	140	DA
170695 Galaxy Slim TRK 3R4 AL/6500/139W/80/A3DA/G	1176.6 x 188.6 x 81 ± 1mm	6500	19395	139W	140	DA
170696 Galaxy Slim TRK 3R4 AL/3000/139W/80/A3SA/B	1176.6 x 188.6 x 81 ± 1mm	3000	17765	139W	128	SA
170696 Galaxy Slim TRK 3R4 AL/3000/139W/80/A3SA/G	1176.6 x 188.6 x 81 ± 1mm	3000	17765	139W	128	SA
170697 Galaxy Slim TRK 3R4 AL/4000/139W/80/A3SA/B	1176.6 x 188.6 x 81 ± 1mm	4000	18515	139W	134	SA
170697 Galaxy Slim TRK 3R4 AL/4000/139W/80/A3SA/G	1176.6 x 188.6 x 81 ± 1mm	4000	18515	139W	134	SA
170698 Galaxy Slim TRK 3R4 AL/5000/139W/80/A3SA/B	1176.6 x 188.6 x 81 ± 1mm	5000	19015	139W	137	SA
170698 Galaxy Slim TRK 3R4 AL/5000/139W/80/A3SA/G	1176.6 x 188.6 x 81 ± 1mm	5000	19015	139W	137	SA
170699 Galaxy Slim TRK 3R4 AL/6500/139W/80/A3SA/B	1176.6 x 188.6 x 81 ± 1mm	6500	18515	139W	134	SA
170699 Galaxy Slim TRK 3R4 AL/6500/139W/80/A3SA/G	1176.6 x 188.6 x 81 ± 1mm	6500	18515	139W	134	SA

Technical specifications can be modified without prior notice. All information is property of Greentek Lighting.

The presentation picture is for information purposes only. Latest document update: November 19, 2019 11:01 AM. [www.greentek.eu](http://www.greentek.eu)