



Juniper R

RECESSED DOWNLIGHTS | DALI SERIES

Compact LED ceiling-recessed luminaire providing a symmetric, wide-beam light distribution. Provides high illuminance levels and better homogeneity on the working plane. Juniper R is suitable for general lighting purposes. Best for applications such as offices, showrooms, commercial areas, hospitals, hotels, airports. Housing available in signal white color, easy to complement any type of ceiling.

Juniper R recessed luminaires come in several series, with various add-on and controls:

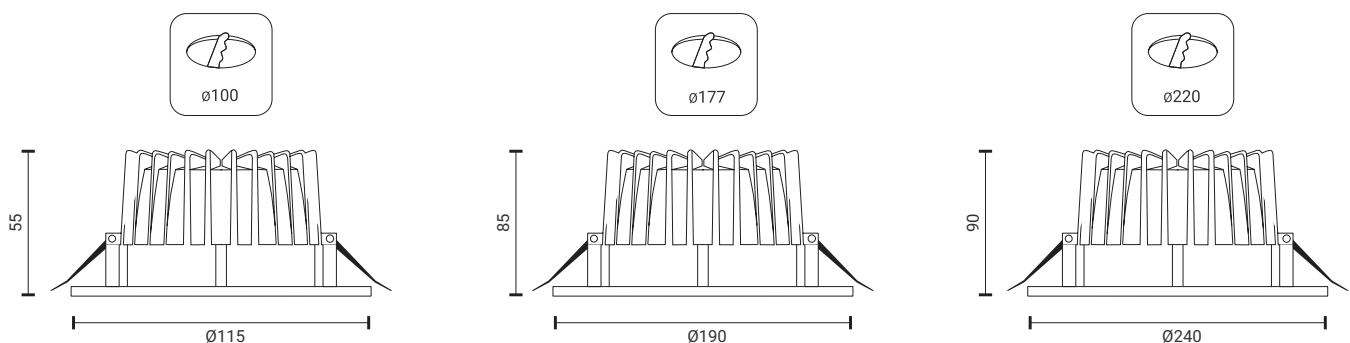
- Juniper R Non-DALI - the standard for a large number of spaces – offices, showrooms, restaurants
- Juniper R Non-DALI EM - with emergency lighting kit
- Juniper R DALI - with DALI controls for illumination adjustments
- Juniper R DALI EM - with both dimming and emergency kit

FEATURES & BENEFITS

- CRI \geq 80 standard
- IP40 when encased in closed ceilings
- Very long service life: 50,000 h at 90% luminous flux
- High efficiency of 125 lm/watt
- Lens angle of 75°
- Very low UGR starting with factor 17
- Comes in three diameters, suitable for any replacement of traditional lamps
- Dimmable

APPLICATION

Grocery & Supermarkets | Office | Healthcare | Hospitality | DIY

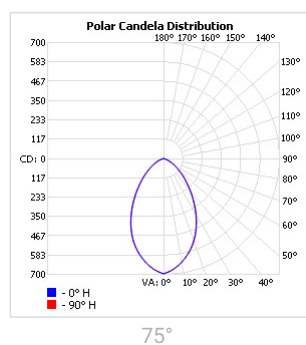


| | | | |
|--------------------------------|---------------------------------|-------------------|------------------------|
| Power consumption | 9W, 17W | 9W, 17W, 23W, 30W | 9W, 17W, 23W, 30W, 40W |
| Dimensions | 115x55xØ100±1mm | 190x85xØ177±1mm | 240x90xØ220±1mm |
| Weight | 0.6 Kg | 1.1 - 1.2 Kg | 1.6 - 1.7 Kg |
| Housing materials | Aluminium, Glass | | |
| IK code | IK02 | | |
| THD (at 230V, 50Hz, Full load) | <8% | | |
| Protection class | Safety class 1 | | |
| Operating temperature [°C] | -20°C ... +45°C / -4F ... +113F | | |
| Operating humidity [%] | 10 ÷ 85 | | |
| Power factor | ≥0.95 | | |
| AC Input [Vac] | 220 - 240 VAC | | |
| Lens angle [°] | 75° | | |
| Lifespan [h] | 50,000 | | |
| Housing color | ○ RAL 9003 - signal white | | |
| Lumen maintenance | L90/B10@50.000h at 25°C | | |
| IP factor (front face) | IP40 | | |
| Control option | DALI | | |
| Warranty [years] | 5 | | |
| Storage temperature range [°C] | -20°C ... +55°C / -4F ... +131F | | |
| Emergency option | - | | |

| | |
|-------------------|-------------------------|
| Light application | Standard |
| CRI | CRI 80 |
| CCT [K] | 3000K/4000K/5000K/6500K |
| MacAdam | 4 |

CRI - Color rendering, CCT - Color temperature, MacAdam - Color consistency

LIGHT DISTRIBUTION



TOLERANCES

Luminous flux tolerances: -/+ 5%

Consumption tolerance: -/+ 5% for Non-DALI | -/+ 10% for Non-DALI & KIT EM | -/+ 10% for DALI | -/+ 15% for DALI & KIT EM

BATTERY WARRANTY

Non-DALI EM & DALI EM: 12 months warranty

Non-DALI & DALI: -

MAXIMUM NO. OF LUMINAIRES ON A CIRCUIT

| Luminaire Power(W) | Control type | Circuit Breaker Type | | | | | |
|--------------------|--------------|----------------------|----|----|-----|----|----|
| | | B | | | C | | |
| | | 20 | 16 | 10 | 20 | 16 | 10 |
| 9-17W | Non-DALI | 62 | 50 | 31 | 104 | 85 | 52 |
| 23-30W | Non-DALI | 24 | 20 | 10 | 47 | 40 | 20 |
| 45W | Non-DALI | 37 | 30 | 18 | 62 | 65 | 31 |
| 9-17W | DALI | 62 | 50 | 31 | 104 | 85 | 52 |
| 23-30W | DALI | 25 | 21 | 13 | 50 | 42 | 26 |
| 45W | DALI | 17 | 14 | 9 | 34 | 28 | 18 |

RISK GROUP

| | |
|--------------------------------|-----------------|
| Standard (CRI80) | RG1 |
| FOOD (BVF, FBS, FSM) | RG1 |
| FOOD <20W (FZM, FSH) | RG2 (dthr=1.8m) |
| FOOD >20W (FZM, FSH) | RG2 (dthr=2.2m) |
| FAS | RG1 |
| AMB2200 | RG1 |
| ART | RG1 |
| AGI | RG1 |
| CRI90 | RG1 |
| CRI95 | RG1 |
| ENT | RG1 |

RG1

The evaluation of photobiological safety is carried out according to the standard IEC 62471:2008 ("Photobiological safety of lamps and lamp systems"). Following the definition of the risk grouping system of the mentioned IEC standard, the LEDs mounted on this family fall into the class "Low Risk (RG1 – No photobiological hazard under normal behavioral limitations)". Under real circumstances (regarding exposure time, pupils, observation distance), it is assumed that there is no endangerment to the eye from these devices. As a matter of principle, however, it should be mentioned that intense light sources have a high secondary exposure potential due to their blinding effect.

RG2

The evaluation of photobiological safety is carried out according to the standard IEC 62471:2008 ("Photobiological safety of lamps and lamp systems"). Following the definition of the risk grouping system of the mentioned IEC standard, the LEDs mounted on this family fall into the class "Moderate Risk (RG2)". Under real circumstances (regarding exposure time, pupils, observation distance), it is assumed that there is no endangerment to the eye from these devices. As a matter of principle, however, it should be mentioned that intense light sources have a high secondary exposure potential due to their blinding effect.

SKU SPECIFICATIONS

| Product Code | Dimensions (mm) | CCT (K) | Lumens (lm) | Power (W) | Eff. (lm/watt) | Lens Angle (°) |
|---------------------------------------|---------------------|---------|-------------|-----------|----------------|----------------|
| CRI 80 | | | | | | |
| 209000 JuniperR 100mm/3000/9W/80/A75 | D115xH55xØ100mm±1mm | 3000 | 900 | 9W | 100 | 75° |
| 209001 JuniperR 100mm/4000/9W/80/A75 | D115xH55xØ100mm±1mm | 4000 | 940 | 9W | 105 | 75° |
| 209002 JuniperR 100mm/5000/9W/80/A75 | D115xH55xØ100mm±1mm | 5000 | 965 | 9W | 108 | 75° |
| 209003 JuniperR 100mm/6500/9W/80/A75 | D115xH55xØ100mm±1mm | 6500 | 940 | 9W | 105 | 75° |
| 209004 JuniperR 177mm/3000/9W/80/A75 | D190xH85xØ177mm±1mm | 3000 | 935 | 9W | 104 | 75° |
| 209005 JuniperR 177mm/4000/9W/80/A75 | D190xH85xØ177mm±1mm | 4000 | 975 | 9W | 109 | 75° |
| 209006 JuniperR 177mm/5000/9W/80/A75 | D190xH85xØ177mm±1mm | 5000 | 1000 | 9W | 112 | 75° |
| 209007 JuniperR 177mm/6500/9W/80/A75 | D190xH85xØ177mm±1mm | 6500 | 975 | 9W | 109 | 75° |
| 209008 JuniperR 220mm/3000/9W/80/A75 | D240xH90xØ220mm±1mm | 3000 | 940 | 9W | 105 | 75° |
| 209009 JuniperR 220mm/4000/9W/80/A75 | D240xH90xØ220mm±1mm | 4000 | 980 | 9W | 109 | 75° |
| 209010 JuniperR 220mm/5000/9W/80/A75 | D240xH90xØ220mm±1mm | 5000 | 1005 | 9W | 112 | 75° |
| 209011 JuniperR 220mm/6500/9W/80/A75 | D240xH90xØ220mm±1mm | 6500 | 980 | 9W | 109 | 75° |
| 209012 JuniperR 100mm/3000/17W/80/A75 | D115xH55xØ100mm±1mm | 3000 | 1800 | 17W | 106 | 75° |
| 209013 JuniperR 100mm/4000/17W/80/A75 | D115xH55xØ100mm±1mm | 4000 | 1875 | 17W | 111 | 75° |
| 209014 JuniperR 100mm/5000/17W/80/A75 | D115xH55xØ100mm±1mm | 5000 | 1925 | 17W | 114 | 75° |
| 209015 JuniperR 100mm/6500/17W/80/A75 | D115xH55xØ100mm±1mm | 6500 | 1875 | 17W | 111 | 75° |
| 209016 JuniperR 177mm/3000/17W/80/A75 | D190xH85xØ177mm±1mm | 3000 | 1950 | 17W | 115 | 75° |
| 209017 JuniperR 177mm/4000/17W/80/A75 | D190xH85xØ177mm±1mm | 4000 | 2035 | 17W | 120 | 75° |
| 209018 JuniperR 177mm/5000/17W/80/A75 | D190xH85xØ177mm±1mm | 5000 | 2090 | 17W | 123 | 75° |
| 209019 JuniperR 177mm/6500/17W/80/A75 | D190xH85xØ177mm±1mm | 6500 | 2035 | 17W | 120 | 75° |
| 209020 JuniperR 220mm/3000/17W/80/A75 | D240xH90xØ220mm±1mm | 3000 | 1955 | 17W | 115 | 75° |
| 209021 JuniperR 220mm/4000/17W/80/A75 | D240xH90xØ220mm±1mm | 4000 | 2035 | 17W | 120 | 75° |
| 209022 JuniperR 220mm/5000/17W/80/A75 | D240xH90xØ220mm±1mm | 5000 | 2090 | 17W | 123 | 75° |
| 209023 JuniperR 220mm/6500/17W/80/A75 | D240xH90xØ220mm±1mm | 6500 | 2035 | 17W | 120 | 75° |
| 209024 JuniperR 177mm/3000/23W/80/A75 | D190xH85xØ177mm±1mm | 3000 | 2665 | 23W | 116 | 75° |
| 209025 JuniperR 177mm/4000/23W/80/A75 | D190xH85xØ177mm±1mm | 4000 | 2775 | 23W | 121 | 75° |
| 209026 JuniperR 177mm/5000/23W/80/A75 | D190xH85xØ177mm±1mm | 5000 | 2850 | 23W | 124 | 75° |
| 209027 JuniperR 177mm/6500/23W/80/A75 | D190xH85xØ177mm±1mm | 6500 | 2775 | 23W | 121 | 75° |
| 209028 JuniperR 220mm/3000/23W/80/A75 | D240xH90xØ220mm±1mm | 3000 | 2595 | 23W | 113 | 75° |
| 209029 JuniperR 220mm/4000/23W/80/A75 | D240xH90xØ220mm±1mm | 4000 | 2705 | 23W | 118 | 75° |
| 209030 JuniperR 220mm/5000/23W/80/A75 | D240xH90xØ220mm±1mm | 5000 | 2775 | 23W | 121 | 75° |
| 209031 JuniperR 220mm/6500/23W/80/A75 | D240xH90xØ220mm±1mm | 6500 | 2705 | 23W | 118 | 75° |
| 209032 JuniperR 177mm/3000/30W/80/A75 | D190xH85xØ177mm±1mm | 3000 | 3575 | 30W | 120 | 75° |
| 209033 JuniperR 177mm/4000/30W/80/A75 | D190xH85xØ177mm±1mm | 4000 | 3725 | 30W | 125 | 75° |
| 209034 JuniperR 177mm/5000/30W/80/A75 | D190xH85xØ177mm±1mm | 5000 | 3825 | 30W | 128 | 75° |
| 209035 JuniperR 177mm/6500/30W/80/A75 | D190xH85xØ177mm±1mm | 6500 | 3725 | 30W | 125 | 75° |
| 209036 JuniperR 220mm/3000/30W/80/A75 | D240xH90xØ220mm±1mm | 3000 | 3590 | 30W | 120 | 75° |
| 209037 JuniperR 220mm/4000/30W/80/A75 | D240xH90xØ220mm±1mm | 4000 | 3740 | 30W | 125 | 75° |
| 209038 JuniperR 220mm/5000/30W/80/A75 | D240xH90xØ220mm±1mm | 5000 | 3840 | 30W | 128 | 75° |
| 209039 JuniperR 220mm/6500/30W/80/A75 | D240xH90xØ220mm±1mm | 6500 | 3740 | 30W | 125 | 75° |
| 209040 JuniperR 220mm/3000/40W/80/A75 | D240xH90xØ220mm±1mm | 3000 | 4785 | 40W | 120 | 75° |
| 209041 JuniperR 220mm/4000/40W/80/A75 | D240xH90xØ220mm±1mm | 4000 | 4985 | 40W | 125 | 75° |
| 209042 JuniperR 220mm/5000/40W/80/A75 | D240xH90xØ220mm±1mm | 5000 | 5120 | 40W | 128 | 75° |
| 209043 JuniperR 220mm/6500/40W/80/A75 | D240xH90xØ220mm±1mm | 6500 | 4985 | 40W | 125 | 75° |

Technical specifications can be modified without prior notice. All information is property of Greentek Lighting.

The presentation picture is for information purposes only. Latest document update: July 29, 2019 2:20 PM. www.greentek.eu