



Caster

TRACK SPOTLIGHTS | NON-DALI SERIES

Track spotlights include a wide range of indoor spotlights used for directional and accent lighting. Highly suitable for displays that require special color temperatures. Mounted on tracks, easily adjustable, require very little technical effort should they be rearranged. The housing comes in three color options – black, grey and white – to fit the particular environment.

Caster is a track spotlight, with quick install, die-cast aluminum housing, adjustable lamp angles and special color temperatures for food, art, fashion, hospitality (AMB) and AGI – Class A.

Caster track spotlight comes in several series, with various add-on and controls:

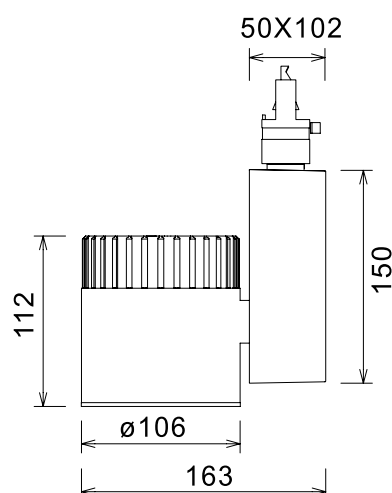
- Caster Non-DALI – the standard for any project in the retail sectors
- Caster DALI – with DALI controls for dimming

APPLICATION

Supermarket | Fashion | Retail | Hospitality | Exhibition | Architectural

FEATURES & BENEFITS

- CRI \geq 80 as standard, up to 98 for certain special color temperatures
- 16 color temperatures, including specialized options
- Stylish die-cast aluminium housing
- Great variety of optics – from narrow beams to flood beams
- High efficiency – 117lm/watt@4000K



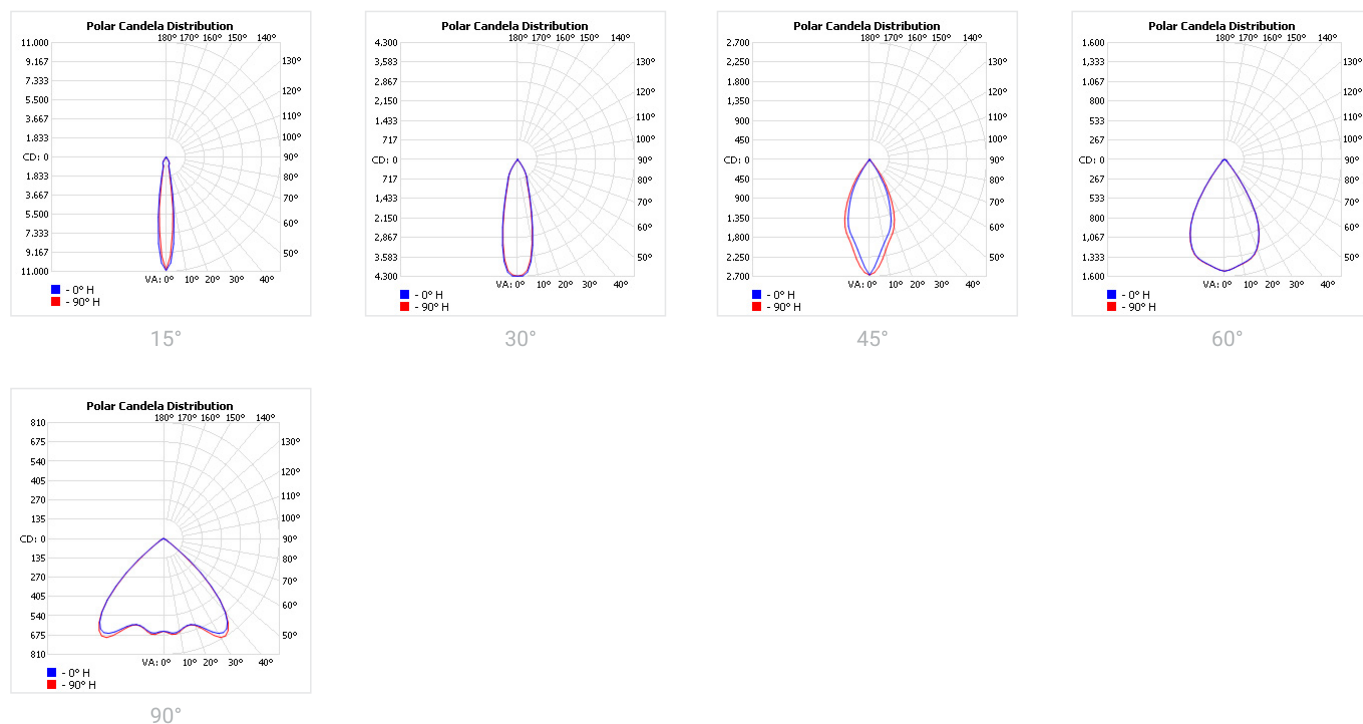
SPECIFICATIONS

Power consumption	14W, 16W, 17W, 20W, 21W, 23W, 27W, 29W, 32W, 34W, 35W, 42W, 50W
Dimensions	Ø106x163x150mm±1mm
Weight	1.5 - 1.7 Kg
Housing materials	Aluminium, Glass
IK code	IK02
THD (at 230V, 50Hz, Full load)	<20%
Protection class	Safety class 1
Operating temperature [°C]	-20°C ... +45°C / -4F ... +113F
Operating humidity [%]	10 ÷ 85
Power factor	≥0.95
AC Input [Vdc]	220 - 240 VAC
Lens angle [°]	15°, 30°, 45°, 60°, 90°
Lifespan [h]	50,000
Housing color	○ RAL 9003 - Signal White, ● RAL 9005 - Jet Black, ● RAL 9006 - White Aluminium
Lumen maintenance	L90/B10@50,000h at 25°C
IP factor	IP20
Control optional	-
Warranty [years]	5
Storage temperature range [°C]	-20°C ... +55°C / -4F ... +131F
Emergency option	-

#	Standard	Food	Fashion	AGI	Enhanced	ART	AMB
CRI	CRI80	CRI80	CRI95	CRI90 & CRI97 / CRI93	CRI90 / CRI95	CRI98	CRI80
CCT [K]	2700 / 3000 / 3500 / 4000	BVF / FBS / FZM / FSM / FSH	FAS	5600 / AGI 3000 / 3500 / 4000	2700 / 3000 / 3500 / 4000	3000	2200
MacAdam	3	3 / 4 / 4 / 3 / 3	3	3	2	2	3

CRI - Color rendering, CCT - Color temperature, MacAdam - Color consistency

LIGHT DISTRIBUTION



TOLERANCES

Luminous flux tolerances: -/+ 5%

Consumption tolerance: -/+ 5% for Non-DALI | -/+ 10% for Non-DALI & KIT EM | -/+ 10% for DALI | -/+ 15% for DALI & KIT EM

BATTERY WARRANTY

Non-DALI EM & DALI EM: 12 months warranty

Non-DALI & DALI: -

MAXIMUM NO. OF LUMINAIRES ON A CIRCUIT

Luminaire Power(W)	Control type	Circuit Breaker Type					
		B			C		
		20	16	10	20	16	10
8-20W	Non-DALI	62	50	31	104	85	52
23-35W	Non-DALI	24	20	10	47	40	20
42W	Non-DALI	20	16	8	38	32	16
8-20W	DALI	62	50	31	104	85	52
23-27W	DALI	18	15	9	31	50	15
34-42W	DALI	17	14	9	34	28	18

RISK GROUP

Standard (CRI80)	RG1
FOOD (BVF, FBS, FSM)	RG1
FOOD ≤35W (FZM, FSH)	RG1
FOOD >35W (FZM, FSH)	RG2
FAS	RG1
AMB2200	RG1
ART	RG1
AGI	RG1
CRI90	RG1
CRI95	RG1
ENT	RG1

RG1

The evaluation of photobiological safety is carried out according to the standard IEC 62471:2008 ("Photobiological safety of lamps and lamp systems"). Following the definition of the risk grouping system of the mentioned IEC standard, the LEDs mounted on this family fall into the class "Low Risk (RG1 – No photobiological hazard under normal behavioral limitations)". Under real circumstances (regarding exposure time, pupils, observation distance), it is assumed that there is no endangerment to the eye from these devices. As a matter of principle, however, it should be mentioned that intense light sources have a high secondary exposure potential due to their blinding effect.

RG2

The evaluation of photobiological safety is carried out according to the standard IEC 62471:2008 ("Photobiological safety of lamps and lamp systems"). Following the definition of the risk grouping system of the mentioned IEC standard, the LEDs mounted on this family fall into the class "Moderate Risk (RG2)". Under real circumstances (regarding exposure time, pupils, observation distance), it is assumed that there is no endangerment to the eye from these devices. As a matter of principle, however, it should be mentioned that intense light sources have a high secondary exposure potential due to their blinding effect.

SKU SPECIFICATIONS

Product Code	Dimensions (mm)	CCT (K)	Lumens (lm)	Power (W)	Eff. (lm/watt)	Lens Angle (°)
CRI 80						
134000 Caster S35004S/2700/14W/80/A15	Ø106x163x150mm±1mm	2700	1485	14W	107	15°
134001 Caster S35004S/3000/14W/80/A15	Ø106x163x150mm±1mm	3000	1500	14W	108	15°
134002 Caster S35004S/3500/14W/80/A15	Ø106x163x150mm±1mm	3500	1540	14W	110	15°
134003 Caster S35004S/4000/14W/80/A15	Ø106x163x150mm±1mm	4000	1570	14W	113	15°
134005 Caster S35004S/2700/14W/80/A30	Ø106x163x150mm±1mm	2700	1485	14W	107	30°
134006 Caster S35004S/3000/14W/80/A30	Ø106x163x150mm±1mm	3000	1500	14W	108	30°
134007 Caster S35004S/3500/14W/80/A30	Ø106x163x150mm±1mm	3500	1540	14W	110	30°
134008 Caster S35004S/4000/14W/80/A30	Ø106x163x150mm±1mm	4000	1570	14W	113	30°
134010 Caster S35004S/2700/14W/80/A45	Ø106x163x150mm±1mm	2700	1485	14W	107	45°
134011 Caster S35004S/3000/14W/80/A45	Ø106x163x150mm±1mm	3000	1500	14W	108	45°
134012 Caster S35004S/3500/14W/80/A45	Ø106x163x150mm±1mm	3500	1540	14W	110	45°
134013 Caster S35004S/4000/14W/80/A45	Ø106x163x150mm±1mm	4000	1570	14W	113	45°
134015 Caster S35004S/2700/14W/80/A60	Ø106x163x150mm±1mm	2700	1485	14W	107	60°
134016 Caster S35004S/3000/14W/80/A60	Ø106x163x150mm±1mm	3000	1500	14W	108	60°
134017 Caster S35004S/3500/14W/80/A60	Ø106x163x150mm±1mm	3500	1540	14W	110	60°
134018 Caster S35004S/4000/14W/80/A60	Ø106x163x150mm±1mm	4000	1570	14W	113	60°
134020 Caster S35034 /2700/14W/80/A90	Ø106x163x150mm±1mm	2700	1485	14W	107	90°
134021 Caster S35034 /3000/14W/80/A90	Ø106x163x150mm±1mm	3000	1500	14W	108	90°
134022 Caster S35034 /3500/14W/80/A90	Ø106x163x150mm±1mm	3500	1540	14W	110	90°
134023 Caster S35034 /4000/14W/80/A90	Ø106x163x150mm±1mm	4000	1570	14W	113	90°
134025 Caster S35004S/2700/20W/80/A15	Ø106x163x150mm±1mm	2700	2080	20W	104	15°
134026 Caster S35004S/3000/20W/80/A15	Ø106x163x150mm±1mm	3000	2100	20W	105	15°
134027 Caster S35004S/3500/20W/80/A15	Ø106x163x150mm±1mm	3500	2160	20W	108	15°
134028 Caster S35004S/4000/20W/80/A15	Ø106x163x150mm±1mm	4000	2200	20W	110	15°
134030 Caster S35004S/2700/20W/80/A30	Ø106x163x150mm±1mm	2700	2080	20W	104	30°
134031 Caster S35004S/3000/20W/80/A30	Ø106x163x150mm±1mm	3000	2100	20W	105	30°
134032 Caster S35004S/3500/20W/80/A30	Ø106x163x150mm±1mm	3500	2160	20W	108	30°
134033 Caster S35004S/4000/20W/80/A30	Ø106x163x150mm±1mm	4000	2200	20W	110	30°
134035 Caster S35004S/2700/20W/80/A45	Ø106x163x150mm±1mm	2700	2080	20W	104	45°
134036 Caster S35004S/3000/20W/80/A45	Ø106x163x150mm±1mm	3000	2100	20W	105	45°
134037 Caster S35004S/3500/20W/80/A45	Ø106x163x150mm±1mm	3500	2160	20W	108	45°
134038 Caster S35004S/4000/20W/80/A45	Ø106x163x150mm±1mm	4000	2200	20W	110	45°
134040 Caster S35004S/2700/20W/80/A60	Ø106x163x150mm±1mm	2700	2080	20W	104	60°
134041 Caster S35004S/3000/20W/80/A60	Ø106x163x150mm±1mm	3000	2100	20W	105	60°
134042 Caster S35004S/3500/20W/80/A60	Ø106x163x150mm±1mm	3500	2160	20W	108	60°
134043 Caster S35004S/4000/20W/80/A60	Ø106x163x150mm±1mm	4000	2200	20W	110	60°
134045 Caster S35034 /2700/20W/80/A90	Ø106x163x150mm±1mm	2700	2080	20W	104	90°
134046 Caster S35034 /3000/20W/80/A90	Ø106x163x150mm±1mm	3000	2100	20W	105	90°
134047 Caster S35034 /3500/20W/80/A90	Ø106x163x150mm±1mm	3500	2160	20W	108	90°
134048 Caster S35034 /4000/20W/80/A90	Ø106x163x150mm±1mm	4000	2200	20W	110	90°
134050 Caster S35004S/2700/27W/80/A15	Ø106x163x150mm±1mm	2700	2945	27W	110	15°
134051 Caster S35004S/3000/27W/80/A15	Ø106x163x150mm±1mm	3000	2970	27W	110	15°
134052 Caster S35004S/3500/27W/80/A15	Ø106x163x150mm±1mm	3500	3055	27W	114	15°
134053 Caster S35004S/4000/27W/80/A15	Ø106x163x150mm±1mm	4000	3135	27W	117	15°
134055 Caster S35004S/2700/27W/80/A30	Ø106x163x150mm±1mm	2700	2945	27W	110	30°
134056 Caster S35004S/3000/27W/80/A30	Ø106x163x150mm±1mm	3000	2970	27W	110	30°
134057 Caster S35004S/3500/27W/80/A30	Ø106x163x150mm±1mm	3500	3055	27W	114	30°
134058 Caster S35004S/4000/27W/80/A30	Ø106x163x150mm±1mm	4000	3135	27W	117	30°
134060 Caster S35004S/2700/27W/80/A45	Ø106x163x150mm±1mm	2700	2945	27W	110	45°
134061 Caster S35004S/3000/27W/80/A45	Ø106x163x150mm±1mm	3000	2970	27W	110	45°
134062 Caster S35004S/3500/27W/80/A45	Ø106x163x150mm±1mm	3500	3055	27W	114	45°
134063 Caster S35004S/4000/27W/80/A45	Ø106x163x150mm±1mm	4000	3135	27W	117	45°
134065 Caster S35004S/2700/27W/80/A60	Ø106x163x150mm±1mm	2700	2945	27W	110	60°
134066 Caster S35004S/3000/27W/80/A60	Ø106x163x150mm±1mm	3000	2970	27W	110	60°

SKU SPECIFICATIONS

Product Code	Dimensions (mm)	CCT (K)	Lumens (lm)	Power (W)	Eff. (lm/watt)	Lens Angle (°)
CRI 80						
134067 Caster S35004S/3500/27W/80/A60	Ø106x163x150mm±1mm	3500	3055	27W	114	60°
134068 Caster S35004S/4000/27W/80/A60	Ø106x163x150mm±1mm	4000	3135	27W	117	60°
134070 Caster S35034 /2700/27W/80/A90	Ø106x163x150mm±1mm	2700	2945	27W	110	90°
134071 Caster S35034 /3000/27W/80/A90	Ø106x163x150mm±1mm	3000	2970	27W	110	90°
134072 Caster S35034 /3500/27W/80/A90	Ø106x163x150mm±1mm	3500	3055	27W	114	90°
134073 Caster S35034 /4000/27W/80/A90	Ø106x163x150mm±1mm	4000	3135	27W	117	90°
134075 Caster S35004S/2700/35W/80/A15	Ø106x163x150mm±1mm	2700	3710	35W	106	15°
134076 Caster S35004S/3000/35W/80/A15	Ø106x163x150mm±1mm	3000	3745	35W	107	15°
134077 Caster S35004S/3500/35W/80/A15	Ø106x163x150mm±1mm	3500	3815	35W	109	15°
134078 Caster S35004S/4000/35W/80/A15	Ø106x163x150mm±1mm	4000	3920	35W	112	15°
134080 Caster S35004S/2700/35W/80/A30	Ø106x163x150mm±1mm	2700	3710	35W	106	30°
134081 Caster S35004S/3000/35W/80/A30	Ø106x163x150mm±1mm	3000	3745	35W	107	30°
134082 Caster S35004S/3500/35W/80/A30	Ø106x163x150mm±1mm	3500	3815	35W	109	30°
134083 Caster S35004S/4000/35W/80/A30	Ø106x163x150mm±1mm	4000	3920	35W	112	30°
134085 Caster S35004S/2700/35W/80/A45	Ø106x163x150mm±1mm	2700	3710	35W	106	45°
134086 Caster S35004S/3000/35W/80/A45	Ø106x163x150mm±1mm	3000	3745	35W	107	45°
134087 Caster S35004S/3500/35W/80/A45	Ø106x163x150mm±1mm	3500	3815	35W	109	45°
134088 Caster S35004S/4000/35W/80/A45	Ø106x163x150mm±1mm	4000	3920	35W	112	45°
134090 Caster S35004S/2700/35W/80/A60	Ø106x163x150mm±1mm	2700	3710	35W	106	60°
134091 Caster S35004S/3000/35W/80/A60	Ø106x163x150mm±1mm	3000	3745	35W	107	60°
134092 Caster S35004S/3500/35W/80/A60	Ø106x163x150mm±1mm	3500	3815	35W	109	60°
134093 Caster S35004S/4000/35W/80/A60	Ø106x163x150mm±1mm	4000	3920	35W	112	60°
134095 Caster S35034 /2700/35W/80/A90	Ø106x163x150mm±1mm	2700	3710	35W	106	90°
134096 Caster S35034 /3000/35W/80/A90	Ø106x163x150mm±1mm	3000	3745	35W	107	90°
134097 Caster S35034 /3500/35W/80/A90	Ø106x163x150mm±1mm	3500	3815	35W	109	90°
134098 Caster S35034 /4000/35W/80/A90	Ø106x163x150mm±1mm	4000	3920	35W	112	90°
134100 Caster S35004S/2700/42W/80/A15	Ø106x163x150mm±1mm	2700	4200	42W	100	15°
134101 Caster S35004S/3000/42W/80/A15	Ø106x163x150mm±1mm	3000	4200	42W	100	15°
134102 Caster S35004S/3500/42W/80/A15	Ø106x163x150mm±1mm	3500	4330	42W	103	15°
134103 Caster S35004S/4000/42W/80/A15	Ø106x163x150mm±1mm	4000	4455	42W	106	15°
134105 Caster S35004S/2700/42W/80/A30	Ø106x163x150mm±1mm	2700	4200	42W	100	30°
134106 Caster S35004S/3000/42W/80/A30	Ø106x163x150mm±1mm	3000	4200	42W	100	30°
134107 Caster S35004S/3500/42W/80/A30	Ø106x163x150mm±1mm	3500	4330	42W	103	30°
134108 Caster S35004S/4000/42W/80/A30	Ø106x163x150mm±1mm	4000	4455	42W	106	30°
134110 Caster S35004S/2700/42W/80/A45	Ø106x163x150mm±1mm	2700	4200	42W	100	45°
134111 Caster S35004S/3000/42W/80/A45	Ø106x163x150mm±1mm	3000	4200	42W	100	45°
134112 Caster S35004S/3500/42W/80/A45	Ø106x163x150mm±1mm	3500	4330	42W	103	45°
134113 Caster S35004S/4000/42W/80/A45	Ø106x163x150mm±1mm	4000	4455	42W	106	45°
134115 Caster S35004S/2700/42W/80/A60	Ø106x163x150mm±1mm	2700	4200	42W	100	60°
134116 Caster S35004S/3000/42W/80/A60	Ø106x163x150mm±1mm	3000	4200	42W	100	60°
134117 Caster S35004S/3500/42W/80/A60	Ø106x163x150mm±1mm	3500	4330	42W	103	60°
134118 Caster S35004S/4000/42W/80/A60	Ø106x163x150mm±1mm	4000	4455	42W	106	60°
134120 Caster S35034 /2700/42W/80/A90	Ø106x163x150mm±1mm	2700	4200	42W	100	90°
134121 Caster S35034 /3000/42W/80/A90	Ø106x163x150mm±1mm	3000	4200	42W	100	90°
134122 Caster S35034 /3500/42W/80/A90	Ø106x163x150mm±1mm	3500	4330	42W	103	90°
134123 Caster S35034 /4000/42W/80/A90	Ø106x163x150mm±1mm	4000	4455	42W	106	90°
134250 Caster S35004S/BVF/27W/80/A15	Ø106x163x150mm±1mm	BVF	2065	27W	77	15°
134251 Caster S35004S/FBS/27W/80/A15	Ø106x163x150mm±1mm	FBS	1635	27W	61	15°
134252 Caster S35004S/FZM/27W/80/A15	Ø106x163x150mm±1mm	FZM	1530	27W	57	15°
134253 Caster S35004S/FSM/27W/80/A15	Ø106x163x150mm±1mm	FSM	1530	27W	57	15°
134254 Caster S35004S/BVF/27W/80/A30	Ø106x163x150mm±1mm	BVF	2065	27W	77	30°
134255 Caster S35004S/FBS/27W/80/A30	Ø106x163x150mm±1mm	FBS	1635	27W	61	30°
134256 Caster S35004S/FZM/27W/80/A30	Ø106x163x150mm±1mm	FZM	1530	27W	57	30°
134257 Caster S35004S/FSM/27W/80/A30	Ø106x163x150mm±1mm	FSM	1530	27W	57	30°

SKU SPECIFICATIONS

Product Code	Dimensions (mm)	CCT (K)	Lumens (lm)	Power (W)	Eff. (lm/watt)	Lens Angle (°)
CRI 80						
134258 Caster S35004S/BVF/27W/80/A45	Ø106x163x150mm±1mm	BVF	2065	27W	77	45°
134259 Caster S35004S/FBS/27W/80/A45	Ø106x163x150mm±1mm	FBS	1635	27W	61	45°
134260 Caster S35004S/FZM/27W/80/A45	Ø106x163x150mm±1mm	FZM	1530	27W	57	45°
134261 Caster S35004S/FSM/27W/80/A45	Ø106x163x150mm±1mm	FSM	1530	27W	57	45°
134262 Caster S35004S/BVF/27W/80/A60	Ø106x163x150mm±1mm	BVF	2065	27W	77	60°
134263 Caster S35004S/FBS/27W/80/A60	Ø106x163x150mm±1mm	FBS	1635	27W	61	60°
134264 Caster S35004S/FZM/27W/80/A60	Ø106x163x150mm±1mm	FZM	1530	27W	57	60°
134265 Caster S35004S/FSM/27W/80/A60	Ø106x163x150mm±1mm	FSM	1530	27W	57	60°
134266 Caster S35004S/BVF/35W/80/A15	Ø106x163x150mm±1mm	BVF	2590	35W	74	15°
134267 Caster S35004S/FBS/35W/80/A15	Ø106x163x150mm±1mm	FBS	2115	35W	61	15°
134268 Caster S35004S/FZM/35W/80/A15	Ø106x163x150mm±1mm	FZM	1980	35W	57	15°
134269 Caster S35004S/FSM/35W/80/A15	Ø106x163x150mm±1mm	FSM	1980	35W	57	15°
134270 Caster S35004S/BVF/35W/80/A30	Ø106x163x150mm±1mm	BVF	2590	35W	74	30°
134271 Caster S35004S/FBS/35W/80/A30	Ø106x163x150mm±1mm	FBS	2115	35W	61	30°
134272 Caster S35004S/FZM/35W/80/A30	Ø106x163x150mm±1mm	FZM	1980	35W	57	30°
134273 Caster S35004S/FSM/35W/80/A30	Ø106x163x150mm±1mm	FSM	1980	35W	57	30°
134274 Caster S35004S/BVF/35W/80/A45	Ø106x163x150mm±1mm	BVF	2590	35W	74	45°
134275 Caster S35004S/FBS/35W/80/A45	Ø106x163x150mm±1mm	FBS	2115	35W	61	45°
134276 Caster S35004S/FZM/35W/80/A45	Ø106x163x150mm±1mm	FZM	1980	35W	57	45°
134277 Caster S35004S/FSM/35W/80/A45	Ø106x163x150mm±1mm	FSM	1980	35W	57	45°
134278 Caster S35004S/BVF/35W/80/A60	Ø106x163x150mm±1mm	BVF	2590	35W	74	60°
134279 Caster S35004S/FBS/35W/80/A60	Ø106x163x150mm±1mm	FBS	2115	35W	61	60°
134280 Caster S35004S/FZM/35W/80/A60	Ø106x163x150mm±1mm	FZM	1980	35W	57	60°
134281 Caster S35004S/FSM/35W/80/A60	Ø106x163x150mm±1mm	FSM	1980	35W	57	60°
134282 Caster S35004S/BVF/42W/80/A15	Ø106x163x150mm±1mm	BVF	2870	42W	69	15°
134283 Caster S35004S/FBS/42W/80/A15	Ø106x163x150mm±1mm	FBS	2450	42W	59	15°
134284 Caster S35004S/FZM/42W/80/A15	Ø106x163x150mm±1mm	FZM	2325	42W	56	15°
134285 Caster S35004S/FSM/42W/80/A15	Ø106x163x150mm±1mm	FSM	2325	42W	56	15°
134286 Caster S35004S/BVF/42W/80/A30	Ø106x163x150mm±1mm	BVF	2870	42W	69	30°
134287 Caster S35004S/FBS/42W/80/A30	Ø106x163x150mm±1mm	FBS	2450	42W	59	30°
134288 Caster S35004S/FZM/42W/80/A30	Ø106x163x150mm±1mm	FZM	2325	42W	56	30°
134289 Caster S35004S/FSM/42W/80/A30	Ø106x163x150mm±1mm	FSM	2325	42W	56	30°
134290 Caster S35004S/BVF/42W/80/A45	Ø106x163x150mm±1mm	BVF	2870	42W	69	45°
134291 Caster S35004S/FBS/42W/80/A45	Ø106x163x150mm±1mm	FBS	2450	42W	59	45°
134292 Caster S35004S/FZM/42W/80/A45	Ø106x163x150mm±1mm	FZM	2325	42W	56	45°
134293 Caster S35004S/FSM/42W/80/A45	Ø106x163x150mm±1mm	FSM	2325	42W	56	45°
134294 Caster S35004S/BVF/42W/80/A60	Ø106x163x150mm±1mm	BVF	2870	42W	69	60°
134295 Caster S35004S/FBS/42W/80/A60	Ø106x163x150mm±1mm	FBS	2450	42W	59	60°
134296 Caster S35004S/FZM/42W/80/A60	Ø106x163x150mm±1mm	FZM	2325	42W	56	60°
134297 Caster S35004S/FSM/42W/80/A60	Ø106x163x150mm±1mm	FSM	2325	42W	56	60°
134334 Caster S35004S/FSH/27W/80/A15	Ø106x163x150mm±1mm	FSH	2250	27W	84	15°
134335 Caster S35004S/FSH/27W/80/A30	Ø106x163x150mm±1mm	FSH	2250	27W	84	30°
134336 Caster S35004S/FSH/27W/80/A45	Ø106x163x150mm±1mm	FSH	2250	27W	84	45°
134337 Caster S35004S/FSH/27W/80/A60	Ø106x163x150mm±1mm	FSH	2250	27W	84	60°
134338 Caster S35004S/FSH/35W/80/A15	Ø106x163x150mm±1mm	FSH	2755	35W	79	15°
134339 Caster S35004S/FSH/35W/80/A30	Ø106x163x150mm±1mm	FSH	2755	35W	79	30°
134340 Caster S35004S/FSH/35W/80/A45	Ø106x163x150mm±1mm	FSH	2755	35W	79	45°
134341 Caster S35004S/FSH/35W/80/A60	Ø106x163x150mm±1mm	FSH	2755	35W	79	60°
134342 Caster S35004S/FSH/42W/80/A15	Ø106x163x150mm±1mm	FSH	3155	42W	76	15°
134343 Caster S35004S/FSH/42W/80/A30	Ø106x163x150mm±1mm	FSH	3155	42W	76	30°
134344 Caster S35004S/FSH/42W/80/A45	Ø106x163x150mm±1mm	FSH	3155	42W	76	45°
134345 Caster S35004S/FSH/42W/80/A60	Ø106x163x150mm±1mm	FSH	3155	42W	76	60°
134527 Caster S35004S/BVF/14W/80/A15	Ø106x163x150mm±1mm	BVF	1080	14W	77	15°
134528 Caster S35004S/FBS/14W/80/A15	Ø106x163x150mm±1mm	FBS	855	14W	61	15°

SKU SPECIFICATIONS

Product Code	Dimensions (mm)	CCT (K)	Lumens (lm)	Power (W)	Eff. (lm/watt)	Lens Angle (°)
CRI 80						
134529 Caster S35004S/FZM/14W/80/A15	Ø106x163x150mm±1mm	FZM	800	14W	57	15°
134530 Caster S35004S/FSM/14W/80/A15	Ø106x163x150mm±1mm	FSM	800	14W	57	15°
134531 Caster S35004S/FSH/14W/80/A15	Ø106x163x150mm±1mm	FSH	1180	14W	84	15°
134532 Caster S35004S/BVF/14W/80/A30	Ø106x163x150mm±1mm	BVF	1080	14W	77	30°
134533 Caster S35004S/FBS/14W/80/A30	Ø106x163x150mm±1mm	FBS	855	14W	61	30°
134534 Caster S35004S/FZM/14W/80/A30	Ø106x163x150mm±1mm	FZM	800	14W	57	30°
134535 Caster S35004S/FSM/14W/80/A30	Ø106x163x150mm±1mm	FSM	800	14W	57	30°
134536 Caster S35004S/FSH/14W/80/A30	Ø106x163x150mm±1mm	FSH	1180	14W	84	30°
134537 Caster S35004S/BVF/14W/80/A45	Ø106x163x150mm±1mm	BVF	1080	14W	77	45°
134538 Caster S35004S/FBS/14W/80/A45	Ø106x163x150mm±1mm	FBS	855	14W	61	45°
134539 Caster S35004S/FZM/14W/80/A45	Ø106x163x150mm±1mm	FZM	800	14W	57	45°
134540 Caster S35004S/FSM/14W/80/A45	Ø106x163x150mm±1mm	FSM	800	14W	57	45°
134541 Caster S35004S/FSH/14W/80/A45	Ø106x163x150mm±1mm	FSH	1180	14W	84	45°
134542 Caster S35004S/BVF/14W/80/A60	Ø106x163x150mm±1mm	BVF	1080	14W	77	60°
134543 Caster S35004S/FBS/14W/80/A60	Ø106x163x150mm±1mm	FBS	855	14W	61	60°
134544 Caster S35004S/FZM/14W/80/A60	Ø106x163x150mm±1mm	FZM	800	14W	57	60°
134545 Caster S35004S/FSM/14W/80/A60	Ø106x163x150mm±1mm	FSM	800	14W	57	60°
134546 Caster S35004S/FSH/14W/80/A60	Ø106x163x150mm±1mm	FSH	1180	14W	84	60°
134552 Caster S35004S/BVF/20W/80/A15	Ø106x163x150mm±1mm	BVF	1540	20W	77	15°
134553 Caster S35004S/FBS/20W/80/A15	Ø106x163x150mm±1mm	FBS	1220	20W	61	15°
134554 Caster S35004S/FZM/20W/80/A15	Ø106x163x150mm±1mm	FZM	1140	20W	57	15°
134555 Caster S35004S/FSM/20W/80/A15	Ø106x163x150mm±1mm	FSM	1140	20W	57	15°
134556 Caster S35004S/FSH/20W/80/A15	Ø106x163x150mm±1mm	FSH	1680	20W	84	15°
134557 Caster S35004S/BVF/20W/80/A30	Ø106x163x150mm±1mm	BVF	1540	20W	77	30°
134558 Caster S35004S/FBS/20W/80/A30	Ø106x163x150mm±1mm	FBS	1220	20W	61	30°
134559 Caster S35004S/FZM/20W/80/A30	Ø106x163x150mm±1mm	FZM	1140	20W	57	30°
134560 Caster S35004S/FSM/20W/80/A30	Ø106x163x150mm±1mm	FSM	1140	20W	57	30°
134561 Caster S35004S/FSH/20W/80/A30	Ø106x163x150mm±1mm	FSH	1680	20W	84	30°
134562 Caster S35004S/BVF/20W/80/A45	Ø106x163x150mm±1mm	BVF	1540	20W	77	45°
134563 Caster S35004S/FBS/20W/80/A45	Ø106x163x150mm±1mm	FBS	1220	20W	61	45°
134564 Caster S35004S/FZM/20W/80/A45	Ø106x163x150mm±1mm	FZM	1140	20W	57	45°
134565 Caster S35004S/FSM/20W/80/A45	Ø106x163x150mm±1mm	FSM	1140	20W	57	45°
134566 Caster S35004S/FSH/20W/80/A45	Ø106x163x150mm±1mm	FSH	1680	20W	84	45°
134567 Caster S35004S/BVF/20W/80/A60	Ø106x163x150mm±1mm	BVF	1540	20W	77	60°
134568 Caster S35004S/FBS/20W/80/A60	Ø106x163x150mm±1mm	FBS	1220	20W	61	60°
134569 Caster S35004S/FZM/20W/80/A60	Ø106x163x150mm±1mm	FZM	1140	20W	57	60°
134570 Caster S35004S/FSM/20W/80/A60	Ø106x163x150mm±1mm	FSM	1140	20W	57	60°
134571 Caster S35004S/FSH/20W/80/A60	Ø106x163x150mm±1mm	FSH	1680	20W	84	60°
134577 Caster S35004S/2700/50W/80/A15	Ø106x163x150mm±1mm	2700	5000	50W	100	15°
134578 Caster S35004S/3000/50W/80/A15	Ø106x163x150mm±1mm	3000	5000	50W	100	15°
134579 Caster S35004S/3500/50W/80/A15	Ø106x163x150mm±1mm	3500	5150	50W	103	15°
134580 Caster S35004S/4000/50W/80/A15	Ø106x163x150mm±1mm	4000	5300	50W	106	15°
134582 Caster S35004S/2700/50W/80/A30	Ø106x163x150mm±1mm	2700	5000	50W	100	30°
134583 Caster S35004S/3000/50W/80/A30	Ø106x163x150mm±1mm	3000	5000	50W	100	30°
134584 Caster S35004S/3500/50W/80/A30	Ø106x163x150mm±1mm	3500	5150	50W	103	30°
134585 Caster S35004S/4000/50W/80/A30	Ø106x163x150mm±1mm	4000	5300	50W	106	30°
134587 Caster S35004S/2700/50W/80/A45	Ø106x163x150mm±1mm	2700	5000	50W	100	45°
134588 Caster S35004S/3000/50W/80/A45	Ø106x163x150mm±1mm	3000	5000	50W	100	45°
134589 Caster S35004S/3500/50W/80/A45	Ø106x163x150mm±1mm	3500	5150	50W	103	45°
134590 Caster S35004S/4000/50W/80/A45	Ø106x163x150mm±1mm	4000	5300	50W	106	45°
134592 Caster S35004S/2700/50W/80/A60	Ø106x163x150mm±1mm	2700	5000	50W	100	60°
134593 Caster S35004S/3000/50W/80/A60	Ø106x163x150mm±1mm	3000	5000	50W	100	60°
134594 Caster S35004S/3500/50W/80/A60	Ø106x163x150mm±1mm	3500	5150	50W	103	60°
134595 Caster S35004S/4000/50W/80/A60	Ø106x163x150mm±1mm	4000	5300	50W	106	60°

SKU SPECIFICATIONS

Product Code	Dimensions (mm)	CCT (K)	Lumens (lm)	Power (W)	Eff. (lm/watt)	Lens Angle (°)
CRI 80						
134597 Caster S35034 /2700/50W/80/A90	Ø106x163x150mm±1mm	2700	5000	50W	100	90°
134598 Caster S35034 /3000/50W/80/A90	Ø106x163x150mm±1mm	3000	5000	50W	100	90°
134599 Caster S35034 /3500/50W/80/A90	Ø106x163x150mm±1mm	3500	5150	50W	103	90°
134600 Caster S35034 /4000/50W/80/A90	Ø106x163x150mm±1mm	4000	5300	50W	106	90°
134682 Caster S35004S/AMB2200/14W/80/A15	Ø106x163x150mm±1mm	AMB2200K	1020	14W	73	15°
134683 Caster S35004S/AMB2200/14W/80/A30	Ø106x163x150mm±1mm	AMB2200K	1020	14W	73	30°
134684 Caster S35004S/AMB2200/14W/80/A45	Ø106x163x150mm±1mm	AMB2200K	1020	14W	73	45°
134685 Caster S35004S/AMB2200/14W/80/A60	Ø106x163x150mm±1mm	AMB2200K	1020	14W	73	60°
134686 Caster S35034 /AMB2200/14W/80/A90	Ø106x163x150mm±1mm	AMB2200K	1020	14W	73	90°
134687 Caster S35004S/AMB2200/20W/80/A15	Ø106x163x150mm±1mm	AMB2200K	1410	20W	71	15°
134688 Caster S35004S/AMB2200/20W/80/A30	Ø106x163x150mm±1mm	AMB2200K	1410	20W	71	30°
134689 Caster S35004S/AMB2200/20W/80/A45	Ø106x163x150mm±1mm	AMB2200K	1410	20W	71	45°
134690 Caster S35004S/AMB2200/20W/80/A60	Ø106x163x150mm±1mm	AMB2200K	1410	20W	71	60°
134691 Caster S35034 /AMB2200/20W/80/A90	Ø106x163x150mm±1mm	AMB2200K	1410	20W	71	90°
134692 Caster S35004S/AMB2200/27W/80/A15	Ø106x163x150mm±1mm	AMB2200K	1870	27W	70	15°
134693 Caster S35004S/AMB2200/27W/80/A30	Ø106x163x150mm±1mm	AMB2200K	1870	27W	70	30°
134694 Caster S35004S/AMB2200/27W/80/A45	Ø106x163x150mm±1mm	AMB2200K	1870	27W	70	45°
134695 Caster S35004S/AMB2200/27W/80/A60	Ø106x163x150mm±1mm	AMB2200K	1870	27W	70	60°
134696 Caster S35034 /AMB2200/27W/80/A90	Ø106x163x150mm±1mm	AMB2200K	1870	27W	70	90°
134697 Caster S35004S/AMB2200/35W/80/A15	Ø106x163x150mm±1mm	AMB2200K	2585	35W	74	15°
134698 Caster S35004S/AMB2200/35W/80/A30	Ø106x163x150mm±1mm	AMB2200K	2585	35W	74	30°
134699 Caster S35004S/AMB2200/35W/80/A45	Ø106x163x150mm±1mm	AMB2200K	2585	35W	74	45°
134700 Caster S35004S/AMB2200/35W/80/A60	Ø106x163x150mm±1mm	AMB2200K	2585	35W	74	60°
134701 Caster S35034 /AMB2200/35W/80/A90	Ø106x163x150mm±1mm	AMB2200K	2585	35W	74	90°
134702 Caster S35004S/AMB2200/42W/80/A15	Ø106x163x150mm±1mm	AMB2200K	2930	42W	70	15°
134703 Caster S35004S/AMB2200/42W/80/A30	Ø106x163x150mm±1mm	AMB2200K	2930	42W	70	30°
134704 Caster S35004S/AMB2200/42W/80/A45	Ø106x163x150mm±1mm	AMB2200K	2930	42W	70	45°
134705 Caster S35004S/AMB2200/42W/80/A60	Ø106x163x150mm±1mm	AMB2200K	2930	42W	70	60°
134706 Caster S35034 /AMB2200/42W/80/A90	Ø106x163x150mm±1mm	AMB2200K	2930	42W	70	90°
CRI 90						
134712 Caster S35004S/ENT5600/16W/90/A15	Ø106x163x150mm±1mm	ENT5600	1555	16W	98	15°
134713 Caster S35004S/ENT5600/16W/90/A30	Ø106x163x150mm±1mm	ENT5600	1555	16W	98	30°
134714 Caster S35004S/ENT5600/16W/90/A45	Ø106x163x150mm±1mm	ENT5600	1555	16W	98	45°
134715 Caster S35004S/ENT5600/16W/90/A60	Ø106x163x150mm±1mm	ENT5600	1555	16W	98	60°
134716 Caster S35034 /ENT5600/16W/90/A90	Ø106x163x150mm±1mm	ENT5600	1555	16W	98	90°
134717 Caster S35004S/ENT5600/21W/90/A15	Ø106x163x150mm±1mm	ENT5600	2030	21W	97	15°
134718 Caster S35004S/ENT5600/21W/90/A30	Ø106x163x150mm±1mm	ENT5600	2030	21W	97	30°
134719 Caster S35004S/ENT5600/21W/90/A45	Ø106x163x150mm±1mm	ENT5600	2030	21W	97	45°
134720 Caster S35004S/ENT5600/21W/90/A60	Ø106x163x150mm±1mm	ENT5600	2030	21W	97	60°
134721 Caster S35034 /ENT5600/21W/90/A90	Ø106x163x150mm±1mm	ENT5600	2030	21W	97	90°
134722 Caster S35004S/ENT5600/27W/90/A15	Ø106x163x150mm±1mm	ENT5600	2575	27W	96	15°
134723 Caster S35004S/ENT5600/27W/90/A30	Ø106x163x150mm±1mm	ENT5600	2575	27W	96	30°
134724 Caster S35004S/ENT5600/27W/90/A45	Ø106x163x150mm±1mm	ENT5600	2575	27W	96	45°
134725 Caster S35004S/ENT5600/27W/90/A60	Ø106x163x150mm±1mm	ENT5600	2575	27W	96	60°
134726 Caster S35034 /ENT5600/27W/90/A90	Ø106x163x150mm±1mm	ENT5600	2575	27W	96	90°
134727 Caster S35004S/ENT5600/32W/90/A15	Ø106x163x150mm±1mm	ENT5600	3005	32W	94	15°
134728 Caster S35004S/ENT5600/32W/90/A30	Ø106x163x150mm±1mm	ENT5600	3005	32W	94	30°
134729 Caster S35004S/ENT5600/32W/90/A45	Ø106x163x150mm±1mm	ENT5600	3005	32W	94	45°
134730 Caster S35004S/ENT5600/32W/90/A60	Ø106x163x150mm±1mm	ENT5600	3005	32W	94	60°
134731 Caster S35034 /ENT5600/32W/90/A90	Ø106x163x150mm±1mm	ENT5600	3005	32W	94	90°

SKU SPECIFICATIONS

Product Code	Dimensions (mm)	CCT (K)	Lumens (lm)	Power (W)	Eff. (lm/watt)	Lens Angle (°)
CRI 93						
134453 Caster S35004S/AGI3000/17W/93/A15	Ø106x163x150mm±1mm	AGI3000	985	17W	58	15°
134454 Caster S35004S/AGI3500/17W/93/A15	Ø106x163x150mm±1mm	AGI3500	1050	17W	62	15°
134455 Caster S35004S/AGI4000/17W/93/A15	Ø106x163x150mm±1mm	AGI4000	1115	17W	66	15°
134456 Caster S35004S/AGI3000/17W/93/A30	Ø106x163x150mm±1mm	AGI3000	985	17W	58	30°
134457 Caster S35004S/AGI3500/17W/93/A30	Ø106x163x150mm±1mm	AGI3500	1050	17W	62	30°
134458 Caster S35004S/AGI4000/17W/93/A30	Ø106x163x150mm±1mm	AGI4000	1115	17W	66	30°
134459 Caster S35004S/AGI3000/17W/93/A45	Ø106x163x150mm±1mm	AGI3000	985	17W	58	45°
134460 Caster S35004S/AGI3500/17W/93/A45	Ø106x163x150mm±1mm	AGI3500	1050	17W	62	45°
134461 Caster S35004S/AGI4000/17W/93/A45	Ø106x163x150mm±1mm	AGI4000	1115	17W	66	45°
134462 Caster S35004S/AGI3000/17W/93/A60	Ø106x163x150mm±1mm	AGI3000	985	17W	58	60°
134463 Caster S35004S/AGI3500/17W/93/A60	Ø106x163x150mm±1mm	AGI3500	1050	17W	62	60°
134464 Caster S35004S/AGI4000/17W/93/A60	Ø106x163x150mm±1mm	AGI4000	1115	17W	66	60°
134465 Caster S35034 /AGI3000/17W/93/A90	Ø106x163x150mm±1mm	AGI3000	985	17W	58	90°
134466 Caster S35034 /AGI3500/17W/93/A90	Ø106x163x150mm±1mm	AGI3500	1050	17W	62	90°
134467 Caster S35034 /AGI4000/17W/93/A90	Ø106x163x150mm±1mm	AGI4000	1115	17W	66	90°
134471 Caster S35004S/AGI3000/23W/93/A15	Ø106x163x150mm±1mm	AGI3000	1330	23W	58	15°
134472 Caster S35004S/AGI3500/23W/93/A15	Ø106x163x150mm±1mm	AGI3500	1440	23W	63	15°
134473 Caster S35004S/AGI4000/23W/93/A15	Ø106x163x150mm±1mm	AGI4000	1550	23W	68	15°
134474 Caster S35004S/AGI3000/23W/93/A30	Ø106x163x150mm±1mm	AGI3000	1330	23W	58	30°
134475 Caster S35004S/AGI3500/23W/93/A30	Ø106x163x150mm±1mm	AGI3500	1440	23W	63	30°
134476 Caster S35004S/AGI4000/23W/93/A30	Ø106x163x150mm±1mm	AGI4000	1550	23W	68	30°
134477 Caster S35004S/AGI3000/23W/93/A45	Ø106x163x150mm±1mm	AGI3000	1330	23W	58	45°
134478 Caster S35004S/AGI3500/23W/93/A45	Ø106x163x150mm±1mm	AGI3500	1440	23W	63	45°
134479 Caster S35004S/AGI4000/23W/93/A45	Ø106x163x150mm±1mm	AGI4000	1550	23W	68	45°
134480 Caster S35004S/AGI3000/23W/93/A60	Ø106x163x150mm±1mm	AGI3000	1330	23W	58	60°
134481 Caster S35004S/AGI3500/23W/93/A60	Ø106x163x150mm±1mm	AGI3500	1440	23W	63	60°
134482 Caster S35004S/AGI4000/23W/93/A60	Ø106x163x150mm±1mm	AGI4000	1550	23W	68	60°
134483 Caster S35034 /AGI3000/23W/93/A90	Ø106x163x150mm±1mm	AGI3000	1330	23W	58	90°
134484 Caster S35034 /AGI3500/23W/93/A90	Ø106x163x150mm±1mm	AGI3500	1440	23W	63	90°
134485 Caster S35034 /AGI4000/23W/93/A90	Ø106x163x150mm±1mm	AGI4000	1550	23W	68	90°
134489 Caster S35004S/AGI3000/29W/93/A15	Ø106x163x150mm±1mm	AGI3000	1680	29W	58	15°
134490 Caster S35004S/AGI3500/29W/93/A15	Ø106x163x150mm±1mm	AGI3500	1820	29W	63	15°
134491 Caster S35004S/AGI4000/29W/93/A15	Ø106x163x150mm±1mm	AGI4000	1960	29W	68	15°
134492 Caster S35004S/AGI3000/29W/93/A30	Ø106x163x150mm±1mm	AGI3000	1680	29W	58	30°
134493 Caster S35004S/AGI3500/29W/93/A30	Ø106x163x150mm±1mm	AGI3500	1820	29W	63	30°
134494 Caster S35004S/AGI4000/29W/93/A30	Ø106x163x150mm±1mm	AGI4000	1960	29W	68	30°
134495 Caster S35004S/AGI3000/29W/93/A45	Ø106x163x150mm±1mm	AGI3000	1680	29W	58	45°
134496 Caster S35004S/AGI3500/29W/93/A45	Ø106x163x150mm±1mm	AGI3500	1820	29W	63	45°
134497 Caster S35004S/AGI4000/29W/93/A45	Ø106x163x150mm±1mm	AGI4000	1960	29W	68	45°
134498 Caster S35004S/AGI3000/29W/93/A60	Ø106x163x150mm±1mm	AGI3000	1680	29W	58	60°
134499 Caster S35004S/AGI3500/29W/93/A60	Ø106x163x150mm±1mm	AGI3500	1820	29W	63	60°
134500 Caster S35004S/AGI4000/29W/93/A60	Ø106x163x150mm±1mm	AGI4000	1960	29W	68	60°
134501 Caster S35034 /AGI3000/29W/93/A90	Ø106x163x150mm±1mm	AGI3000	1680	29W	58	90°
134502 Caster S35034 /AGI3500/29W/93/A90	Ø106x163x150mm±1mm	AGI3500	1820	29W	63	90°
134503 Caster S35034 /AGI4000/29W/93/A90	Ø106x163x150mm±1mm	AGI4000	1960	29W	68	90°
134507 Caster S35004S/AGI3000/34W/93/A15	Ø106x163x150mm±1mm	AGI3000	1900	34W	56	15°
134508 Caster S35004S/AGI3500/34W/93/A15	Ø106x163x150mm±1mm	AGI3500	1995	34W	59	15°
134509 Caster S35004S/AGI4000/34W/93/A15	Ø106x163x150mm±1mm	AGI4000	2095	34W	62	15°
134510 Caster S35004S/AGI3000/34W/93/A30	Ø106x163x150mm±1mm	AGI3000	1900	34W	56	30°
134511 Caster S35004S/AGI3500/34W/93/A30	Ø106x163x150mm±1mm	AGI3500	1995	34W	59	30°
134512 Caster S35004S/AGI4000/34W/93/A30	Ø106x163x150mm±1mm	AGI4000	2095	34W	62	30°
134513 Caster S35004S/AGI3000/34W/93/A45	Ø106x163x150mm±1mm	AGI3000	1900	34W	56	45°
134514 Caster S35004S/AGI3500/34W/93/A45	Ø106x163x150mm±1mm	AGI3500	1995	34W	59	45°
134515 Caster S35004S/AGI4000/34W/93/A45	Ø106x163x150mm±1mm	AGI4000	2095	34W	62	45°

SKU SPECIFICATIONS

Product Code	Dimensions (mm)	CCT (K)	Lumens (lm)	Power (W)	Eff. (lm/watt)	Lens Angle (°)
CRI 93						
134516 Caster S35004S/AGI3000/34W/93/A60	Ø106x163x150mm±1mm	AGI3000	1900	34W	56	60°
134517 Caster S35004S/AGI3500/34W/93/A60	Ø106x163x150mm±1mm	AGI3500	1995	34W	59	60°
134518 Caster S35004S/AGI4000/34W/93/A60	Ø106x163x150mm±1mm	AGI4000	2095	34W	62	60°
134519 Caster S35034 /AGI3000/34W/93/A90	Ø106x163x150mm±1mm	AGI3000	1900	34W	56	90°
134520 Caster S35034 /AGI3500/34W/93/A90	Ø106x163x150mm±1mm	AGI3500	1995	34W	59	90°
134521 Caster S35034 /AGI4000/34W/93/A90	Ø106x163x150mm±1mm	AGI4000	2095	34W	62	90°
CRI 95						
134322 Caster S35004S/FAS/27W/95/A15	Ø106x163x150mm±1mm	FAS	2080	27W	78	15°
134323 Caster S35004S/FAS/27W/95/A30	Ø106x163x150mm±1mm	FAS	2080	27W	78	30°
134324 Caster S35004S/FAS/27W/95/A45	Ø106x163x150mm±1mm	FAS	2080	27W	78	45°
134325 Caster S35004S/FAS/27W/95/A60	Ø106x163x150mm±1mm	FAS	2080	27W	78	60°
134326 Caster S35004S/FAS/35W/95/A15	Ø106x163x150mm±1mm	FAS	2535	35W	73	15°
134327 Caster S35004S/FAS/35W/95/A30	Ø106x163x150mm±1mm	FAS	2535	35W	73	30°
134328 Caster S35004S/FAS/35W/95/A45	Ø106x163x150mm±1mm	FAS	2535	35W	73	45°
134329 Caster S35004S/FAS/35W/95/A60	Ø106x163x150mm±1mm	FAS	2535	35W	73	60°
134330 Caster S35004S/FAS/42W/95/A15	Ø106x163x150mm±1mm	FAS	2930	42W	70	15°
134331 Caster S35004S/FAS/42W/95/A30	Ø106x163x150mm±1mm	FAS	2930	42W	70	30°
134332 Caster S35004S/FAS/42W/95/A45	Ø106x163x150mm±1mm	FAS	2930	42W	70	45°
134333 Caster S35004S/FAS/42W/95/A60	Ø106x163x150mm±1mm	FAS	2930	42W	70	60°
134602 Caster S35004S/2700/14W/95/A15	Ø106x163x150mm±1mm	2700	1225	14W	88	15°
134603 Caster S35004S/3000/14W/95/A15	Ø106x163x150mm±1mm	3000	1240	14W	89	15°
134604 Caster S35004S/3500/14W/95/A15	Ø106x163x150mm±1mm	3500	1270	14W	91	15°
134605 Caster S35004S/4000/14W/95/A15	Ø106x163x150mm±1mm	4000	1295	14W	93	15°
134606 Caster S35004S/2700/14W/95/A30	Ø106x163x150mm±1mm	2700	1225	14W	88	30°
134607 Caster S35004S/3000/14W/95/A30	Ø106x163x150mm±1mm	3000	1240	14W	89	30°
134608 Caster S35004S/3500/14W/95/A30	Ø106x163x150mm±1mm	3500	1270	14W	91	30°
134609 Caster S35004S/4000/14W/95/A30	Ø106x163x150mm±1mm	4000	1295	14W	93	30°
134610 Caster S35004S/2700/14W/95/A45	Ø106x163x150mm±1mm	2700	1225	14W	88	45°
134611 Caster S35004S/3000/14W/95/A45	Ø106x163x150mm±1mm	3000	1240	14W	89	45°
134612 Caster S35004S/3500/14W/95/A45	Ø106x163x150mm±1mm	3500	1270	14W	91	45°
134613 Caster S35004S/4000/14W/95/A45	Ø106x163x150mm±1mm	4000	1295	14W	93	45°
134614 Caster S35034 /2700/14W/95/A90	Ø106x163x150mm±1mm	2700	1225	14W	88	90°
134615 Caster S35034 /3000/14W/95/A90	Ø106x163x150mm±1mm	3000	1240	14W	89	90°
134616 Caster S35034 /3500/14W/95/A90	Ø106x163x150mm±1mm	3500	1270	14W	91	90°
134617 Caster S35034 /4000/14W/95/A90	Ø106x163x150mm±1mm	4000	1295	14W	93	90°
134618 Caster S35004S/2700/20W/95/A15	Ø106x163x150mm±1mm	2700	1655	20W	83	15°
134619 Caster S35004S/3000/20W/95/A15	Ø106x163x150mm±1mm	3000	1675	20W	84	15°
134620 Caster S35004S/3500/20W/95/A15	Ø106x163x150mm±1mm	3500	1720	20W	86	15°
134621 Caster S35004S/4000/20W/95/A15	Ø106x163x150mm±1mm	4000	1750	20W	88	15°
134622 Caster S35004S/2700/20W/95/A30	Ø106x163x150mm±1mm	2700	1655	20W	83	30°
134623 Caster S35004S/3000/20W/95/A30	Ø106x163x150mm±1mm	3000	1675	20W	84	30°
134624 Caster S35004S/3500/20W/95/A30	Ø106x163x150mm±1mm	3500	1720	20W	86	30°
134625 Caster S35004S/4000/20W/95/A30	Ø106x163x150mm±1mm	4000	1750	20W	88	30°
134626 Caster S35004S/2700/20W/95/A45	Ø106x163x150mm±1mm	2700	1655	20W	83	45°
134627 Caster S35004S/3000/20W/95/A45	Ø106x163x150mm±1mm	3000	1675	20W	84	45°
134628 Caster S35004S/3500/20W/95/A45	Ø106x163x150mm±1mm	3500	1720	20W	86	45°
134629 Caster S35004S/4000/20W/95/A45	Ø106x163x150mm±1mm	4000	1750	20W	88	45°
134630 Caster S35034 /2700/20W/95/A90	Ø106x163x150mm±1mm	2700	1655	20W	83	90°
134631 Caster S35034 /3000/20W/95/A90	Ø106x163x150mm±1mm	3000	1675	20W	84	90°
134632 Caster S35034 /3500/20W/95/A90	Ø106x163x150mm±1mm	3500	1720	20W	86	90°
134633 Caster S35034 /4000/20W/95/A90	Ø106x163x150mm±1mm	4000	1750	20W	88	90°
134634 Caster S35004S/2700/27W/95/A15	Ø106x163x150mm±1mm	2700	2275	27W	85	15°
134635 Caster S35004S/3000/27W/95/A15	Ø106x163x150mm±1mm	3000	2295	27W	85	15°

SKU SPECIFICATIONS

Product Code	Dimensions (mm)	CCT (K)	Lumens (lm)	Power (W)	Eff. (lm/watt)	Lens Angle (°)
CRI 95						
134636 Caster S35004S/3500/27W/95/A15	Ø106x163x150mm±1mm	3500	2355	27W	88	15°
134637 Caster S35004S/4000/27W/95/A15	Ø106x163x150mm±1mm	4000	2405	27W	90	15°
134638 Caster S35004S/2700/27W/95/A30	Ø106x163x150mm±1mm	2700	2275	27W	85	30°
134639 Caster S35004S/3000/27W/95/A30	Ø106x163x150mm±1mm	3000	2295	27W	85	30°
134640 Caster S35004S/3500/27W/95/A30	Ø106x163x150mm±1mm	3500	2355	27W	88	30°
134641 Caster S35004S/4000/27W/95/A30	Ø106x163x150mm±1mm	4000	2405	27W	90	30°
134642 Caster S35004S/2700/27W/95/A45	Ø106x163x150mm±1mm	2700	2275	27W	85	45°
134643 Caster S35004S/3000/27W/95/A45	Ø106x163x150mm±1mm	3000	2295	27W	85	45°
134644 Caster S35004S/3500/27W/95/A45	Ø106x163x150mm±1mm	3500	2355	27W	88	45°
134645 Caster S35004S/4000/27W/95/A45	Ø106x163x150mm±1mm	4000	2405	27W	90	45°
134646 Caster S35034 /2700/27W/95/A90	Ø106x163x150mm±1mm	2700	2275	27W	85	90°
134647 Caster S35034 /3000/27W/95/A90	Ø106x163x150mm±1mm	3000	2295	27W	85	90°
134648 Caster S35034 /3500/27W/95/A90	Ø106x163x150mm±1mm	3500	2355	27W	88	90°
134649 Caster S35034 /4000/27W/95/A90	Ø106x163x150mm±1mm	4000	2405	27W	90	90°
134650 Caster S35004S/2700/35W/95/A15	Ø106x163x150mm±1mm	2700	2805	35W	81	15°
134651 Caster S35004S/3000/35W/95/A15	Ø106x163x150mm±1mm	3000	2830	35W	81	15°
134652 Caster S35004S/3500/35W/95/A15	Ø106x163x150mm±1mm	3500	2910	35W	84	15°
134653 Caster S35004S/4000/35W/95/A15	Ø106x163x150mm±1mm	4000	2965	35W	85	15°
134654 Caster S35004S/2700/35W/95/A30	Ø106x163x150mm±1mm	2700	2805	35W	81	30°
134655 Caster S35004S/3000/35W/95/A30	Ø106x163x150mm±1mm	3000	2830	35W	81	30°
134656 Caster S35004S/3500/35W/95/A30	Ø106x163x150mm±1mm	3500	2910	35W	84	30°
134657 Caster S35004S/4000/35W/95/A30	Ø106x163x150mm±1mm	4000	2965	35W	85	30°
134658 Caster S35004S/2700/35W/95/A45	Ø106x163x150mm±1mm	2700	2805	35W	81	45°
134659 Caster S35004S/3000/35W/95/A45	Ø106x163x150mm±1mm	3000	2830	35W	81	45°
134660 Caster S35004S/3500/35W/95/A45	Ø106x163x150mm±1mm	3500	2910	35W	84	45°
134661 Caster S35004S/4000/35W/95/A45	Ø106x163x150mm±1mm	4000	2965	35W	85	45°
134662 Caster S35034 /2700/35W/95/A90	Ø106x163x150mm±1mm	2700	2805	35W	81	90°
134663 Caster S35034 /3000/35W/95/A90	Ø106x163x150mm±1mm	3000	2830	35W	81	90°
134664 Caster S35034 /3500/35W/95/A90	Ø106x163x150mm±1mm	3500	2910	35W	84	90°
134665 Caster S35034 /4000/35W/95/A90	Ø106x163x150mm±1mm	4000	2965	35W	85	90°
134666 Caster S35004S/2700/42W/95/A15	Ø106x163x150mm±1mm	2700	3190	42W	76	15°
134667 Caster S35004S/3000/42W/95/A15	Ø106x163x150mm±1mm	3000	3220	42W	77	15°
134668 Caster S35004S/3500/42W/95/A15	Ø106x163x150mm±1mm	3500	3310	42W	79	15°
134669 Caster S35004S/4000/42W/95/A15	Ø106x163x150mm±1mm	4000	3375	42W	81	15°
134670 Caster S35004S/2700/42W/95/A30	Ø106x163x150mm±1mm	2700	3190	42W	76	30°
134671 Caster S35004S/3000/42W/95/A30	Ø106x163x150mm±1mm	3000	3220	42W	77	30°
134672 Caster S35004S/3500/42W/95/A30	Ø106x163x150mm±1mm	3500	3310	42W	79	30°
134673 Caster S35004S/4000/42W/95/A30	Ø106x163x150mm±1mm	4000	3375	42W	81	30°
134674 Caster S35004S/2700/42W/95/A45	Ø106x163x150mm±1mm	2700	3190	42W	76	45°
134675 Caster S35004S/3000/42W/95/A45	Ø106x163x150mm±1mm	3000	3220	42W	77	45°
134676 Caster S35004S/3500/42W/95/A45	Ø106x163x150mm±1mm	3500	3310	42W	79	45°
134677 Caster S35004S/4000/42W/95/A45	Ø106x163x150mm±1mm	4000	3375	42W	81	45°
134678 Caster S35034 /2700/42W/95/A90	Ø106x163x150mm±1mm	2700	3190	42W	76	90°
134679 Caster S35034 /3000/42W/95/A90	Ø106x163x150mm±1mm	3000	3220	42W	77	90°
134680 Caster S35034 /3500/42W/95/A90	Ø106x163x150mm±1mm	3500	3310	42W	79	90°
134681 Caster S35034 /4000/42W/95/A90	Ø106x163x150mm±1mm	4000	3375	42W	81	90°
CRI 97						
134740 Caster S35004S/ENT5600/16W/97/A15	Ø106x163x150mm±1mm	ENT5600	1385	16W	87	15°
134741 Caster S35004S/ENT5600/16W/97/A30	Ø106x163x150mm±1mm	ENT5600	1385	16W	87	30°
134742 Caster S35004S/ENT5600/16W/97/A45	Ø106x163x150mm±1mm	ENT5600	1385	16W	87	45°
134743 Caster S35004S/ENT5600/16W/97/A60	Ø106x163x150mm±1mm	ENT5600	1385	16W	87	60°
134744 Caster S35034 /ENT5600/16W/97/A90	Ø106x163x150mm±1mm	ENT5600	1385	16W	87	90°
134745 Caster S35004S/ENT5600/21W/97/A15	Ø106x163x150mm±1mm	ENT5600	1825	21W	87	15°

SKU SPECIFICATIONS

Product Code	Dimensions (mm)	CCT (K)	Lumens (lm)	Power (W)	Eff. (lm/watt)	Lens Angle (°)
CRI 97						
134746 Caster S35004S/ENT5600/21W/97/A30	Ø106x163x150mm±1mm	ENT5600	1825	21W	87	30°
134747 Caster S35004S/ENT5600/21W/97/A45	Ø106x163x150mm±1mm	ENT5600	1825	21W	87	45°
134748 Caster S35004S/ENT5600/21W/97/A60	Ø106x163x150mm±1mm	ENT5600	1825	21W	87	60°
134749 Caster S35034 /ENT5600/21W/97/A90	Ø106x163x150mm±1mm	ENT5600	1825	21W	87	90°
134750 Caster S35004S/ENT5600/27W/97/A15	Ø106x163x150mm±1mm	ENT5600	2310	27W	86	15°
134751 Caster S35004S/ENT5600/27W/97/A30	Ø106x163x150mm±1mm	ENT5600	2310	27W	86	30°
134752 Caster S35004S/ENT5600/27W/97/A45	Ø106x163x150mm±1mm	ENT5600	2310	27W	86	45°
134753 Caster S35004S/ENT5600/27W/97/A60	Ø106x163x150mm±1mm	ENT5600	2310	27W	86	60°
134754 Caster S35034 /ENT5600/27W/97/A90	Ø106x163x150mm±1mm	ENT5600	2310	27W	86	90°
134755 Caster S35004S/ENT5600/32W/97/A15	Ø106x163x150mm±1mm	ENT5600	2670	32W	84	15°
134756 Caster S35004S/ENT5600/32W/97/A30	Ø106x163x150mm±1mm	ENT5600	2670	32W	84	30°
134757 Caster S35004S/ENT5600/32W/97/A45	Ø106x163x150mm±1mm	ENT5600	2670	32W	84	45°
134758 Caster S35004S/ENT5600/32W/97/A60	Ø106x163x150mm±1mm	ENT5600	2670	32W	84	60°
134759 Caster S35034 /ENT5600/32W/97/A90	Ø106x163x150mm±1mm	ENT5600	2670	32W	84	90°
CRI 98						
134437 Caster S35004S/ART3000/27W/98/A15	Ø106x163x150mm±1mm	ART3000	1995	27W	74	15°
134438 Caster S35004S/ART3000/27W/98/A30	Ø106x163x150mm±1mm	ART3000	1995	27W	74	30°
134439 Caster S35004S/ART3000/27W/98/A45	Ø106x163x150mm±1mm	ART3000	1995	27W	74	45°
134441 Caster S35004S/ART3000/35W/98/A15	Ø106x163x150mm±1mm	ART3000	2425	35W	70	15°
134442 Caster S35004S/ART3000/35W/98/A30	Ø106x163x150mm±1mm	ART3000	2425	35W	70	30°
134443 Caster S35004S/ART3000/35W/98/A45	Ø106x163x150mm±1mm	ART3000	2425	35W	70	45°
134445 Caster S35004S/ART3000/42W/98/A15	Ø106x163x150mm±1mm	ART3000	2755	42W	66	15°
134446 Caster S35004S/ART3000/42W/98/A30	Ø106x163x150mm±1mm	ART3000	2755	42W	66	30°
134447 Caster S35004S/ART3000/42W/98/A45	Ø106x163x150mm±1mm	ART3000	2755	42W	66	45°