



Tulip L

SURFACE MOUNTED | NON-DALI SERIES

A highly elegant, compact track spotlight. The radiator is encased in the aluminum housing, allowing for a smooth design. Tulip L range includes several special color temperatures for food, art and fashion. Especially suitable for commercial spaces and showrooms that require a sleek, minimalistic luminaire.

The modern touch is given by the aluminum housing and three color options: signal white, jet black and white aluminum.

Available in two series, with different add-ons and controls:

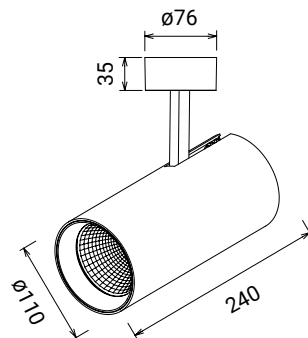
- Tulip L Non-DALI – the standard for any project in the retail sector
- Tulip L DALI – with DALI controls for illumination adjustments

FEATURES & BENEFITS

- CRI > 90 as standard
- 4 color temperatures: 2700K, 3000K, 3500K and 4000K
- Great variety of optics – 4 angles, from narrow beams to flood beams, for each housing size
- Efficiency: 102 lm/W @4000K
- Very long service life: 50.000 h at 90% luminous flux
- Dimmable (only for DALI Series)

APPLICATION

High End Grocery & Supermarkets | Fashion Retailers | Hospitality | Art & Exhibitions



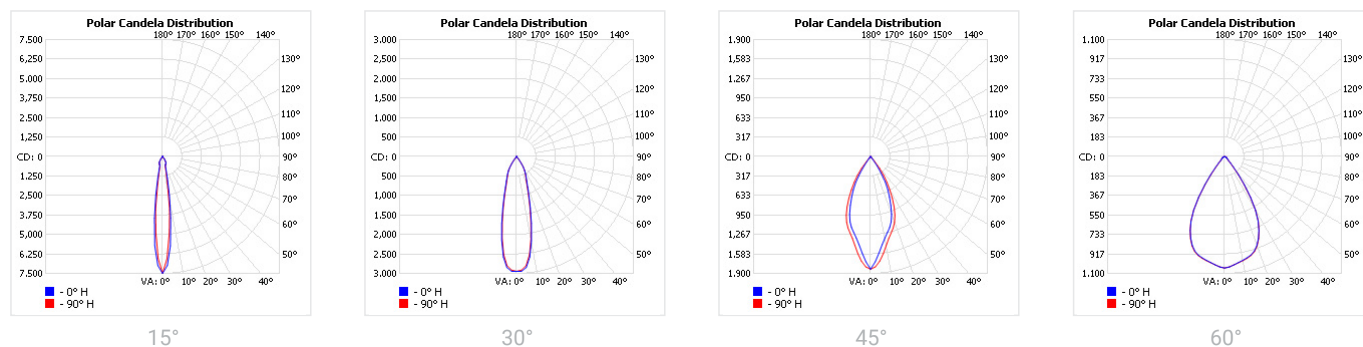
SPECIFICATIONS

Power consumption	14W, 20W, 27W, 35W
Dimensions	Ø110x240x285mm±1mm
Weight	1.7 kg
Housing materials	Aluminium, glass
IK code	IK02
THD (at 230V, 50Hz, Full load)	<8%
Protection class	Safety class 1
Operating temperature [°C]	-20°C ... +45°C / -4F ... +113F
Operating humidity [%]	10 ÷ 85
Power factor	≥0.95
AC Input [Vac]	220 - 240 VAC
Lens angle [°]	15°, 30°, 45°, 60°
Lifespan [h]	50.000
Housing color	○ RAL 9003 - Signal white, ● RAL 9005 - Jet Black, ● RAL 9006 - White Aluminium
Lumen maintenance	L90/B10@50.000h at 25°C
IP factor	IP20
Control optional	-
Warranty [years]	5
Storage temperature range [°C]	-20°C ... +55°C / -4F ... +131F
Emergency option	-

#	Standard
CRI	CRI90
CCT [K]	2700/3000/3500/4000
MacAdam	3

CRI - Color rendering, CCT - Color temperature, MacAdam - Color consistency

LIGHT DISTRIBUTION



TOLERANCES**Luminous flux tolerances:** -/+ 5%**Consumption tolerance:** -/+ 5% for Non-DALI | -/+ 10% for Non-DALI & KIT EM | -/+ 10% for DALI | -/+ 15% for DALI & KIT EM**BATTERY WARRANTY****Non-DALI EM & DALI EM:** 12 months warranty**Non-DALI & DALI:** -**MAXIMUM NO. OF LUMINAIRES ON A CIRCUIT**

Luminaire Power(W)	Control type	Circuit Breaker Type					
		B			C		
		20	16	10	20	16	10
14-20W	Non-DALI	62	50	31	104	85	52
27-35W	Non-DALI	62	50	31	104	85	52
14W	DALI	44	35	21	73	58	35
20W	DALI	40	32	18	66	53	30
27W-35W	DALI	28	22	13	46	36	21

RISK GROUP**Standard (CRI80)** RG1**FOOD (BVF, FBS, FSM)** RG1**FOOD <20W (FZM, FSH)** RG2 (dthr=1.8m)**FOOD >20W (FZM, FSH)** RG2 (dthr=2.2m)**FAS** RG1**AMB2200** RG1**ART** RG1**AGI** RG1**CRI95** RG1**RG1**

The evaluation of photobiological safety is carried out according to the standard IEC 62471:2008 ("Photobiological safety of lamps and lamp systems"). Following the definition of the risk grouping system of the mentioned IEC standard, the LEDs mounted on this family fall into the class "Low Risk (RG1 – No photobiological hazard under normal behavioral limitations)". Under real circumstances (regarding exposure time, pupils, observation distance), it is assumed that there is no endangerment to the eye from these devices. As a matter of principle, however, it should be mentioned that intense light sources have a high secondary exposure potential due to their blinding effect.

RG2

The evaluation of photobiological safety is carried out according to the standard IEC 62471:2008 ("Photobiological safety of lamps and lamp systems"). Following the definition of the risk grouping system of the mentioned IEC standard, the LEDs mounted on this family fall into the class "Moderate Risk (RG2)". Under real circumstances (regarding exposure time, pupils, observation distance), it is assumed that there is no endangerment to the eye from these devices. As a matter of principle, however, it should be mentioned that intense light sources have a high secondary exposure potential due to their blinding effect.

SKU SPECIFICATIONS

Product Code	Dimensions (mm)	CCT (K)	Lumens (lm)	Power (W)	Eff. (lm/watt)	Lens Angle (°)
CRI 90						
5G1068 TulipL SM C34017R/2700/14W/90/A15	Ø110x240x285mm±1mm	2700	1265	14W	91	15°
5G1069 TulipL SM C34017R/3000/14W/90/A15	Ø110x240x285mm±1mm	3000	1290	14W	93	15°
5G1070 TulipL SM C34017R/3500/14W/90/A15	Ø110x240x285mm±1mm	3500	1355	14W	97	15°
5G1071 TulipL SM C34017R/4000/14W/90/A15	Ø110x240x285mm±1mm	4000	1420	14W	102	15°
5G1072 TulipL SM C34017R/2700/14W/90/A30	Ø110x240x285mm±1mm	2700	1265	14W	91	30°
5G1073 TulipL SM C34017R/3000/14W/90/A30	Ø110x240x285mm±1mm	3000	1290	14W	93	30°
5G1074 TulipL SM C34017R/3500/14W/90/A30	Ø110x240x285mm±1mm	3500	1355	14W	97	30°
5G1075 TulipL SM C34017R/4000/14W/90/A30	Ø110x240x285mm±1mm	4000	1420	14W	102	30°
5G1076 TulipL SM C34017R/2700/14W/90/A45	Ø110x240x285mm±1mm	2700	1265	14W	91	45°
5G1077 TulipL SM C34017R/3000/14W/90/A45	Ø110x240x285mm±1mm	3000	1290	14W	93	45°
5G1078 TulipL SM C34017R/3500/14W/90/A45	Ø110x240x285mm±1mm	3500	1355	14W	97	45°
5G1079 TulipL SM C34017R/4000/14W/90/A45	Ø110x240x285mm±1mm	4000	1420	14W	102	45°
5G1080 TulipL SM C34017R/2700/14W/90/A60	Ø110x240x285mm±1mm	2700	1265	14W	91	60°
5G1081 TulipL SM C34017R/3000/14W/90/A60	Ø110x240x285mm±1mm	3000	1290	14W	93	60°
5G1082 TulipL SM C34017R/3500/14W/90/A60	Ø110x240x285mm±1mm	3500	1355	14W	97	60°
5G1083 TulipL SM C34017R/4000/14W/90/A60	Ø110x240x285mm±1mm	4000	1420	14W	102	60°
5G1084 TulipL SM C34017R/2700/20W/90/A15	Ø110x240x285mm±1mm	2700	1765	20W	89	15°
5G1085 TulipL SM C34017R/3000/20W/90/A15	Ø110x240x285mm±1mm	3000	1795	20W	90	15°
5G1086 TulipL SM C34017R/3500/20W/90/A15	Ø110x240x285mm±1mm	3500	1880	20W	94	15°
5G1087 TulipL SM C34017R/4000/20W/90/A15	Ø110x240x285mm±1mm	4000	1975	20W	99	15°
5G1088 TulipL SM C34017R/2700/20W/90/A30	Ø110x240x285mm±1mm	2700	1765	20W	89	30°
5G1089 TulipL SM C34017R/3000/20W/90/A30	Ø110x240x285mm±1mm	3000	1795	20W	90	30°
5G1090 TulipL SM C34017R/3500/20W/90/A30	Ø110x240x285mm±1mm	3500	1880	20W	94	30°
5G1091 TulipL SM C34017R/4000/20W/90/A30	Ø110x240x285mm±1mm	4000	1975	20W	99	30°
5G1092 TulipL SM C34017R/2700/20W/90/A45	Ø110x240x285mm±1mm	2700	1765	20W	89	45°
5G1093 TulipL SM C34017R/3000/20W/90/A45	Ø110x240x285mm±1mm	3000	1795	20W	90	45°
5G1094 TulipL SM C34017R/3500/20W/90/A45	Ø110x240x285mm±1mm	3500	1880	20W	94	45°
5G1095 TulipL SM C34017R/4000/20W/90/A45	Ø110x240x285mm±1mm	4000	1975	20W	99	45°
5G1096 TulipL SM C34017R/2700/20W/90/A60	Ø110x240x285mm±1mm	2700	1765	20W	89	60°
5G1097 TulipL SM C34017R/3000/20W/90/A60	Ø110x240x285mm±1mm	3000	1795	20W	90	60°
5G1098 TulipL SM C34017R/3500/20W/90/A60	Ø110x240x285mm±1mm	3500	1880	20W	94	60°
5G1099 TulipL SM C34017R/4000/20W/90/A60	Ø110x240x285mm±1mm	4000	1975	20W	99	60°
5G1100 TulipL SM C34017R/2700/27W/90/A15	Ø110x240x285mm±1mm	2700	2315	27W	86	15°
5G1101 TulipL SM C34017R/3000/27W/90/A15	Ø110x240x285mm±1mm	3000	2425	27W	90	15°
5G1102 TulipL SM C34017R/3500/27W/90/A15	Ø110x240x285mm±1mm	3500	2480	27W	92	15°
5G1103 TulipL SM C34017R/4000/27W/90/A15	Ø110x240x285mm±1mm	4000	2565	27W	95	15°
5G1104 TulipL SM C34017R/2700/27W/90/A30	Ø110x240x285mm±1mm	2700	2315	27W	86	30°
5G1105 TulipL SM C34017R/3000/27W/90/A30	Ø110x240x285mm±1mm	3000	2425	27W	90	30°
5G1106 TulipL SM C34017R/3500/27W/90/A30	Ø110x240x285mm±1mm	3500	2480	27W	92	30°
5G1107 TulipL SM C34017R/4000/27W/90/A30	Ø110x240x285mm±1mm	4000	2565	27W	95	30°
5G1108 TulipL SM C34017R/2700/27W/90/A45	Ø110x240x285mm±1mm	2700	2315	27W	86	45°
5G1109 TulipL SM C34017R/3000/27W/90/A45	Ø110x240x285mm±1mm	3000	2425	27W	90	45°
5G1110 TulipL SM C34017R/3500/27W/90/A45	Ø110x240x285mm±1mm	3500	2480	27W	92	45°
5G1111 TulipL SM C34017R/4000/27W/90/A45	Ø110x240x285mm±1mm	4000	2565	27W	95	45°
5G1112 TulipL SM C34017R/2700/27W/90/A60	Ø110x240x285mm±1mm	2700	2315	27W	86	60°
5G1113 TulipL SM C34017R/3000/27W/90/A60	Ø110x240x285mm±1mm	3000	2425	27W	90	60°
5G1114 TulipL SM C34017R/3500/27W/90/A60	Ø110x240x285mm±1mm	3500	2480	27W	92	60°
5G1115 TulipL SM C34017R/4000/27W/90/A60	Ø110x240x285mm±1mm	4000	2565	27W	95	60°
5G1116 TulipL SM C34017R/2700/35W/90/A15	Ø110x240x285mm±1mm	2700	3045	35W	87	15°
5G1117 TulipL SM C34017R/3000/35W/90/A15	Ø110x240x285mm±1mm	3000	3185	35W	91	15°

SKU SPECIFICATIONS

Product Code	Dimensions (mm)	CCT (K)	Lumens (lm)	Power (W)	Eff. (lm/watt)	Lens Angle (°)
CRI 90						
5G1118 TulipL SM C34017R/3500/35W/90/A15	Ø110x240x285mm±1mm	3500	3255	35W	93	15°
5G1119 TulipL SM C34017R/4000/35W/90/A15	Ø110x240x285mm±1mm	4000	3370	35W	97	15°
5G1120 TulipL SM C34017R/2700/35W/90/A30	Ø110x240x285mm±1mm	2700	3045	35W	87	30°
5G1121 TulipL SM C34017R/3000/35W/90/A30	Ø110x240x285mm±1mm	3000	3185	35W	91	30°
5G1122 TulipL SM C34017R/3500/35W/90/A30	Ø110x240x285mm±1mm	3500	3255	35W	93	30°
5G1123 TulipL SM C34017R/4000/35W/90/A30	Ø110x240x285mm±1mm	4000	3370	35W	97	30°
5G1124 TulipL SM C34017R/2700/35W/90/A45	Ø110x240x285mm±1mm	2700	3045	35W	87	45°
5G1125 TulipL SM C34017R/3000/35W/90/A45	Ø110x240x285mm±1mm	3000	3185	35W	91	45°
5G1126 TulipL SM C34017R/3500/35W/90/A45	Ø110x240x285mm±1mm	3500	3255	35W	93	45°
5G1127 TulipL SM C34017R/4000/35W/90/A45	Ø110x240x285mm±1mm	4000	3370	35W	97	45°
5G1128 TulipL SM C34017R/2700/35W/90/A60	Ø110x240x285mm±1mm	2700	3045	35W	87	60°
5G1129 TulipL SM C34017R/3000/35W/90/A60	Ø110x240x285mm±1mm	3000	3185	35W	91	60°
5G1130 TulipL SM C34017R/3500/35W/90/A60	Ø110x240x285mm±1mm	3500	3255	35W	93	60°
5G1131 TulipL SM C34017R/4000/35W/90/A60	Ø110x240x285mm±1mm	4000	3370	35W	97	60°