



Tulip S

RECESSED | DALI SERIES

A highly elegant, compact track spotlight. The radiator is encased in the aluminum housing, allowing for a smooth design. Tulip S range includes several special color temperatures for art and fashion. Especially suitable for commercial spaces and showrooms that require a sleek, minimalistic luminaire.

The modern touch is given by the aluminum housing and two color options: signal white and jet black.

Available in two series, with different add-ons and controls:

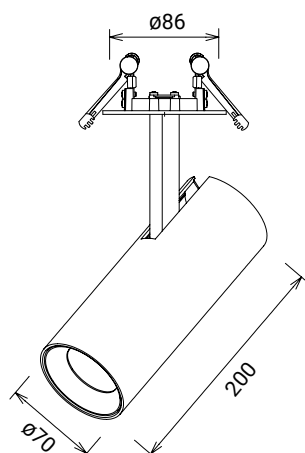
- Tulip S Non-DALI – the standard for any project in the retail sector
- Tulip S DALI – with DALI controls for illumination adjustments

APPLICATION

High End Grocery & Supermarkets | Fashion Retailers | Hospitality | Art & Exhibitions

FEATURES & BENEFITS

- CRI > 80 as standard, up to 95 for certain special colors
- 9 color temperatures, including specialized options for hospitality light and AGI light
- Great variety of optics – 4 angles, from narrow beams to flood beams, for each housing size
- Efficiency: 91 lm/W @4000K
- Very long service life: 50.000 h at 90% luminous flux
- Dimmable



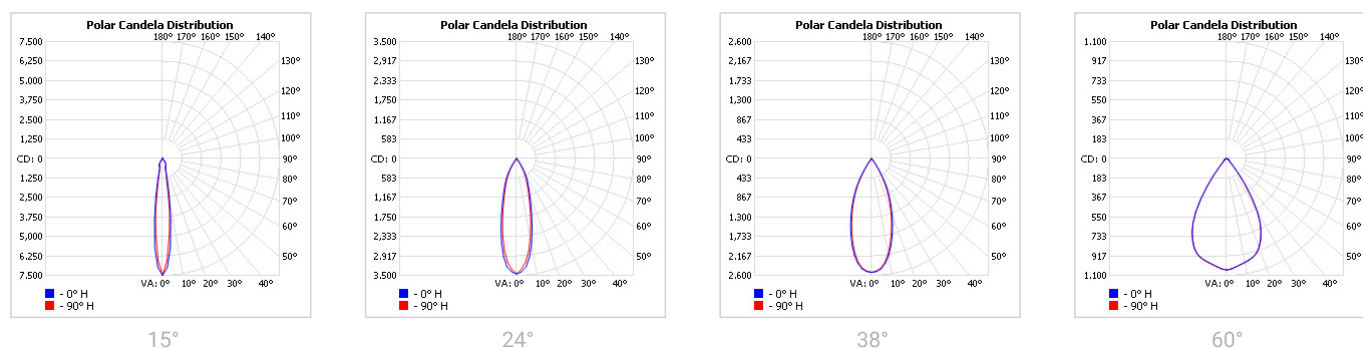
SPECIFICATIONS

Power consumption	14W, 20W
Dimensions	Ø70x200x255mm±1mm
Weight	1 kg
Housing materials	Aluminium, glass
IK code	IK02
THD (at 230V, 50Hz, Full load)	< 8%
Protection class	Safety class 1
Operating temperature [°C]	-20°C ... +45°C / -4F ... +113F
Operating humidity [%]	10 ÷ 85
Power factor	≥0.95
AC Input [Vac]	220 - 240 VAC
Lens angle [°]	15°, 24°, 38°, 60°
Lifespan [h]	50.000
Housing color	○ RAL 9003 - Signal white, ● RAL 9005 - Jet Black
Lumen maintenance	L90/B10@50.000h at 25°C
IP factor	IP20
Control optional	DALI
Warranty [years]	5
Storage temperature range [°C]	-20°C ... +55°C / -4F ... +131F
Emergency option	-

#	Standard	Fashion	AGI	AMB
CRI	CRI80	CRI95	CRI93	CRI80
CCT [K]	2700 / 3000 / 3500 / 4000	FAS	AGI 3000 / 3500 / 4000	2200
MacAdam	3	3	3	3

CRI - Color rendering, CCT - Color temperature, MacAdam - Color consistency

LIGHT DISTRIBUTION



TOLERANCES

Luminous flux tolerances: -/+ 5%

Consumption tolerance: -/+ 5% for Non-DALI | -/+ 10% for Non-DALI & KIT EM | -/+ 10% for DALI | -/+ 15% for DALI & KIT EM

BATTERY WARRANTY

Non-DALI EM & DALI EM: 12 months warranty

Non-DALI & DALI: -

MAXIMUM NO. OF LUMINAIRES ON A CIRCUIT

Luminaire Power(W)	Control type	Circuit Breaker Type					
		B			C		
		20	16	10	20	16	10
14-20W	Non-DALI	62	50	31	104	85	52
14-20W	DALI	-	130	82	-	-	-

RISK GROUP

Standard (CRI80)	RG1
FOOD (BVF, FBS, FSM)	RG1
FOOD ≤35W (FZM, FSH)	RG1
FOOD >35W (FZM, FSH)	RG2
FAS	RG1
AMB2200	RG1
ART	RG1
AGI	RG1
CRI90	RG1
CRI95	RG1
ENT	RG1

RG1

The evaluation of photobiological safety is carried out according to the standard IEC 62471:2008 ("Photobiological safety of lamps and lamp systems"). Following the definition of the risk grouping system of the mentioned IEC standard, the LEDs mounted on this family fall into the class "Low Risk (RG1 – No photobiological hazard under normal behavioral limitations)". Under real circumstances (regarding exposure time, pupils, observation distance), it is assumed that there is no endangerment to the eye from these devices. As a matter of principle, however, it should be mentioned that intense light sources have a high secondary exposure potential due to their blinding effect.

RG2

The evaluation of photobiological safety is carried out according to the standard IEC 62471:2008 ("Photobiological safety of lamps and lamp systems"). Following the definition of the risk grouping system of the mentioned IEC standard, the LEDs mounted on this family fall into the class "Moderate Risk (RG2)". Under real circumstances (regarding exposure time, pupils, observation distance), it is assumed that there is no endangerment to the eye from these devices. As a matter of principle, however, it should be mentioned that intense light sources have a high secondary exposure potential due to their blinding effect.

SKU SPECIFICATIONS

Product Code	Dimensions (mm)	CCT (K)	Lumens (lm)	Power (W)	Eff. (lm/watt)	Lens Angle (°)
CRI 80						
2G2000 TulipS RE R34014R/2700/14W/80/A15	Ø70x200x255mm±1mm	2700	1200	14W	86	15°
2G2001 TulipS RE R34014R/3000/14W/80/A15	Ø70x200x255mm±1mm	3000	1215	14W	87	15°
2G2002 TulipS RE R34014R/3500/14W/80/A15	Ø70x200x255mm±1mm	3500	1245	14W	89	15°
2G2003 TulipS RE R34014R/4000/14W/80/A15	Ø70x200x255mm±1mm	4000	1270	14W	91	15°
2G2004 TulipS RE R34014R/2700/14W/80/A24	Ø70x200x255mm±1mm	2700	1200	14W	86	24°
2G2005 TulipS RE R34014R/3000/14W/80/A24	Ø70x200x255mm±1mm	3000	1215	14W	87	24°
2G2006 TulipS RE R34014R/3500/14W/80/A24	Ø70x200x255mm±1mm	3500	1245	14W	89	24°
2G2007 TulipS RE R34014R/4000/14W/80/A24	Ø70x200x255mm±1mm	4000	1270	14W	91	24°
2G2008 TulipS RE R34014R/2700/14W/80/A38	Ø70x200x255mm±1mm	2700	1200	14W	86	38°
2G2009 TulipS RE R34014R/3000/14W/80/A38	Ø70x200x255mm±1mm	3000	1215	14W	87	38°
2G2010 TulipS RE R34014R/3500/14W/80/A38	Ø70x200x255mm±1mm	3500	1245	14W	89	38°
2G2011 TulipS RE R34014R/4000/14W/80/A38	Ø70x200x255mm±1mm	4000	1270	14W	91	38°
2G2012 TulipS RE R34014R/2700/14W/80/A60	Ø70x200x255mm±1mm	2700	1200	14W	86	60°
2G2013 TulipS RE R34014R/3000/14W/80/A60	Ø70x200x255mm±1mm	3000	1215	14W	87	60°
2G2014 TulipS RE R34014R/3500/14W/80/A60	Ø70x200x255mm±1mm	3500	1245	14W	89	60°
2G2015 TulipS RE R34014R/4000/14W/80/A60	Ø70x200x255mm±1mm	4000	1270	14W	91	60°
2G2016 TulipS RE R34014R/2700/20W/80/A15	Ø70x200x255mm±1mm	2700	1650	20W	83	15°
2G2017 TulipS RE R34014R/3000/20W/80/A15	Ø70x200x255mm±1mm	3000	1665	20W	84	15°
2G2018 TulipS RE R34014R/3500/20W/80/A15	Ø70x200x255mm±1mm	3500	1710	20W	86	15°
2G2019 TulipS RE R34014R/4000/20W/80/A15	Ø70x200x255mm±1mm	4000	1745	20W	88	15°
2G2020 TulipS RE R34014R/2700/20W/80/A24	Ø70x200x255mm±1mm	2700	1650	20W	83	24°
2G2021 TulipS RE R34014R/3000/20W/80/A24	Ø70x200x255mm±1mm	3000	1665	20W	84	24°
2G2022 TulipS RE R34014R/3500/20W/80/A24	Ø70x200x255mm±1mm	3500	1710	20W	86	24°
2G2023 TulipS RE R34014R/4000/20W/80/A24	Ø70x200x255mm±1mm	4000	1745	20W	88	24°
2G2024 TulipS RE R34014R/2700/20W/80/A38	Ø70x200x255mm±1mm	2700	1650	20W	83	38°
2G2025 TulipS RE R34014R/3000/20W/80/A38	Ø70x200x255mm±1mm	3000	1665	20W	84	38°
2G2026 TulipS RE R34014R/3500/20W/80/A38	Ø70x200x255mm±1mm	3500	1710	20W	86	38°
2G2027 TulipS RE R34014R/4000/20W/80/A38	Ø70x200x255mm±1mm	4000	1745	20W	88	38°
2G2028 TulipS RE R34014R/2700/20W/80/A60	Ø70x200x255mm±1mm	2700	1650	20W	83	60°
2G2029 TulipS RE R34014R/3000/20W/80/A60	Ø70x200x255mm±1mm	3000	1665	20W	84	60°
2G2030 TulipS RE R34014R/3500/20W/80/A60	Ø70x200x255mm±1mm	3500	1710	20W	86	60°
2G2031 TulipS RE R34014R/4000/20W/80/A60	Ø70x200x255mm±1mm	4000	1745	20W	88	60°
2G2282 TulipS RE R34014R/AMB2200/14W/80/A15	Ø70x200x255mm±1mm	AMB2200	915	14W	66	15°
2G2283 TulipS RE R34014R/AMB2200/14W/80/A24	Ø70x200x255mm±1mm	AMB2200	915	14W	66	24°
2G2284 TulipS RE R34014R/AMB2200/14W/80/A38	Ø70x200x255mm±1mm	AMB2200	915	14W	66	38°
2G2285 TulipS RE R34014R/AMB2200/14W/80/A60	Ø70x200x255mm±1mm	AMB2200	915	14W	66	60°
2G2286 TulipS RE R34014R/AMB2200/20W/80/A15	Ø70x200x255mm±1mm	AMB2200	1270	20W	64	15°
2G2287 TulipS RE R34014R/AMB2200/20W/80/A24	Ø70x200x255mm±1mm	AMB2200	1270	20W	64	24°
2G2288 TulipS RE R34014R/AMB2200/20W/80/A38	Ø70x200x255mm±1mm	AMB2200	1270	20W	64	38°
2G2289 TulipS RE R34014R/AMB2200/20W/80/A60	Ø70x200x255mm±1mm	AMB2200	1270	20W	64	60°
CRI 93						
2G2315 TulipS RE R34014R/AGI3000/14W/93/A15	Ø70x200x255mm±1mm	AGI3000	835	14W	60	15°
2G2316 TulipS RE R34014R/AGI3500/14W/93/A15	Ø70x200x255mm±1mm	AGI3500	885	14W	64	15°
2G2317 TulipS RE R34014R/AGI4000/14W/93/A15	Ø70x200x255mm±1mm	AGI4000	940	14W	68	15°
2G2318 TulipS RE R34014R/AGI3000/14W/93/A24	Ø70x200x255mm±1mm	AGI3000	835	14W	60	24°
2G2319 TulipS RE R34014R/AGI3500/14W/93/A24	Ø70x200x255mm±1mm	AGI3500	885	14W	64	24°
2G2320 TulipS RE R34014R/AGI4000/14W/93/A24	Ø70x200x255mm±1mm	AGI4000	940	14W	68	24°
2G2321 TulipS RE R34014R/AGI3000/14W/93/A38	Ø70x200x255mm±1mm	AGI3000	835	14W	60	38°
2G2322 TulipS RE R34014R/AGI3500/14W/93/A38	Ø70x200x255mm±1mm	AGI3500	885	14W	64	38°

SKU SPECIFICATIONS

Product Code	Dimensions (mm)	CCT (K)	Lumens (lm)	Power (W)	Eff. (lm/watt)	Lens Angle (°)
CRI 93						
2G2323 TulipS RE R34014R/AGI4000/14W/93/A38	Ø70x200x255mm±1mm	AGI4000	940	14W	68	38°
2G2324 TulipS RE R34014R/AGI3000/14W/93/A60	Ø70x200x255mm±1mm	AGI3000	835	14W	60	60°
2G2325 TulipS RE R34014R/AGI3500/14W/93/A60	Ø70x200x255mm±1mm	AGI3500	885	14W	64	60°
2G2326 TulipS RE R34014R/AGI4000/14W/93/A60	Ø70x200x255mm±1mm	AGI4000	940	14W	68	60°
2G2327 TulipS RE R34014R/AGI3000/20W/93/A15	Ø70x200x255mm±1mm	AGI3000	1080	20W	54	15°
2G2328 TulipS RE R34014R/AGI3500/20W/93/A15	Ø70x200x255mm±1mm	AGI3500	1145	20W	58	15°
2G2329 TulipS RE R34014R/AGI4000/20W/93/A15	Ø70x200x255mm±1mm	AGI4000	1220	20W	61	15°
2G2330 TulipS RE R34014R/AGI3000/20W/93/A24	Ø70x200x255mm±1mm	AGI3000	1080	20W	54	24°
2G2331 TulipS RE R34014R/AGI3500/20W/93/A24	Ø70x200x255mm±1mm	AGI3500	1145	20W	58	24°
2G2332 TulipS RE R34014R/AGI4000/20W/93/A24	Ø70x200x255mm±1mm	AGI4000	1220	20W	61	24°
2G2333 TulipS RE R34014R/AGI3000/20W/93/A38	Ø70x200x255mm±1mm	AGI3000	1080	20W	54	38°
2G2334 TulipS RE R34014R/AGI3500/20W/93/A38	Ø70x200x255mm±1mm	AGI3500	1145	20W	58	38°
2G2335 TulipS RE R34014R/AGI4000/20W/93/A38	Ø70x200x255mm±1mm	AGI4000	1220	20W	61	38°
2G2336 TulipS RE R34014R/AGI3000/20W/93/A60	Ø70x200x255mm±1mm	AGI3000	1080	20W	54	60°
2G2337 TulipS RE R34014R/AGI3500/20W/93/A60	Ø70x200x255mm±1mm	AGI3500	1145	20W	58	60°
2G2338 TulipS RE R34014R/AGI4000/20W/93/A60	Ø70x200x255mm±1mm	AGI4000	1220	20W	61	60°
CRI 95						
2G2414 TulipS RE R34014R/FAS/14W/95/A15	Ø70x200x255mm±1mm	FAS	1045	14W	75	15°
2G2415 TulipS RE R34014R/FAS/14W/95/A24	Ø70x200x255mm±1mm	FAS	1045	14W	75	24°
2G2416 TulipS RE R34014R/FAS/14W/95/A38	Ø70x200x255mm±1mm	FAS	1045	14W	75	38°
2G2417 TulipS RE R34014R/FAS/14W/95/A60	Ø70x200x255mm±1mm	FAS	1045	14W	75	60°
2G2418 TulipS RE R34014R/FAS/20W/95/A15	Ø70x200x255mm±1mm	FAS	1430	20W	72	15°
2G2419 TulipS RE R34014R/FAS/20W/95/A24	Ø70x200x255mm±1mm	FAS	1430	20W	72	24°
2G2420 TulipS RE R34014R/FAS/20W/95/A38	Ø70x200x255mm±1mm	FAS	1430	20W	72	38°
2G2421 TulipS RE R34014R/FAS/20W/95/A60	Ø70x200x255mm±1mm	FAS	1430	20W	72	60°