



Tulip S

TRACK SPOTLIGHTS | DALI SERIES

A highly elegant, compact track spotlight. The radiator is encased in the aluminum housing, allowing for a smooth design. As all our track lights, the Tulip S range includes several special color temperatures for art and fashion. Especially suitable for commercial spaces and showrooms that require a sleek, minimalistic luminaire.

The modern touch is given by the aluminum housing and two color options: signal white and jet black.

Available in two series, with different add-ons and controls:

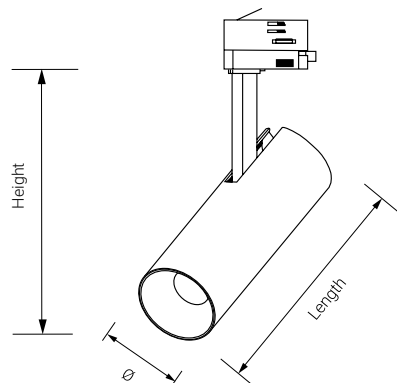
- Tulip S Non-DALI – the standard for any project in the retail sector
- Tulip S DALI – with DALI controls for illumination adjustments

APPLICATION

High End Grocery & Supermarkets | Fashion Retailers | Hospitality | Art & Exhibitions

FEATURES & BENEFITS

- CRI > 80 as standard, up to 95 for certain special colors
- 9 color temperatures, including specialized options for hospitality light and AGI light
- Great variety of optics – 4 angles, from narrow beams to flood beams, for each housing size
- Efficiency: 91 lm/W @4000K
- Very long service life: 50.000 h at 90% luminous flux
- Dimmable



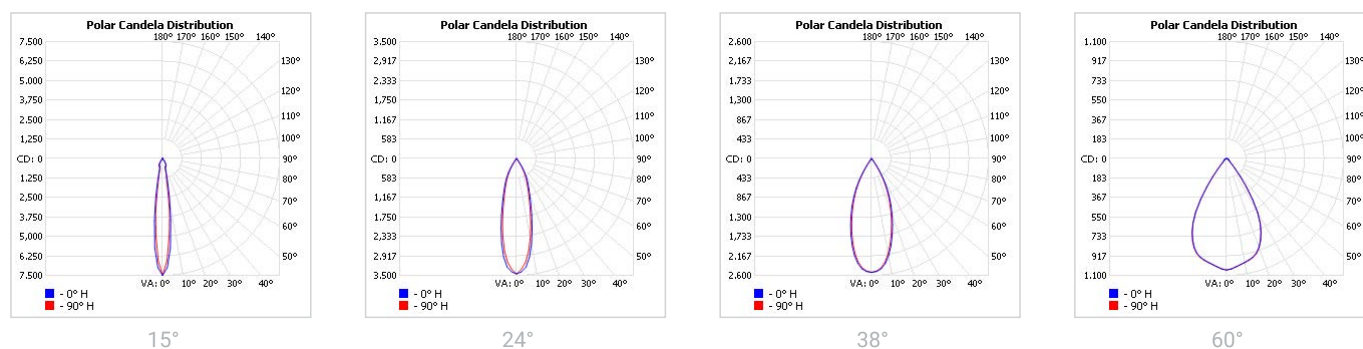
SPECIFICATIONS

Power consumption	14W, 20W
Dimensions	Ø70x200x264mm±1mm
Weight	0.8 kg
Housing materials	Aluminium, glass
IK code	IK02
THD (at 230V, 50Hz, Full load)	< 8%
Protection class	Safety class 1
Operating temperature [°C]	-20°C ... +45°C / -4F ... +113F
Operating humidity [%]	10 ÷ 85
Power factor	≥0.95
AC Input [Vac]	220 - 240 VAC
Lens angle [°]	15°, 24°, 38°, 60°
Lifespan [h]	50.000
Housing color	○ RAL 9003 - Signal white, ● RAL 9005 - Jet Black
Lumen maintenance	L90/B10@50.000h at 25°C
IP factor	IP20
Control optional	DALI
Warranty [years]	5
Storage temperature range [°C]	-20°C ... +55°C / -4F ... +131F
Emergency option	-

#	Standard	Fashion	AGI	AMB
CRI	CRI80	CRI95	CRI93	CRI80
CCT [K]	2700 / 3000 / 3500 / 4000	FAS	AGI 3000 / 3500 / 4000	2200
MacAdam	3	3	3	3

CRI - Color rendering, CCT - Color temperature, MacAdam - Color consistency

LIGHT DISTRIBUTION



TOLERANCES**Luminous flux tolerances:** -/+ 5%**Consumption tolerance:** -/+ 5% for Non-DALI | -/+ 10% for Non-DALI & KIT EM | -/+ 10% for DALI | -/+ 15% for DALI & KIT EM**BATTERY WARRANTY****Non-DALI EM & DALI EM:** 12 months warranty**Non-DALI & DALI:** -**MAXIMUM NO. OF LUMINAIRES ON A CIRCUIT**

Luminaire Power(W)	Control type	Circuit Breaker Type					
		B			C		
		20	16	10	20	16	10
14-20W	Non-DALI	62	50	31	104	85	52
14-20W	DALI	-	130	82	-	-	-

RISK GROUP**Standard (CRI80)** RG1**FOOD (BVF, FBS, FSM)** RG1**FOOD ≤35W (FZM, FSH)** RG1**FOOD >35W (FZM, FSH)** RG2**FAS** RG1**AMB2200** RG1**ART** RG1**AGI** RG1**CRI90** RG1**CRI95** RG1**ENT** RG1**RG1**

The evaluation of photobiological safety is carried out according to the standard IEC 62471:2008 ("Photobiological safety of lamps and lamp systems"). Following the definition of the risk grouping system of the mentioned IEC standard, the LEDs mounted on this family fall into the class "Low Risk (RG1 – No photobiological hazard under normal behavioral limitations)". Under real circumstances (regarding exposure time, pupils, observation distance), it is assumed that there is no endangerment to the eye from these devices. As a matter of principle, however, it should be mentioned that intense light sources have a high secondary exposure potential due to their blinding effect.

RG2

The evaluation of photobiological safety is carried out according to the standard IEC 62471:2008 ("Photobiological safety of lamps and lamp systems"). Following the definition of the risk grouping system of the mentioned IEC standard, the LEDs mounted on this family fall into the class "Moderate Risk (RG2)". Under real circumstances (regarding exposure time, pupils, observation distance), it is assumed that there is no endangerment to the eye from these devices. As a matter of principle, however, it should be mentioned that intense light sources have a high secondary exposure potential due to their blinding effect.

SKU SPECIFICATIONS

Product Code	Dimensions (mm)	CCT (K)	Lumens (lm)	Power (W)	Eff. (lm/watt)	Lens Angle (°)
CRI 80						
264400 TulipS S34014R/2700/14W/80/A15	Ø70x200x264mm±1mm	2700	1200	14W	86	15°
264401 TulipS S34014R/3000/14W/80/A15	Ø70x200x264mm±1mm	3000	1215	14W	87	15°
264402 TulipS S34014R/3500/14W/80/A15	Ø70x200x264mm±1mm	3500	1245	14W	89	15°
264403 TulipS S34014R/4000/14W/80/A15	Ø70x200x264mm±1mm	4000	1270	14W	91	15°
264404 TulipS S34014R/2700/14W/80/A24	Ø70x200x264mm±1mm	2700	1200	14W	86	24°
264405 TulipS S34014R/3000/14W/80/A24	Ø70x200x264mm±1mm	3000	1215	14W	87	24°
264406 TulipS S34014R/3500/14W/80/A24	Ø70x200x264mm±1mm	3500	1245	14W	89	24°
264407 TulipS S34014R/4000/14W/80/A24	Ø70x200x264mm±1mm	4000	1270	14W	91	24°
264408 TulipS S34014R/2700/14W/80/A38	Ø70x200x264mm±1mm	2700	1200	14W	86	38°
264409 TulipS S34014R/3000/14W/80/A38	Ø70x200x264mm±1mm	3000	1215	14W	87	38°
264410 TulipS S34014R/3500/14W/80/A38	Ø70x200x264mm±1mm	3500	1245	14W	89	38°
264411 TulipS S34014R/4000/14W/80/A38	Ø70x200x264mm±1mm	4000	1270	14W	91	38°
264412 TulipS S34014R/2700/14W/80/A60	Ø70x200x264mm±1mm	2700	1200	14W	86	60°
264413 TulipS S34014R/3000/14W/80/A60	Ø70x200x264mm±1mm	3000	1215	14W	87	60°
264414 TulipS S34014R/3500/14W/80/A60	Ø70x200x264mm±1mm	3500	1245	14W	89	60°
264415 TulipS S34014R/4000/14W/80/A60	Ø70x200x264mm±1mm	4000	1270	14W	91	60°
264416 TulipS S34014R/2700/20W/80/A15	Ø70x200x264mm±1mm	2700	1650	20W	83	15°
264417 TulipS S34014R/3000/20W/80/A15	Ø70x200x264mm±1mm	3000	1665	20W	84	15°
264418 TulipS S34014R/3500/20W/80/A15	Ø70x200x264mm±1mm	3500	1710	20W	86	15°
264419 TulipS S34014R/4000/20W/80/A15	Ø70x200x264mm±1mm	4000	1745	20W	88	15°
264420 TulipS S34014R/2700/20W/80/A24	Ø70x200x264mm±1mm	2700	1650	20W	83	24°
264421 TulipS S34014R/3000/20W/80/A24	Ø70x200x264mm±1mm	3000	1665	20W	84	24°
264422 TulipS S34014R/3500/20W/80/A24	Ø70x200x264mm±1mm	3500	1710	20W	86	24°
264423 TulipS S34014R/4000/20W/80/A24	Ø70x200x264mm±1mm	4000	1745	20W	88	24°
264424 TulipS S34014R/2700/20W/80/A38	Ø70x200x264mm±1mm	2700	1650	20W	83	38°
264425 TulipS S34014R/3000/20W/80/A38	Ø70x200x264mm±1mm	3000	1665	20W	84	38°
264426 TulipS S34014R/3500/20W/80/A38	Ø70x200x264mm±1mm	3500	1710	20W	86	38°
264427 TulipS S34014R/4000/20W/80/A38	Ø70x200x264mm±1mm	4000	1745	20W	88	38°
264428 TulipS S34014R/2700/20W/80/A60	Ø70x200x264mm±1mm	2700	1650	20W	83	60°
264429 TulipS S34014R/3000/20W/80/A60	Ø70x200x264mm±1mm	3000	1665	20W	84	60°
264430 TulipS S34014R/3500/20W/80/A60	Ø70x200x264mm±1mm	3500	1710	20W	86	60°
264431 TulipS S34014R/4000/20W/80/A60	Ø70x200x264mm±1mm	4000	1745	20W	88	60°
264719 TulipS S34014R/AMB2200/14W/80/A15	Ø70x200x264mm±1mm	AMB2200	915	14W	66	15°
264720 TulipS S34014R/AMB2200/14W/80/A24	Ø70x200x264mm±1mm	AMB2200	915	14W	66	24°
264721 TulipS S34014R/AMB2200/14W/80/A38	Ø70x200x264mm±1mm	AMB2200	915	14W	66	38°
264722 TulipS S34014R/AMB2200/14W/80/A60	Ø70x200x264mm±1mm	AMB2200	915	14W	66	60°
264723 TulipS S34014R/AMB2200/20W/80/A15	Ø70x200x264mm±1mm	AMB2200	1270	20W	64	15°
264724 TulipS S34014R/AMB2200/20W/80/A24	Ø70x200x264mm±1mm	AMB2200	1270	20W	64	24°
264725 TulipS S34014R/AMB2200/20W/80/A38	Ø70x200x264mm±1mm	AMB2200	1270	20W	64	38°
264726 TulipS S34014R/AMB2200/20W/80/A60	Ø70x200x264mm±1mm	AMB2200	1270	20W	64	60°
CRI 93						
264739 TulipS S34014R/AGI3000/14W/93/A15	Ø70x200x264mm±1mm	AGI3000	835	14W	60	15°
264740 TulipS S34014R/AGI3500/14W/93/A15	Ø70x200x264mm±1mm	AGI3500	885	14W	64	15°
264741 TulipS S34014R/AGI4000/14W/93/A15	Ø70x200x264mm±1mm	AGI4000	940	14W	68	15°
264742 TulipS S34014R/AGI3000/14W/93/A24	Ø70x200x264mm±1mm	AGI3000	835	14W	60	24°
264743 TulipS S34014R/AGI3500/14W/93/A24	Ø70x200x264mm±1mm	AGI3500	885	14W	64	24°
264744 TulipS S34014R/AGI4000/14W/93/A24	Ø70x200x264mm±1mm	AGI4000	940	14W	68	24°
264745 TulipS S34014R/AGI3000/14W/93/A38	Ø70x200x264mm±1mm	AGI3000	835	14W	60	38°
264746 TulipS S34014R/AGI3500/14W/93/A38	Ø70x200x264mm±1mm	AGI3500	885	14W	64	38°

SKU SPECIFICATIONS

Product Code	Dimensions (mm)	CCT (K)	Lumens (lm)	Power (W)	Eff. (lm/watt)	Lens Angle (°)
CRI 93						
264747 TulipS S34014R/AGI4000/14W/93/A38	Ø70x200x264mm±1mm	AGI4000	940	14W	68	38°
264748 TulipS S34014R/AGI3000/14W/93/A60	Ø70x200x264mm±1mm	AGI3000	835	14W	60	60°
264749 TulipS S34014R/AGI3500/14W/93/A60	Ø70x200x264mm±1mm	AGI3500	885	14W	64	60°
264750 TulipS S34014R/AGI4000/14W/93/A60	Ø70x200x264mm±1mm	AGI4000	940	14W	68	60°
264751 TulipS S34014R/AGI3000/20W/93/A15	Ø70x200x264mm±1mm	AGI3000	1080	20W	54	15°
264752 TulipS S34014R/AGI3500/20W/93/A15	Ø70x200x264mm±1mm	AGI3500	1145	20W	58	15°
264753 TulipS S34014R/AGI4000/20W/93/A15	Ø70x200x264mm±1mm	AGI4000	1220	20W	61	15°
264754 TulipS S34014R/AGI3000/20W/93/A24	Ø70x200x264mm±1mm	AGI3000	1080	20W	54	24°
264755 TulipS S34014R/AGI3500/20W/93/A24	Ø70x200x264mm±1mm	AGI3500	1145	20W	58	24°
264756 TulipS S34014R/AGI4000/20W/93/A24	Ø70x200x264mm±1mm	AGI4000	1220	20W	61	24°
264757 TulipS S34014R/AGI3000/20W/93/A38	Ø70x200x264mm±1mm	AGI3000	1080	20W	54	38°
264758 TulipS S34014R/AGI3500/20W/93/A38	Ø70x200x264mm±1mm	AGI3500	1145	20W	58	38°
264759 TulipS S34014R/AGI4000/20W/93/A38	Ø70x200x264mm±1mm	AGI4000	1220	20W	61	38°
264760 TulipS S34014R/AGI3000/20W/93/A60	Ø70x200x264mm±1mm	AGI3000	1080	20W	54	60°
264761 TulipS S34014R/AGI3500/20W/93/A60	Ø70x200x264mm±1mm	AGI3500	1145	20W	58	60°
264762 TulipS S34014R/AGI4000/20W/93/A60	Ø70x200x264mm±1mm	AGI4000	1220	20W	61	60°
CRI 95						
264799 TulipS S34014R/FAS/14W/95/A15	Ø70x200x264mm±1mm	FAS	1045	14W	75	15°
264800 TulipS S34014R/FAS/14W/95/A24	Ø70x200x264mm±1mm	FAS	1045	14W	75	24°
264801 TulipS S34014R/FAS/14W/95/A38	Ø70x200x264mm±1mm	FAS	1045	14W	75	38°
264802 TulipS S34014R/FAS/14W/95/A60	Ø70x200x264mm±1mm	FAS	1045	14W	75	60°
264803 TulipS S34014R/FAS/20W/95/A15	Ø70x200x264mm±1mm	FAS	1430	20W	72	15°
264804 TulipS S34014R/FAS/20W/95/A24	Ø70x200x264mm±1mm	FAS	1430	20W	72	24°
264805 TulipS S34014R/FAS/20W/95/A38	Ø70x200x264mm±1mm	FAS	1430	20W	72	38°
264806 TulipS S34014R/FAS/20W/95/A60	Ø70x200x264mm±1mm	FAS	1430	20W	72	60°