



Amyas - Suspended

SUSPENDED DOWNLIGHTS | NON-DALI SERIES

With an elegant and clean design. Easily installed and maintained. Suitable for special color temperatures. With eight different lens angles from 10° to wide 60°.

PI-LED - Combines variable white light and light of the RGB color system in one single light source. It can vary the color temperature between 2700K - 6500K along Planckian curve in the course of a day.

Amyas come in several series, with various add-on and controls:

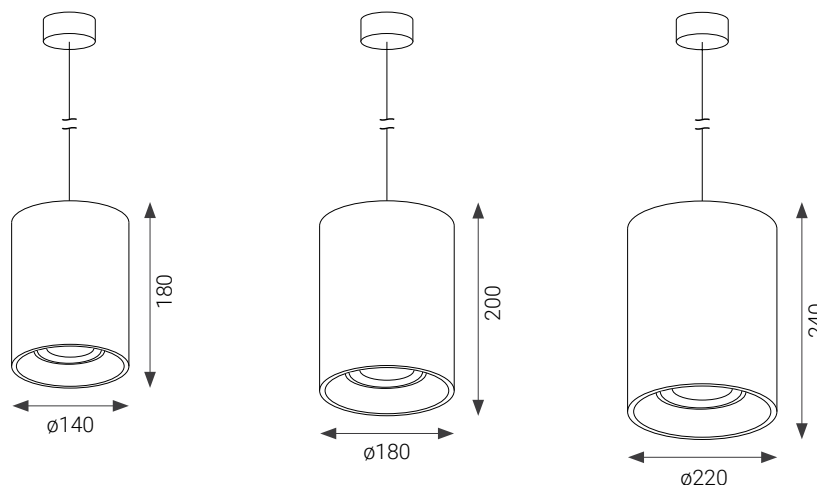
- Amyas - Suspended Non-DALI – the standard for any project in the retail sectors
- Amyas - Suspended DALI – with DALI controls for dimming
- Amyas - Suspended PI-LED - simulates the spectral quality of natural daylight over the entire day.

APPLICATION

Grocery & Supermarket | Office | Healthcare | Hospitality | DIY

FEATURES & BENEFITS

- CRI > 80 as standard, up to 98 for certain special color
- 15 color temperatures, including 11 specialized options
- Great variety of optics – 8 angles from narrow beams to flood beams
- Luminaire efficiency: 117lm/W @4000K
- Dimmable (only for DALI Series)



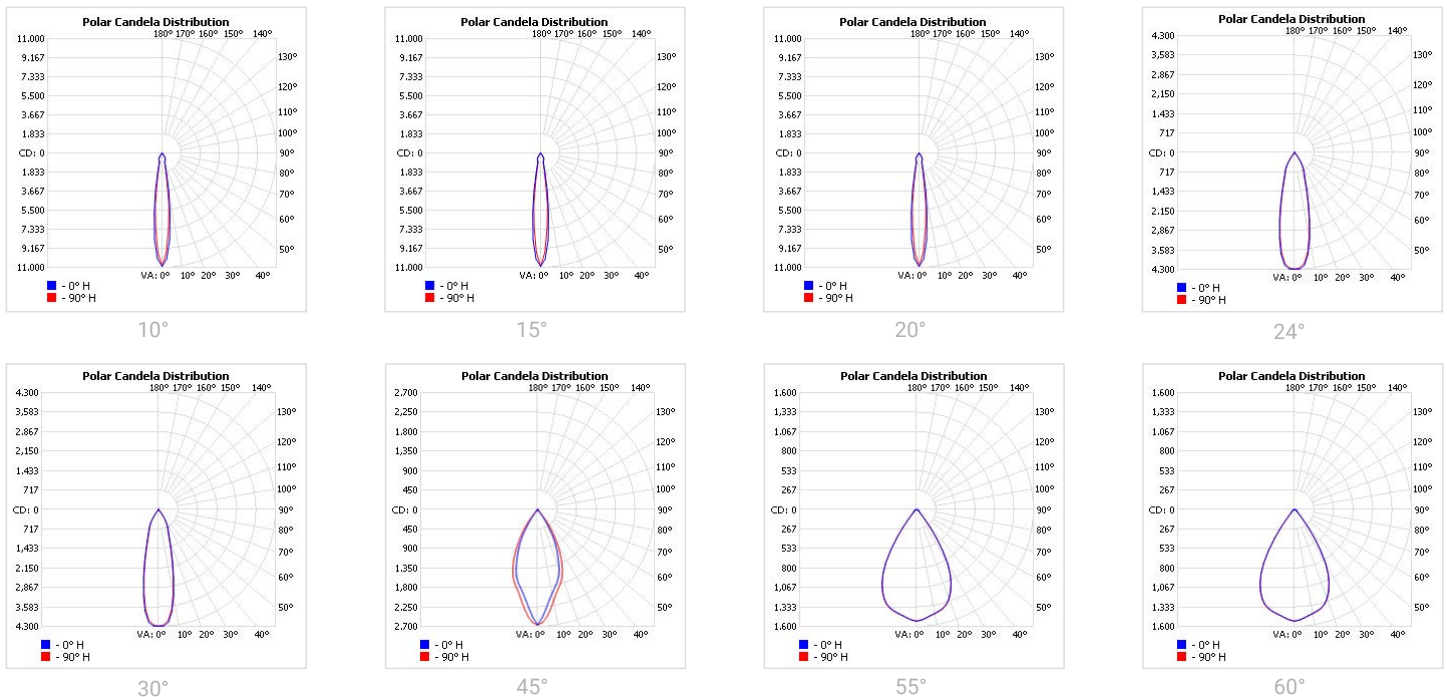
SPECIFICATIONS

Power consumption	12W, 14W, 17W, 20W, 23W, 27W, 29W, 34W, 35W, 42W		
Dimensions	D140xH180mm±1mm	D180xH200mm±1mm	D220xH240mm±1mm
Weight	1.2 Kg	1.8 Kg	1.8 - 2 Kg
Housing materials	Aluminium, Glass		
IK code	IK02		
THD (at 230V, 50Hz, Full load)	<20%		
Protection class	Safety class 1		
Operating temperature [°C]	-20°C ... +45°C / -4F ... +113F		
Operating humidity [%]	10 ÷ 85		
Power factor	≥0.95		
AC Input [Vac]	220 - 240 VAC		
Lens angle [°]	10°, 15°, 20°, 24°, 30°, 45°, 55°, 60°		
Lifespan [h]	50.000		
Housing color	○ RAL 9003 - Signal White, ● RAL 9005 - Jet Black, ● RAL 9006 - White Aluminium		
Lumen maintenance	L90/B10@50.000h at 25°C		
IP factor (general)	IP20		
Control option	-		
Warranty [years]	5		
Storage temperature range [°C]	-20°C ... +55°C / -4F ... +131F		
Emergency option	-		

#	Standard	Food	Fashion	AGI	ART	AMB
CRI	CRI80	CRI80	CRI95	CRI93	CRI98	CRI80
CCT [K]	2700 / 3000 / 3500 / 4000	BVF / FBS / FZM / FSM / FSH	FAS	AGI 3000 / 3500 / 4000	3000	2200
MacAdam	3	3 / 4 / 4 / 3 / 3	3	3	2	3

CRI - Color rendering, CCT - Color temperature, MacAdam - Color consistency

LIGHT DISTRIBUTION



TOLERANCES**Luminous flux tolerances:** -/+ 5%**Consumption tolerance:** -/+ 5% for Non-DALI | -/+ 10% for Non-DALI & KIT EM | -/+ 10% for DALI | -/+ 15% for DALI & KIT EM**BATTERY WARRANTY****Non-DALI EM & DALI EM:** 12 months warranty**Non-DALI & DALI:** -**MAXIMUM NO. OF LUMINAIRES ON A CIRCUIT**

Luminaire Power(W)	Control type	Circuit Breaker Type					
		B			C		
		20	16	10	20	16	10
8-20W	Non-DALI	62	50	31	104	85	52
23-35W	Non-DALI	24	20	10	47	40	20
42W	Non-DALI	20	16	8	38	32	16
8-20W	DALI	62	50	31	104	85	52
23-27W	DALI	25	21	13	50	42	26
34-42W	DALI	17	14	9	34	28	18

RISK GROUP

Standard (CRI80)	RG1
FOOD (BVF, FBS, FSM)	RG1
FOOD ≤35W (FZM, FSH)	RG1
FOOD >35W (FZM, FSH)	RG2
FAS	RG1
AMB2200	RG1
ART	RG1
AGI	RG1
CRI90	RG1
CRI95	RG1
ENT	RG1

RG1

The evaluation of photobiological safety is carried out according to the standard IEC 62471:2008 ("Photobiological safety of lamps and lamp systems"). Following the definition of the risk grouping system of the mentioned IEC standard, the LEDs mounted on this family fall into the class "Low Risk (RG1 – No photobiological hazard under normal behavioral limitations)". Under real circumstances (regarding exposure time, pupils, observation distance), it is assumed that there is no endangerment to the eye from these devices. As a matter of principle, however, it should be mentioned that intense light sources have a high secondary exposure potential due to their blinding effect.

RG2

The evaluation of photobiological safety is carried out according to the standard IEC 62471:2008 ("Photobiological safety of lamps and lamp systems"). Following the definition of the risk grouping system of the mentioned IEC standard, the LEDs mounted on this family fall into the class "Moderate Risk (RG2)". Under real circumstances (regarding exposure time, pupils, observation distance), it is assumed that there is no endangerment to the eye from these devices. As a matter of principle, however, it should be mentioned that intense light sources have a high secondary exposure potential due to their blinding effect.

SKU SPECIFICATIONS

Product Code	Dimensions (mm)	CCT (K)	Lumens (lm)	Power (W)	Eff. (lm/watt)	Lens Angle (°)
CRI 80						
171000 Amyas C31400/2700/14W/80/A10	D140 x H180 ±1mm	2700	1485	14W	107	10°
171001 Amyas C31400/3000/14W/80/A10	D140 x H180 ±1mm	3000	1500	14W	108	10°
171002 Amyas C31400/3500/14W/80/A10	D140 x H180 ±1mm	3500	1540	14W	110	10°
171003 Amyas C31400/4000/14W/80/A10	D140 x H180 ±1mm	4000	1570	14W	113	10°
171005 Amyas C31400/2700/14W/80/A24	D140 x H180 ±1mm	2700	1485	14W	107	24°
171006 Amyas C31400/3000/14W/80/A24	D140 x H180 ±1mm	3000	1500	14W	108	24°
171007 Amyas C31400/3500/14W/80/A24	D140 x H180 ±1mm	3500	1540	14W	110	24°
171008 Amyas C31400/4000/14W/80/A24	D140 x H180 ±1mm	4000	1570	14W	113	24°
171010 Amyas C31400/2700/14W/80/A55	D140 x H180 ±1mm	2700	1485	14W	107	55°
171011 Amyas C31400/3000/14W/80/A55	D140 x H180 ±1mm	3000	1500	14W	108	55°
171012 Amyas C31400/3500/14W/80/A55	D140 x H180 ±1mm	3500	1540	14W	110	55°
171013 Amyas C31400/4000/14W/80/A55	D140 x H180 ±1mm	4000	1570	14W	113	55°
171015 Amyas C31400/2700/20W/80/A10	D140 x H180 ±1mm	2700	2080	20W	104	10°
171016 Amyas C31400/3000/20W/80/A10	D140 x H180 ±1mm	3000	2100	20W	105	10°
171017 Amyas C31400/3500/20W/80/A10	D140 x H180 ±1mm	3500	2160	20W	108	10°
171018 Amyas C31400/4000/20W/80/A10	D140 x H180 ±1mm	4000	2200	20W	110	10°
171020 Amyas C31400/2700/20W/80/A24	D140 x H180 ±1mm	2700	2080	20W	104	24°
171021 Amyas C31400/3000/20W/80/A24	D140 x H180 ±1mm	3000	2100	20W	105	24°
171022 Amyas C31400/3500/20W/80/A24	D140 x H180 ±1mm	3500	2160	20W	108	24°
171023 Amyas C31400/4000/20W/80/A24	D140 x H180 ±1mm	4000	2200	20W	110	24°
171025 Amyas C31400/2700/20W/80/A55	D140 x H180 ±1mm	2700	2080	20W	104	55°
171026 Amyas C31400/3000/20W/80/A55	D140 x H180 ±1mm	3000	2100	20W	105	55°
171027 Amyas C31400/3500/20W/80/A55	D140 x H180 ±1mm	3500	2160	20W	108	55°
171028 Amyas C31400/4000/20W/80/A55	D140 x H180 ±1mm	4000	2200	20W	110	55°
171030 Amyas C31800/2700/14W/80/A20	D180 x H200 ±1mm	2700	1485	14W	107	20°
171031 Amyas C31800/3000/14W/80/A20	D180 x H200 ±1mm	3000	1500	14W	108	20°
171032 Amyas C31800/3500/14W/80/A20	D180 x H200 ±1mm	3500	1540	14W	110	20°
171033 Amyas C31800/4000/14W/80/A20	D180 x H200 ±1mm	4000	1570	14W	113	20°
171035 Amyas C31800/2700/14W/80/A30	D180 x H200 ±1mm	2700	1485	14W	107	30°
171036 Amyas C31800/3000/14W/80/A30	D180 x H200 ±1mm	3000	1500	14W	108	30°
171037 Amyas C31800/3500/14W/80/A30	D180 x H200 ±1mm	3500	1540	14W	110	30°
171038 Amyas C31800/4000/14W/80/A30	D180 x H200 ±1mm	4000	1570	14W	113	30°
171040 Amyas C31800/2700/14W/80/A45	D180 x H200 ±1mm	2700	1485	14W	107	45°
171041 Amyas C31800/3000/14W/80/A45	D180 x H200 ±1mm	3000	1500	14W	108	45°
171042 Amyas C31800/3500/14W/80/A45	D180 x H200 ±1mm	3500	1540	14W	110	45°
171043 Amyas C31800/4000/14W/80/A45	D180 x H200 ±1mm	4000	1570	14W	113	45°
171045 Amyas C31800/2700/14W/80/A55	D180 x H200 ±1mm	2700	1485	14W	107	55°
171046 Amyas C31800/3000/14W/80/A55	D180 x H200 ±1mm	3000	1500	14W	108	55°
171047 Amyas C31800/3500/14W/80/A55	D180 x H200 ±1mm	3500	1540	14W	110	55°
171048 Amyas C31800/4000/14W/80/A55	D180 x H200 ±1mm	4000	1570	14W	113	55°
171050 Amyas C31800/2700/20W/80/A20	D180 x H200 ±1mm	2700	2080	20W	104	20°
171051 Amyas C31800/3000/20W/80/A20	D180 x H200 ±1mm	3000	2100	20W	105	20°
171052 Amyas C31800/3500/20W/80/A20	D180 x H200 ±1mm	3500	2160	20W	108	20°
171053 Amyas C31800/4000/20W/80/A20	D180 x H200 ±1mm	4000	2200	20W	110	20°
171055 Amyas C31800/2700/20W/80/A30	D180 x H200 ±1mm	2700	2080	20W	104	30°
171056 Amyas C31800/3000/20W/80/A30	D180 x H200 ±1mm	3000	2100	20W	105	30°
171057 Amyas C31800/3500/20W/80/A30	D180 x H200 ±1mm	3500	2160	20W	108	30°
171058 Amyas C31800/4000/20W/80/A30	D180 x H200 ±1mm	4000	2200	20W	110	30°
171060 Amyas C31800/2700/20W/80/A45	D180 x H200 ±1mm	2700	2080	20W	104	45°
171061 Amyas C31800/3000/20W/80/A45	D180 x H200 ±1mm	3000	2100	20W	105	45°

SKU SPECIFICATIONS

Product Code	Dimensions (mm)	CCT (K)	Lumens (lm)	Power (W)	Eff. (lm/watt)	Lens Angle (°)
CRI 80						
171062 Amyas C31800/3500/20W/80/A45	D180 x H200 ±1mm	3500	2160	20W	108	45°
171063 Amyas C31800/4000/20W/80/A45	D180 x H200 ±1mm	4000	2200	20W	110	45°
171065 Amyas C31800/2700/20W/80/A55	D180 x H200 ±1mm	2700	2080	20W	104	55°
171066 Amyas C31800/3000/20W/80/A55	D180 x H200 ±1mm	3000	2100	20W	105	55°
171067 Amyas C31800/3500/20W/80/A55	D180 x H200 ±1mm	3500	2160	20W	108	55°
171068 Amyas C31800/4000/20W/80/A55	D180 x H200 ±1mm	4000	2200	20W	110	55°
171070 Amyas C31800/2700/27W/80/A20	D180 x H200 ±1mm	2700	2945	27W	110	20°
171071 Amyas C31800/3000/27W/80/A20	D180 x H200 ±1mm	3000	2970	27W	110	20°
171072 Amyas C31800/3500/27W/80/A20	D180 x H200 ±1mm	3500	3055	27W	114	20°
171073 Amyas C31800/4000/27W/80/A20	D180 x H200 ±1mm	4000	3135	27W	117	20°
171075 Amyas C31800/2700/27W/80/A30	D180 x H200 ±1mm	2700	2945	27W	110	30°
171076 Amyas C31800/3000/27W/80/A30	D180 x H200 ±1mm	3000	2970	27W	110	30°
171077 Amyas C31800/3500/27W/80/A30	D180 x H200 ±1mm	3500	3055	27W	114	30°
171078 Amyas C31800/4000/27W/80/A30	D180 x H200 ±1mm	4000	3135	27W	117	30°
171080 Amyas C31800/2700/27W/80/A45	D180 x H200 ±1mm	2700	2945	27W	110	45°
171081 Amyas C31800/3000/27W/80/A45	D180 x H200 ±1mm	3000	2970	27W	110	45°
171082 Amyas C31800/3500/27W/80/A45	D180 x H200 ±1mm	3500	3055	27W	114	45°
171083 Amyas C31800/4000/27W/80/A45	D180 x H200 ±1mm	4000	3135	27W	117	45°
171085 Amyas C31800/2700/27W/80/A55	D180 x H200 ±1mm	2700	2945	27W	110	55°
171086 Amyas C31800/3000/27W/80/A55	D180 x H200 ±1mm	3000	2970	27W	110	55°
171087 Amyas C31800/3500/27W/80/A55	D180 x H200 ±1mm	3500	3055	27W	114	55°
171088 Amyas C31800/4000/27W/80/A55	D180 x H200 ±1mm	4000	3135	27W	117	55°
171090 Amyas C32200/2700/14W/80/A15	D220 x H240 ±1mm	2700	1485	14W	107	15°
171091 Amyas C32200/3000/14W/80/A15	D220 x H240 ±1mm	3000	1500	14W	108	15°
171092 Amyas C32200/3500/14W/80/A15	D220 x H240 ±1mm	3500	1540	14W	110	15°
171093 Amyas C32200/4000/14W/80/A15	D220 x H240 ±1mm	4000	1570	14W	113	15°
171095 Amyas C32200/2700/14W/80/A30	D220 x H240 ±1mm	2700	1485	14W	107	30°
171096 Amyas C32200/3000/14W/80/A30	D220 x H240 ±1mm	3000	1500	14W	108	30°
171097 Amyas C32200/3500/14W/80/A30	D220 x H240 ±1mm	3500	1540	14W	110	30°
171098 Amyas C32200/4000/14W/80/A30	D220 x H240 ±1mm	4000	1570	14W	113	30°
171100 Amyas C32200/2700/14W/80/A45	D220 x H240 ±1mm	2700	1485	14W	107	45°
171101 Amyas C32200/3000/14W/80/A45	D220 x H240 ±1mm	3000	1500	14W	108	45°
171102 Amyas C32200/3500/14W/80/A45	D220 x H240 ±1mm	3500	1540	14W	110	45°
171103 Amyas C32200/4000/14W/80/A45	D220 x H240 ±1mm	4000	1570	14W	113	45°
171105 Amyas C32200/2700/14W/80/A60	D220 x H240 ±1mm	2700	1485	14W	107	60°
171106 Amyas C32200/3000/14W/80/A60	D220 x H240 ±1mm	3000	1500	14W	108	60°
171107 Amyas C32200/3500/14W/80/A60	D220 x H240 ±1mm	3500	1540	14W	110	60°
171108 Amyas C32200/4000/14W/80/A60	D220 x H240 ±1mm	4000	1570	14W	113	60°
171110 Amyas C32200/2700/20W/80/A15	D220 x H240 ±1mm	2700	2080	20W	104	15°
171111 Amyas C32200/3000/20W/80/A15	D220 x H240 ±1mm	3000	2100	20W	105	15°
171112 Amyas C32200/3500/20W/80/A15	D220 x H240 ±1mm	3500	2160	20W	108	15°
171113 Amyas C32200/4000/20W/80/A15	D220 x H240 ±1mm	4000	2200	20W	110	15°
171115 Amyas C32200/2700/20W/80/A30	D220 x H240 ±1mm	2700	2080	20W	104	30°
171116 Amyas C32200/3000/20W/80/A30	D220 x H240 ±1mm	3000	2100	20W	105	30°
171117 Amyas C32200/3500/20W/80/A30	D220 x H240 ±1mm	3500	2160	20W	108	30°
171118 Amyas C32200/4000/20W/80/A30	D220 x H240 ±1mm	4000	2200	20W	110	30°
171120 Amyas C32200/2700/20W/80/A45	D220 x H240 ±1mm	2700	2080	20W	104	45°
171121 Amyas C32200/3000/20W/80/A45	D220 x H240 ±1mm	3000	2100	20W	105	45°
171122 Amyas C32200/3500/20W/80/A45	D220 x H240 ±1mm	3500	2160	20W	108	45°
171123 Amyas C32200/4000/20W/80/A45	D220 x H240 ±1mm	4000	2200	20W	110	45°

SKU SPECIFICATIONS

Product Code	Dimensions (mm)	CCT (K)	Lumens (lm)	Power (W)	Eff. (lm/watt)	Lens Angle (°)
CRI 80						
171125 Amyas C32200/2700/20W/80/A60	D220 x H240 ±1mm	2700	2080	20W	104	60°
171126 Amyas C32200/3000/20W/80/A60	D220 x H240 ±1mm	3000	2100	20W	105	60°
171127 Amyas C32200/3500/20W/80/A60	D220 x H240 ±1mm	3500	2160	20W	108	60°
171128 Amyas C32200/4000/20W/80/A60	D220 x H240 ±1mm	4000	2200	20W	110	60°
171130 Amyas C32200/2700/27W/80/A15	D220 x H240 ±1mm	2700	2945	27W	110	15°
171131 Amyas C32200/3000/27W/80/A15	D220 x H240 ±1mm	3000	2970	27W	110	15°
171132 Amyas C32200/3500/27W/80/A15	D220 x H240 ±1mm	3500	3055	27W	114	15°
171133 Amyas C32200/4000/27W/80/A15	D220 x H240 ±1mm	4000	3135	27W	117	15°
171135 Amyas C32200/2700/27W/80/A30	D220 x H240 ±1mm	2700	2945	27W	110	30°
171136 Amyas C32200/3000/27W/80/A30	D220 x H240 ±1mm	3000	2970	27W	110	30°
171137 Amyas C32200/3500/27W/80/A30	D220 x H240 ±1mm	3500	3055	27W	114	30°
171138 Amyas C32200/4000/27W/80/A30	D220 x H240 ±1mm	4000	3135	27W	117	30°
171140 Amyas C32200/2700/27W/80/A45	D220 x H240 ±1mm	2700	2945	27W	110	45°
171141 Amyas C32200/3000/27W/80/A45	D220 x H240 ±1mm	3000	2970	27W	110	45°
171142 Amyas C32200/3500/27W/80/A45	D220 x H240 ±1mm	3500	3055	27W	114	45°
171143 Amyas C32200/4000/27W/80/A45	D220 x H240 ±1mm	4000	3135	27W	117	45°
171145 Amyas C32200/2700/27W/80/A60	D220 x H240 ±1mm	2700	2945	27W	110	60°
171146 Amyas C32200/3000/27W/80/A60	D220 x H240 ±1mm	3000	2970	27W	110	60°
171147 Amyas C32200/3500/27W/80/A60	D220 x H240 ±1mm	3500	3055	27W	114	60°
171148 Amyas C32200/4000/27W/80/A60	D220 x H240 ±1mm	4000	3135	27W	117	60°
171150 Amyas C32200/2700/35W/80/A15	D220 x H240 ±1mm	2700	3710	35W	106	15°
171151 Amyas C32200/3000/35W/80/A15	D220 x H240 ±1mm	3000	3745	35W	107	15°
171152 Amyas C32200/3500/35W/80/A15	D220 x H240 ±1mm	3500	3815	35W	109	15°
171153 Amyas C32200/4000/35W/80/A15	D220 x H240 ±1mm	4000	3920	35W	112	15°
171155 Amyas C32200/2700/35W/80/A30	D220 x H240 ±1mm	2700	3710	35W	106	30°
171156 Amyas C32200/3000/35W/80/A30	D220 x H240 ±1mm	3000	3745	35W	107	30°
171157 Amyas C32200/3500/35W/80/A30	D220 x H240 ±1mm	3500	3815	35W	109	30°
171158 Amyas C32200/4000/35W/80/A30	D220 x H240 ±1mm	4000	3920	35W	112	30°
171160 Amyas C32200/2700/35W/80/A45	D220 x H240 ±1mm	2700	3710	35W	106	45°
171161 Amyas C32200/3000/35W/80/A45	D220 x H240 ±1mm	3000	3745	35W	107	45°
171162 Amyas C32200/3500/35W/80/A45	D220 x H240 ±1mm	3500	3815	35W	109	45°
171163 Amyas C32200/4000/35W/80/A45	D220 x H240 ±1mm	4000	3920	35W	112	45°
171165 Amyas C32200/2700/35W/80/A60	D220 x H240 ±1mm	2700	3710	35W	106	60°
171166 Amyas C32200/3000/35W/80/A60	D220 x H240 ±1mm	3000	3745	35W	107	60°
171167 Amyas C32200/3500/35W/80/A60	D220 x H240 ±1mm	3500	3815	35W	109	60°
171168 Amyas C32200/4000/35W/80/A60	D220 x H240 ±1mm	4000	3920	35W	112	60°
171170 Amyas C32200/2700/42W/80/A15	D220 x H240 ±1mm	2700	4200	42W	100	15°
171171 Amyas C32200/3000/42W/80/A15	D220 x H240 ±1mm	3000	4200	42W	100	15°
171172 Amyas C32200/3500/42W/80/A15	D220 x H240 ±1mm	3500	4330	42W	103	15°
171173 Amyas C32200/4000/42W/80/A15	D220 x H240 ±1mm	4000	4455	42W	106	15°
171175 Amyas C32200/2700/42W/80/A30	D220 x H240 ±1mm	2700	4200	42W	100	30°
171176 Amyas C32200/3000/42W/80/A30	D220 x H240 ±1mm	3000	4200	42W	100	30°
171177 Amyas C32200/3500/42W/80/A30	D220 x H240 ±1mm	3500	4330	42W	103	30°
171178 Amyas C32200/4000/42W/80/A30	D220 x H240 ±1mm	4000	4455	42W	106	30°
171180 Amyas C32200/2700/42W/80/A45	D220 x H240 ±1mm	2700	4200	42W	100	45°
171181 Amyas C32200/3000/42W/80/A45	D220 x H240 ±1mm	3000	4200	42W	100	45°
171182 Amyas C32200/3500/42W/80/A45	D220 x H240 ±1mm	3500	4330	42W	103	45°
171183 Amyas C32200/4000/42W/80/A45	D220 x H240 ±1mm	4000	4455	42W	106	45°
171185 Amyas C32200/2700/42W/80/A60	D220 x H240 ±1mm	2700	4200	42W	100	60°
171186 Amyas C32200/3000/42W/80/A60	D220 x H240 ±1mm	3000	4200	42W	100	60°

SKU SPECIFICATIONS

Product Code	Dimensions (mm)	CCT (K)	Lumens (lm)	Power (W)	Eff. (lm/watt)	Lens Angle (°)
CRI 80						
171187 Amyas C32200/3500/42W/80/A60	D220 x H240 ±1mm	3500	4330	42W	103	60°
171188 Amyas C32200/4000/42W/80/A60	D220 x H240 ±1mm	4000	4455	42W	106	60°
171218 Amyas C31800/BVF/27W/80/A20	D180 x H200 ±1mm	BVF	2065	27W	77	20°
171219 Amyas C31800/FBS/27W/80/A20	D180 x H200 ±1mm	FBS	1635	27W	61	20°
171220 Amyas C31800/FZM/27W/80/A20	D180 x H200 ±1mm	FZM	1530	27W	57	20°
171221 Amyas C31800/FSM/27W/80/A20	D180 x H200 ±1mm	FSM	1530	27W	57	20°
171339 Amyas C31800/FSH/27W/80/A20	D180 x H200 ±1mm	FSH	2250	27W	84	20°
171222 Amyas C31800/BVF/27W/80/A30	D180 x H200 ±1mm	BVF	2065	27W	77	30°
171223 Amyas C31800/FBS/27W/80/A30	D180 x H200 ±1mm	FBS	1635	27W	61	30°
171224 Amyas C31800/FZM/27W/80/A30	D180 x H200 ±1mm	FZM	1530	27W	57	30°
171225 Amyas C31800/FSM/27W/80/A30	D180 x H200 ±1mm	FSM	1530	27W	57	30°
171340 Amyas C31800/FSH/27W/80/A30	D180 x H200 ±1mm	FSH	2250	27W	84	30°
171226 Amyas C31800/BVF/27W/80/A45	D180 x H200 ±1mm	BVF	2065	27W	77	45°
171227 Amyas C31800/FBS/27W/80/A45	D180 x H200 ±1mm	FBS	1635	27W	61	45°
171228 Amyas C31800/FZM/27W/80/A45	D180 x H200 ±1mm	FZM	1530	27W	57	45°
171229 Amyas C31800/FSM/27W/80/A45	D180 x H200 ±1mm	FSM	1530	27W	57	45°
171341 Amyas C31800/FSH/27W/80/A45	D180 x H200 ±1mm	FSH	2250	27W	84	45°
171250 Amyas C32200/BVF/27W/80/A15	D220 x H240 ±1mm	BVF	2065	27W	77	15°
171251 Amyas C32200/FBS/27W/80/A15	D220 x H240 ±1mm	FBS	1635	27W	61	15°
171252 Amyas C32200/FZM/27W/80/A15	D220 x H240 ±1mm	FZM	1530	27W	57	15°
171253 Amyas C32200/FSM/27W/80/A15	D220 x H240 ±1mm	FSM	1530	27W	57	15°
171343 Amyas C32200/FSH/27W/80/A15	D220 x H240 ±1mm	FSH	2250	27W	84	15°
171254 Amyas C32200/BVF/27W/80/A30	D220 x H240 ±1mm	BVF	2065	27W	77	30°
171255 Amyas C32200/FBS/27W/80/A30	D220 x H240 ±1mm	FBS	1635	27W	61	30°
171256 Amyas C32200/FZM/27W/80/A30	D220 x H240 ±1mm	FZM	1530	27W	57	30°
171257 Amyas C32200/FSM/27W/80/A30	D220 x H240 ±1mm	FSM	1530	27W	57	30°
171344 Amyas C32200/FSH/27W/80/A30	D220 x H240 ±1mm	FSH	2250	27W	84	30°
171258 Amyas C32200/BVF/27W/80/A45	D220 x H240 ±1mm	BVF	2065	27W	77	45°
171259 Amyas C32200/FBS/27W/80/A45	D220 x H240 ±1mm	FBS	1635	27W	61	45°
171260 Amyas C32200/FZM/27W/80/A45	D220 x H240 ±1mm	FZM	1530	27W	57	45°
171261 Amyas C32200/FSM/27W/80/A45	D220 x H240 ±1mm	FSM	1530	27W	57	45°
171345 Amyas C32200/FSH/27W/80/A45	D220 x H240 ±1mm	FSH	2250	27W	84	45°
171262 Amyas C32200/BVF/27W/80/A60	D220 x H240 ±1mm	BVF	2065	27W	77	60°
171263 Amyas C32200/FBS/27W/80/A60	D220 x H240 ±1mm	FBS	1635	27W	61	60°
171264 Amyas C32200/FZM/27W/80/A60	D220 x H240 ±1mm	FZM	1530	27W	57	60°
171265 Amyas C32200/FSM/27W/80/A60	D220 x H240 ±1mm	FSM	1530	27W	57	60°
171346 Amyas C32200/FSH/27W/80/A60	D220 x H240 ±1mm	FSH	2250	27W	84	60°
171266 Amyas C32200/BVF/35W/80/A15	D220 x H240 ±1mm	BVF	2590	35W	74	15°
171267 Amyas C32200/FBS/35W/80/A15	D220 x H240 ±1mm	FBS	2115	35W	61	15°
171268 Amyas C32200/FZM/35W/80/A15	D220 x H240 ±1mm	FZM	1980	35W	57	15°
171269 Amyas C32200/FSM/35W/80/A15	D220 x H240 ±1mm	FSM	1980	35W	57	15°
171347 Amyas C32200/FSH/35W/80/A15	D220 x H240 ±1mm	FSH	2755	35W	79	15°
171270 Amyas C32200/BVF/35W/80/A30	D220 x H240 ±1mm	BVF	2590	35W	74	30°
171271 Amyas C32200/FBS/35W/80/A30	D220 x H240 ±1mm	FBS	2115	35W	61	30°
171272 Amyas C32200/FZM/35W/80/A30	D220 x H240 ±1mm	FZM	1980	35W	57	30°
171273 Amyas C32200/FSM/35W/80/A30	D220 x H240 ±1mm	FSM	1980	35W	57	30°
171348 Amyas C32200/FSH/35W/80/A30	D220 x H240 ±1mm	FSH	2755	35W	79	30°
171274 Amyas C32200/BVF/35W/80/A45	D220 x H240 ±1mm	BVF	2590	35W	74	45°
171275 Amyas C32200/FBS/35W/80/A45	D220 x H240 ±1mm	FBS	2115	35W	61	45°
171276 Amyas C32200/FZM/35W/80/A45	D220 x H240 ±1mm	FZM	1980	35W	57	45°

SKU SPECIFICATIONS

Product Code	Dimensions (mm)	CCT (K)	Lumens (lm)	Power (W)	Eff. (lm/watt)	Lens Angle (°)
CRI 80						
171277 Amyas C32200/FSM/35W/80/A45	D220 x H240 ±1mm	FSM	1980	35W	57	45°
171349 Amyas C32200/FSH/35W/80/A45	D220 x H240 ±1mm	FSH	2755	35W	79	45°
171278 Amyas C32200/BVF/35W/80/A60	D220 x H240 ±1mm	BVF	2590	35W	74	60°
171279 Amyas C32200/FBS/35W/80/A60	D220 x H240 ±1mm	FBS	2115	35W	61	60°
171280 Amyas C32200/FZM/35W/80/A60	D220 x H240 ±1mm	FZM	1980	35W	57	60°
171281 Amyas C32200/FSM/35W/80/A60	D220 x H240 ±1mm	FSM	1980	35W	57	60°
171350 Amyas C32200/FSH/35W/80/A60	D220 x H240 ±1mm	FSH	2755	35W	79	60°
171282 Amyas C32200/BVF/42W/80/A15	D220 x H240 ±1mm	BVF	2870	42W	69	15°
171283 Amyas C32200/FBS/42W/80/A15	D220 x H240 ±1mm	FBS	2450	42W	59	15°
171284 Amyas C32200/FZM/42W/80/A15	D220 x H240 ±1mm	FZM	2325	42W	56	15°
171285 Amyas C32200/FSM/42W/80/A15	D220 x H240 ±1mm	FSM	2325	42W	56	15°
171351 Amyas C32200/FSH/42W/80/A15	D220 x H240 ±1mm	FSH	3155	42W	76	15°
171286 Amyas C32200/BVF/42W/80/A30	D220 x H240 ±1mm	BVF	2870	42W	69	30°
171287 Amyas C32200/FBS/42W/80/A30	D220 x H240 ±1mm	FBS	2450	42W	59	30°
171288 Amyas C32200/FZM/42W/80/A30	D220 x H240 ±1mm	FZM	2325	42W	56	30°
171289 Amyas C32200/FSM/42W/80/A30	D220 x H240 ±1mm	FSM	2325	42W	56	30°
171352 Amyas C32200/FSH/42W/80/A30	D220 x H240 ±1mm	FSH	3155	42W	76	30°
171290 Amyas C32200/BVF/42W/80/A45	D220 x H240 ±1mm	BVF	2870	42W	69	45°
171291 Amyas C32200/FBS/42W/80/A45	D220 x H240 ±1mm	FBS	2450	42W	59	45°
171292 Amyas C32200/FZM/42W/80/A45	D220 x H240 ±1mm	FZM	2325	42W	56	45°
171293 Amyas C32200/FSM/42W/80/A45	D220 x H240 ±1mm	FSM	2325	42W	56	45°
171353 Amyas C32200/FSH/42W/80/A45	D220 x H240 ±1mm	FSH	3155	42W	76	45°
171294 Amyas C32200/BVF/42W/80/A60	D220 x H240 ±1mm	BVF	2870	42W	69	60°
171295 Amyas C32200/FBS/42W/80/A60	D220 x H240 ±1mm	FBS	2450	42W	59	60°
171296 Amyas C32200/FZM/42W/80/A60	D220 x H240 ±1mm	FZM	2325	42W	56	60°
171297 Amyas C32200/FSM/42W/80/A60	D220 x H240 ±1mm	FSM	2325	42W	56	60°
171354 Amyas C32200/FSH/42W/80/A60	D220 x H240 ±1mm	FSH	3155	42W	76	60°
171517 Amyas C31400/BVF/20W/80/A10	D140 x H180 ±1mm	BVF	1540	20W	77	10°
171518 Amyas C31400/FBS/20W/80/A10	D140 x H180 ±1mm	FBS	1220	20W	61	10°
171519 Amyas C31400/FZM/20W/80/A10	D140 x H180 ±1mm	FZM	1140	20W	57	10°
171520 Amyas C31400/FSM/20W/80/A10	D140 x H180 ±1mm	FSM	1140	20W	57	10°
171521 Amyas C31400/FSH/20W/80/A10	D140 x H180 ±1mm	FSH	1680	20W	84	10°
171522 Amyas C31400/BVF/20W/80/A24	D140 x H180 ±1mm	BVF	1540	20W	77	24°
171523 Amyas C31400/FBS/20W/80/A24	D140 x H180 ±1mm	FBS	1220	20W	61	24°
171524 Amyas C31400/FZM/20W/80/A24	D140 x H180 ±1mm	FZM	1140	20W	57	24°
171525 Amyas C31400/FSM/20W/80/A24	D140 x H180 ±1mm	FSM	1140	20W	57	24°
171526 Amyas C31400/FSH/20W/80/A24	D140 x H180 ±1mm	FSH	1680	20W	84	24°
171593 Amyas C31400/BVF/20W/80/A55	D140 x H180 ±1mm	BVF	1540	20W	77	55°
171594 Amyas C31400/FBS/20W/80/A55	D140 x H180 ±1mm	FBS	1220	20W	61	55°
171595 Amyas C31400/FZM/20W/80/A55	D140 x H180 ±1mm	FZM	1140	20W	57	55°
171596 Amyas C31400/FSM/20W/80/A55	D140 x H180 ±1mm	FSM	1140	20W	57	55°
171597 Amyas C31400/FSH/20W/80/A55	D140 x H180 ±1mm	FSH	1680	20W	84	55°
171598 Amyas C31400/AMB2200/14W/80/A10	D140 x H180 ±1mm	AMB2200	1020	14W	73	10°
171599 Amyas C31400/AMB2200/14W/80/A24	D140 x H180 ±1mm	AMB2200	1020	14W	73	24°
171600 Amyas C31400/AMB2200/14W/80/A55	D140 x H180 ±1mm	AMB2200	1020	14W	73	55°
171601 Amyas C31400/AMB2200/20W/80/A10	D140 x H180 ±1mm	AMB2200	1410	20W	71	10°
171602 Amyas C31400/AMB2200/20W/80/A24	D140 x H180 ±1mm	AMB2200	1410	20W	71	24°
171603 Amyas C31400/AMB2200/20W/80/A55	D140 x H180 ±1mm	AMB2200	1410	20W	71	55°
171604 Amyas C31800/AMB2200/14W/80/A20	D180 x H200 ±1mm	AMB2200	1020	14W	73	20°
171605 Amyas C31800/AMB2200/14W/80/A30	D180 x H200 ±1mm	AMB2200	1020	14W	73	30°

SKU SPECIFICATIONS

Product Code	Dimensions (mm)	CCT (K)	Lumens (lm)	Power (W)	Eff. (lm/watt)	Lens Angle (°)
CRI 80						
171606 Amyas C31800/AMB2200/14W/80/A45	D180 x H200 ±1mm	AMB2200	1020	14W	73	45°
171607 Amyas C31800/AMB2200/14W/80/A55	D180 x H200 ±1mm	AMB2200	1020	14W	73	55°
171608 Amyas C31800/AMB2200/20W/80/A20	D180 x H200 ±1mm	AMB2200	1410	20W	71	20°
171609 Amyas C31800/AMB2200/20W/80/A30	D180 x H200 ±1mm	AMB2200	1410	20W	71	30°
171610 Amyas C31800/AMB2200/20W/80/A45	D180 x H200 ±1mm	AMB2200	1410	20W	71	45°
171611 Amyas C31800/AMB2200/20W/80/A55	D180 x H200 ±1mm	AMB2200	1410	20W	71	55°
171612 Amyas C31800/AMB2200/27W/80/A20	D180 x H200 ±1mm	AMB2200	1870	27W	70	20°
171613 Amyas C31800/AMB2200/27W/80/A30	D180 x H200 ±1mm	AMB2200	1870	27W	70	30°
171614 Amyas C31800/AMB2200/27W/80/A45	D180 x H200 ±1mm	AMB2200	1870	27W	70	45°
171615 Amyas C31800/AMB2200/27W/80/A55	D180 x H200 ±1mm	AMB2200	1870	27W	70	55°
171616 Amyas C32200/AMB2200/14W/80/A15	D220 x H240 ±1mm	AMB2200	1020	14W	73	15°
171617 Amyas C32200/AMB2200/14W/80/A30	D220 x H240 ±1mm	AMB2200	1020	14W	73	30°
171618 Amyas C32200/AMB2200/14W/80/A45	D220 x H240 ±1mm	AMB2200	1020	14W	73	45°
171619 Amyas C32200/AMB2200/14W/80/A60	D220 x H240 ±1mm	AMB2200	1020	14W	73	60°
171620 Amyas C32200/AMB2200/20W/80/A15	D220 x H240 ±1mm	AMB2200	1410	20W	71	15°
171621 Amyas C32200/AMB2200/20W/80/A30	D220 x H240 ±1mm	AMB2200	1410	20W	71	30°
171622 Amyas C32200/AMB2200/20W/80/A45	D220 x H240 ±1mm	AMB2200	1410	20W	71	45°
171623 Amyas C32200/AMB2200/20W/80/A60	D220 x H240 ±1mm	AMB2200	1410	20W	71	60°
171624 Amyas C32200/AMB2200/27W/80/A15	D220 x H240 ±1mm	AMB2200	1870	27W	70	15°
171625 Amyas C32200/AMB2200/27W/80/A30	D220 x H240 ±1mm	AMB2200	1870	27W	70	30°
171626 Amyas C32200/AMB2200/27W/80/A45	D220 x H240 ±1mm	AMB2200	1870	27W	70	45°
171627 Amyas C32200/AMB2200/27W/80/A60	D220 x H240 ±1mm	AMB2200	1870	27W	70	60°
171628 Amyas C32200/AMB2200/35W/80/A15	D220 x H240 ±1mm	AMB2200	2585	35W	74	15°
171629 Amyas C32200/AMB2200/35W/80/A30	D220 x H240 ±1mm	AMB2200	2585	35W	74	30°
171630 Amyas C32200/AMB2200/35W/80/A45	D220 x H240 ±1mm	AMB2200	2585	35W	74	45°
171631 Amyas C32200/AMB2200/35W/80/A60	D220 x H240 ±1mm	AMB2200	2585	35W	74	60°
171632 Amyas C32200/AMB2200/42W/80/A15	D220 x H240 ±1mm	AMB2200	2930	42W	70	15°
171633 Amyas C32200/AMB2200/42W/80/A30	D220 x H240 ±1mm	AMB2200	2930	42W	70	30°
171634 Amyas C32200/AMB2200/42W/80/A45	D220 x H240 ±1mm	AMB2200	2930	42W	70	45°
171635 Amyas C32200/AMB2200/42W/80/A60	D220 x H240 ±1mm	AMB2200	2930	42W	70	60°

CRI 93

171403 Amyas C31400/AGI3000/12W/93/A10	D140 x H180 ±1mm	AGI3000	735	12W	62	10°
171404 Amyas C31400/AGI3500/12W/93/A10	D140 x H180 ±1mm	AGI3500	780	12W	65	10°
171405 Amyas C31400/AGI4000/12W/93/A10	D140 x H180 ±1mm	AGI4000	830	12W	70	10°
171406 Amyas C31400/AGI3000/12W/93/A24	D140 x H180 ±1mm	AGI3000	735	12W	62	24°
171407 Amyas C31400/AGI3500/12W/93/A24	D140 x H180 ±1mm	AGI3500	780	12W	65	24°
171408 Amyas C31400/AGI4000/12W/93/A24	D140 x H180 ±1mm	AGI4000	830	12W	70	24°
171409 Amyas C31400/AGI3000/12W/93/A55	D140 x H180 ±1mm	AGI3000	735	12W	62	55°
171410 Amyas C31400/AGI3500/12W/93/A55	D140 x H180 ±1mm	AGI3500	780	12W	65	55°
171411 Amyas C31400/AGI4000/12W/93/A55	D140 x H180 ±1mm	AGI4000	830	12W	70	55°
171412 Amyas C31400/AGI3000/17W/93/A10	D140 x H180 ±1mm	AGI3000	985	17W	58	10°
171413 Amyas C31400/AGI3500/17W/93/A10	D140 x H180 ±1mm	AGI3500	1050	17W	62	10°
171414 Amyas C31400/AGI4000/17W/93/A10	D140 x H180 ±1mm	AGI4000	1115	17W	66	10°
171415 Amyas C31400/AGI3000/17W/93/A24	D140 x H180 ±1mm	AGI3000	985	17W	58	24°
171416 Amyas C31400/AGI3500/17W/93/A24	D140 x H180 ±1mm	AGI3500	1050	17W	62	24°
171417 Amyas C31400/AGI4000/17W/93/A24	D140 x H180 ±1mm	AGI4000	1115	17W	66	24°
171418 Amyas C31400/AGI3000/17W/93/A55	D140 x H180 ±1mm	AGI3000	985	17W	58	55°
171419 Amyas C31400/AGI3500/17W/93/A55	D140 x H180 ±1mm	AGI3500	1050	17W	62	55°
171420 Amyas C31400/AGI4000/17W/93/A55	D140 x H180 ±1mm	AGI4000	1115	17W	66	55°

SKU SPECIFICATIONS

Product Code	Dimensions (mm)	CCT (K)	Lumens (lm)	Power (W)	Eff. (lm/watt)	Lens Angle (°)
CRI 93						
171421 Amyas C31800/AGI3000/12W/93/A20	D180 x H200 ±1mm	AGI3000	735	12W	62	20°
171422 Amyas C31800/AGI3500/12W/93/A20	D180 x H200 ±1mm	AGI3500	780	12W	65	20°
171423 Amyas C31800/AGI4000/12W/93/A20	D180 x H200 ±1mm	AGI4000	830	12W	70	20°
171424 Amyas C31800/AGI3000/12W/93/A30	D180 x H200 ±1mm	AGI3000	735	12W	62	30°
171425 Amyas C31800/AGI3500/12W/93/A30	D180 x H200 ±1mm	AGI3500	780	12W	65	30°
171426 Amyas C31800/AGI4000/12W/93/A30	D180 x H200 ±1mm	AGI4000	830	12W	70	30°
171427 Amyas C31800/AGI3000/12W/93/A45	D180 x H200 ±1mm	AGI3000	735	12W	62	45°
171428 Amyas C31800/AGI3500/12W/93/A45	D180 x H200 ±1mm	AGI3500	780	12W	65	45°
171429 Amyas C31800/AGI4000/12W/93/A45	D180 x H200 ±1mm	AGI4000	830	12W	70	45°
171430 Amyas C31800/AGI3000/12W/93/A55	D180 x H200 ±1mm	AGI3000	735	12W	62	55°
171431 Amyas C31800/AGI3500/12W/93/A55	D180 x H200 ±1mm	AGI3500	780	12W	65	55°
171432 Amyas C31800/AGI4000/12W/93/A55	D180 x H200 ±1mm	AGI4000	830	12W	70	55°
171433 Amyas C31800/AGI3000/17W/93/A20	D180 x H200 ±1mm	AGI3000	985	17W	58	20°
171434 Amyas C31800/AGI3500/17W/93/A20	D180 x H200 ±1mm	AGI3500	1050	17W	62	20°
171435 Amyas C31800/AGI4000/17W/93/A20	D180 x H200 ±1mm	AGI4000	1115	17W	66	20°
171436 Amyas C31800/AGI3000/17W/93/A30	D180 x H200 ±1mm	AGI3000	985	17W	58	30°
171437 Amyas C31800/AGI3500/17W/93/A30	D180 x H200 ±1mm	AGI3500	1050	17W	62	30°
171438 Amyas C31800/AGI4000/17W/93/A30	D180 x H200 ±1mm	AGI4000	1115	17W	66	30°
171439 Amyas C31800/AGI3000/17W/93/A45	D180 x H200 ±1mm	AGI3000	985	17W	58	45°
171440 Amyas C31800/AGI3500/17W/93/A45	D180 x H200 ±1mm	AGI3500	1050	17W	62	45°
171441 Amyas C31800/AGI4000/17W/93/A45	D180 x H200 ±1mm	AGI4000	1115	17W	66	45°
171442 Amyas C31800/AGI3000/17W/93/A55	D180 x H200 ±1mm	AGI3000	985	17W	58	55°
171443 Amyas C31800/AGI3500/17W/93/A55	D180 x H200 ±1mm	AGI3500	1050	17W	62	55°
171444 Amyas C31800/AGI4000/17W/93/A55	D180 x H200 ±1mm	AGI4000	1115	17W	66	55°
171445 Amyas C31800/AGI3000/23W/93/A20	D180 x H200 ±1mm	AGI3000	1330	23W	58	20°
171446 Amyas C31800/AGI3500/23W/93/A20	D180 x H200 ±1mm	AGI3500	1440	23W	63	20°
171447 Amyas C31800/AGI4000/23W/93/A20	D180 x H200 ±1mm	AGI4000	1550	23W	68	20°
171448 Amyas C31800/AGI3000/23W/93/A30	D180 x H200 ±1mm	AGI3000	1330	23W	58	30°
171449 Amyas C31800/AGI3500/23W/93/A30	D180 x H200 ±1mm	AGI3500	1440	23W	63	30°
171450 Amyas C31800/AGI4000/23W/93/A30	D180 x H200 ±1mm	AGI4000	1550	23W	68	30°
171451 Amyas C31800/AGI3000/23W/93/A45	D180 x H200 ±1mm	AGI3000	1330	23W	58	45°
171452 Amyas C31800/AGI3500/23W/93/A45	D180 x H200 ±1mm	AGI3500	1440	23W	63	45°
171453 Amyas C31800/AGI4000/23W/93/A45	D180 x H200 ±1mm	AGI4000	1550	23W	68	45°
171454 Amyas C31800/AGI3000/23W/93/A55	D180 x H200 ±1mm	AGI3000	1330	23W	58	55°
171455 Amyas C31800/AGI3500/23W/93/A55	D180 x H200 ±1mm	AGI3500	1440	23W	63	55°
171456 Amyas C31800/AGI4000/23W/93/A55	D180 x H200 ±1mm	AGI4000	1550	23W	68	55°
171457 Amyas C32200/AGI3000/12W/93/A15	D220 x H240 ±1mm	AGI3000	735	12W	62	15°
171458 Amyas C32200/AGI3500/12W/93/A15	D220 x H240 ±1mm	AGI3500	780	12W	65	15°
171459 Amyas C32200/AGI4000/12W/93/A15	D220 x H240 ±1mm	AGI4000	830	12W	70	15°
171460 Amyas C32200/AGI3000/12W/93/A30	D220 x H240 ±1mm	AGI3000	735	12W	62	30°
171461 Amyas C32200/AGI3500/12W/93/A30	D220 x H240 ±1mm	AGI3500	780	12W	65	30°
171462 Amyas C32200/AGI4000/12W/93/A30	D220 x H240 ±1mm	AGI4000	830	12W	70	30°
171463 Amyas C32200/AGI3000/12W/93/A45	D220 x H240 ±1mm	AGI3000	735	12W	62	45°
171464 Amyas C32200/AGI3500/12W/93/A45	D220 x H240 ±1mm	AGI3500	780	12W	65	45°
171465 Amyas C32200/AGI4000/12W/93/A45	D220 x H240 ±1mm	AGI4000	830	12W	70	45°
171466 Amyas C32200/AGI3000/12W/93/A60	D220 x H240 ±1mm	AGI3000	735	12W	62	60°
171467 Amyas C32200/AGI3500/12W/93/A60	D220 x H240 ±1mm	AGI3500	780	12W	65	60°
171468 Amyas C32200/AGI4000/12W/93/A60	D220 x H240 ±1mm	AGI4000	830	12W	70	60°
171469 Amyas C32200/AGI3000/17W/93/A15	D220 x H240 ±1mm	AGI3000	985	17W	58	15°
171470 Amyas C32200/AGI3500/17W/93/A15	D220 x H240 ±1mm	AGI3500	1050	17W	62	15°

SKU SPECIFICATIONS

Product Code	Dimensions (mm)	CCT (K)	Lumens (lm)	Power (W)	Eff. (lm/watt)	Lens Angle (°)
CRI 93						
171471 Amyas C32200/AGI4000/17W/93/A15	D220 x H240 ±1mm	AGI4000	1115	17W	66	15°
171472 Amyas C32200/AGI3000/17W/93/A30	D220 x H240 ±1mm	AGI3000	985	17W	58	30°
171473 Amyas C32200/AGI3500/17W/93/A30	D220 x H240 ±1mm	AGI3500	1050	17W	62	30°
171474 Amyas C32200/AGI4000/17W/93/A30	D220 x H240 ±1mm	AGI4000	1115	17W	66	30°
171475 Amyas C32200/AGI3000/17W/93/A45	D220 x H240 ±1mm	AGI3000	985	17W	58	45°
171476 Amyas C32200/AGI3500/17W/93/A45	D220 x H240 ±1mm	AGI3500	1050	17W	62	45°
171477 Amyas C32200/AGI4000/17W/93/A45	D220 x H240 ±1mm	AGI4000	1115	17W	66	45°
171478 Amyas C32200/AGI3000/17W/93/A60	D220 x H240 ±1mm	AGI3000	985	17W	58	60°
171479 Amyas C32200/AGI3500/17W/93/A60	D220 x H240 ±1mm	AGI3500	1050	17W	62	60°
171480 Amyas C32200/AGI4000/17W/93/A60	D220 x H240 ±1mm	AGI4000	1115	17W	66	60°
171481 Amyas C32200/AGI3000/23W/93/A15	D220 x H240 ±1mm	AGI3000	1330	23W	58	15°
171482 Amyas C32200/AGI3500/23W/93/A15	D220 x H240 ±1mm	AGI3500	1440	23W	63	15°
171483 Amyas C32200/AGI4000/23W/93/A15	D220 x H240 ±1mm	AGI4000	1550	23W	68	15°
171484 Amyas C32200/AGI3000/23W/93/A30	D220 x H240 ±1mm	AGI3000	1330	23W	58	30°
171485 Amyas C32200/AGI3500/23W/93/A30	D220 x H240 ±1mm	AGI3500	1440	23W	63	30°
171486 Amyas C32200/AGI4000/23W/93/A30	D220 x H240 ±1mm	AGI4000	1550	23W	68	30°
171487 Amyas C32200/AGI3000/23W/93/A45	D220 x H240 ±1mm	AGI3000	1330	23W	58	45°
171488 Amyas C32200/AGI3500/23W/93/A45	D220 x H240 ±1mm	AGI3500	1440	23W	63	45°
171489 Amyas C32200/AGI4000/23W/93/A45	D220 x H240 ±1mm	AGI4000	1550	23W	68	45°
171490 Amyas C32200/AGI3000/23W/93/A60	D220 x H240 ±1mm	AGI3000	1330	23W	58	60°
171491 Amyas C32200/AGI3500/23W/93/A60	D220 x H240 ±1mm	AGI3500	1440	23W	63	60°
171492 Amyas C32200/AGI4000/23W/93/A60	D220 x H240 ±1mm	AGI4000	1550	23W	68	60°
171493 Amyas C32200/AGI3000/29W/93/A15	D220 x H240 ±1mm	AGI3000	1680	29W	58	15°
171494 Amyas C32200/AGI3500/29W/93/A15	D220 x H240 ±1mm	AGI3500	1820	29W	63	15°
171495 Amyas C32200/AGI4000/29W/93/A15	D220 x H240 ±1mm	AGI4000	1960	29W	68	15°
171496 Amyas C32200/AGI3000/29W/93/A30	D220 x H240 ±1mm	AGI3000	1680	29W	58	30°
171497 Amyas C32200/AGI3500/29W/93/A30	D220 x H240 ±1mm	AGI3500	1820	29W	63	30°
171498 Amyas C32200/AGI4000/29W/93/A30	D220 x H240 ±1mm	AGI4000	1960	29W	68	30°
171499 Amyas C32200/AGI3000/29W/93/A45	D220 x H240 ±1mm	AGI3000	1680	29W	58	45°
171500 Amyas C32200/AGI3500/29W/93/A45	D220 x H240 ±1mm	AGI3500	1820	29W	63	45°
171501 Amyas C32200/AGI4000/29W/93/A45	D220 x H240 ±1mm	AGI4000	1960	29W	68	45°
171502 Amyas C32200/AGI3000/29W/93/A60	D220 x H240 ±1mm	AGI3000	1680	29W	58	60°
171503 Amyas C32200/AGI3500/29W/93/A60	D220 x H240 ±1mm	AGI3500	1820	29W	63	60°
171504 Amyas C32200/AGI4000/29W/93/A60	D220 x H240 ±1mm	AGI4000	1960	29W	68	60°
171505 Amyas C32200/AGI3000/34W/93/A15	D220 x H240 ±1mm	AGI3000	1900	34W	56	15°
171506 Amyas C32200/AGI3500/34W/93/A15	D220 x H240 ±1mm	AGI3500	1995	34W	59	15°
171507 Amyas C32200/AGI4000/34W/93/A15	D220 x H240 ±1mm	AGI4000	2095	34W	62	15°
171508 Amyas C32200/AGI3000/34W/93/A30	D220 x H240 ±1mm	AGI3000	1900	34W	56	30°
171509 Amyas C32200/AGI3500/34W/93/A30	D220 x H240 ±1mm	AGI3500	1995	34W	59	30°
171510 Amyas C32200/AGI4000/34W/93/A30	D220 x H240 ±1mm	AGI4000	2095	34W	62	30°
171511 Amyas C32200/AGI3000/34W/93/A45	D220 x H240 ±1mm	AGI3000	1900	34W	56	45°
171512 Amyas C32200/AGI3500/34W/93/A45	D220 x H240 ±1mm	AGI3500	1995	34W	59	45°
171513 Amyas C32200/AGI4000/34W/93/A45	D220 x H240 ±1mm	AGI4000	2095	34W	62	45°
171514 Amyas C32200/AGI3000/34W/93/A60	D220 x H240 ±1mm	AGI3000	1900	34W	56	60°
171515 Amyas C32200/AGI3500/34W/93/A60	D220 x H240 ±1mm	AGI3500	1995	34W	59	60°
171516 Amyas C32200/AGI4000/34W/93/A60	D220 x H240 ±1mm	AGI4000	2095	34W	62	60°
CRI 95						
171312 Amyas C31800/FAS/27W/95/A20	D180 x H200 ±1mm	FAS	2080	27W	78	20°
171313 Amyas C31800/FAS/27W/95/A30	D180 x H200 ±1mm	FAS	2080	27W	78	30°

SKU SPECIFICATIONS

Product Code	Dimensions (mm)	CCT (K)	Lumens (lm)	Power (W)	Eff. (lm/watt)	Lens Angle (°)
CRI 95						
171314 Amyas C31800/FAS/27W/95/A45	D180 x H200 ±1mm	FAS	2080	27W	78	45°
171315 Amyas C31800/FAS/27W/95/A55	D180 x H200 ±1mm	FAS	2080	27W	78	55°
171324 Amyas C32200/FAS/27W/95/A15	D220 x H240 ±1mm	FAS	2080	27W	78	15°
171325 Amyas C32200/FAS/27W/95/A30	D220 x H240 ±1mm	FAS	2080	27W	78	30°
171326 Amyas C32200/FAS/27W/95/A45	D220 x H240 ±1mm	FAS	2080	27W	78	45°
171328 Amyas C32200/FAS/35W/95/A15	D220 x H240 ±1mm	FAS	2535	35W	73	15°
171329 Amyas C32200/FAS/35W/95/A30	D220 x H240 ±1mm	FAS	2535	35W	73	30°
171330 Amyas C32200/FAS/35W/95/A45	D220 x H240 ±1mm	FAS	2535	35W	73	45°
171332 Amyas C32200/FAS/42W/95/A15	D220 x H240 ±1mm	FAS	2930	42W	70	15°
171333 Amyas C32200/FAS/42W/95/A30	D220 x H240 ±1mm	FAS	2930	42W	70	30°
171334 Amyas C32200/FAS/42W/95/A45	D220 x H240 ±1mm	FAS	2930	42W	70	45°
CRI 98						
171375 Amyas C31800/ART3000/27W/98/A20	D180 x H200 ±1mm	ART3000	1995	27W	74	20°
171376 Amyas C31800/ART3000/27W/98/A30	D180 x H200 ±1mm	ART3000	1995	27W	74	30°
171377 Amyas C31800/ART3000/27W/98/A45	D180 x H200 ±1mm	ART3000	1995	27W	74	45°
171378 Amyas C31800/ART3000/27W/98/A55	D180 x H200 ±1mm	ART3000	1995	27W	74	55°
171391 Amyas C32200/ART3000/27W/98/A15	D220 x H240 ±1mm	ART3000	1995	27W	74	15°
171392 Amyas C32200/ART3000/27W/98/A30	D220 x H240 ±1mm	ART3000	1995	27W	74	30°
171393 Amyas C32200/ART3000/27W/98/A45	D220 x H240 ±1mm	ART3000	1995	27W	74	45°
171394 Amyas C32200/ART3000/27W/98/A60	D220 x H240 ±1mm	ART3000	1995	27W	74	60°
171395 Amyas C32200/ART3000/35W/98/A15	D220 x H240 ±1mm	ART3000	2425	35W	70	15°
171396 Amyas C32200/ART3000/35W/98/A30	D220 x H240 ±1mm	ART3000	2425	35W	70	30°
171397 Amyas C32200/ART3000/35W/98/A45	D220 x H240 ±1mm	ART3000	2425	35W	70	45°
171398 Amyas C32200/ART3000/35W/98/A60	D220 x H240 ±1mm	ART3000	2425	35W	70	60°
171399 Amyas C32200/ART3000/42W/98/A15	D220 x H240 ±1mm	ART3000	2755	42W	66	15°
171400 Amyas C32200/ART3000/42W/98/A30	D220 x H240 ±1mm	ART3000	2755	42W	66	30°
171401 Amyas C32200/ART3000/42W/98/A45	D220 x H240 ±1mm	ART3000	2755	42W	66	45°
171402 Amyas C32200/ART3000/42W/98/A60	D220 x H240 ±1mm	ART3000	2755	42W	66	60°