



Amyas TRK

TRACK DOWNLIGHTS | DALI SERIES

With an elegant and clean design, Amyas TRK is suspended luminaire mounted on track. Easy to install by simply clicking the adaptor into place. Suitable for special color temperatures. With eight different lens angles from narrow 10° to wide 60°.

PI-LED - Combines variable white light and light of the RGB color system in one single light source. It can vary the color temperature between 2700K - 6500K along Planckian curve in the course of a day.

Amyas TRK downlights come in several series, with various add-on and controls:

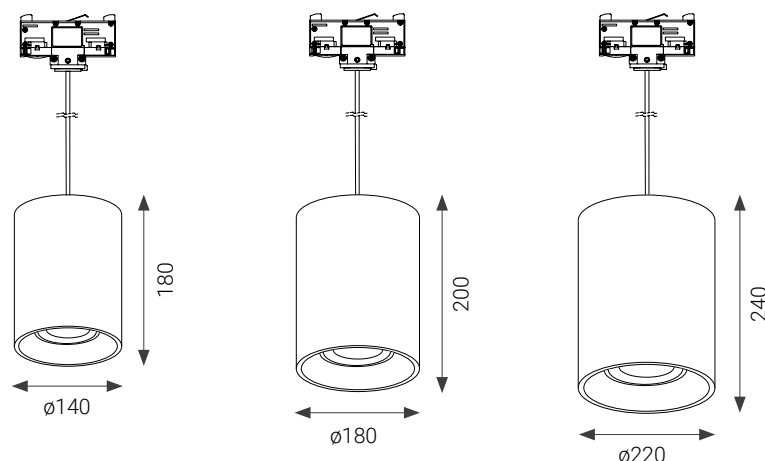
- Amyas TRK Non-DALI – the standard for any project in the retail sectors
- Amyas TRK DALI – with DALI controls for dimming
- Amyas TRK PI-LED – simulates the spectral quality of natural daylight over the entire day.

APPLICATION

Grocery & Supermarket | Office | Healthcare | Hospitality | DIY

FEATURES & BENEFITS

- CRI > 80 as standard, up to 98 for certain special colors
- 15 color temperatures, including 11 specialized options
- Great variety of optics – 8 angles from narrow beams to flood beams
- Luminaire efficiency: 117lm/W @4000K
- Dimmable



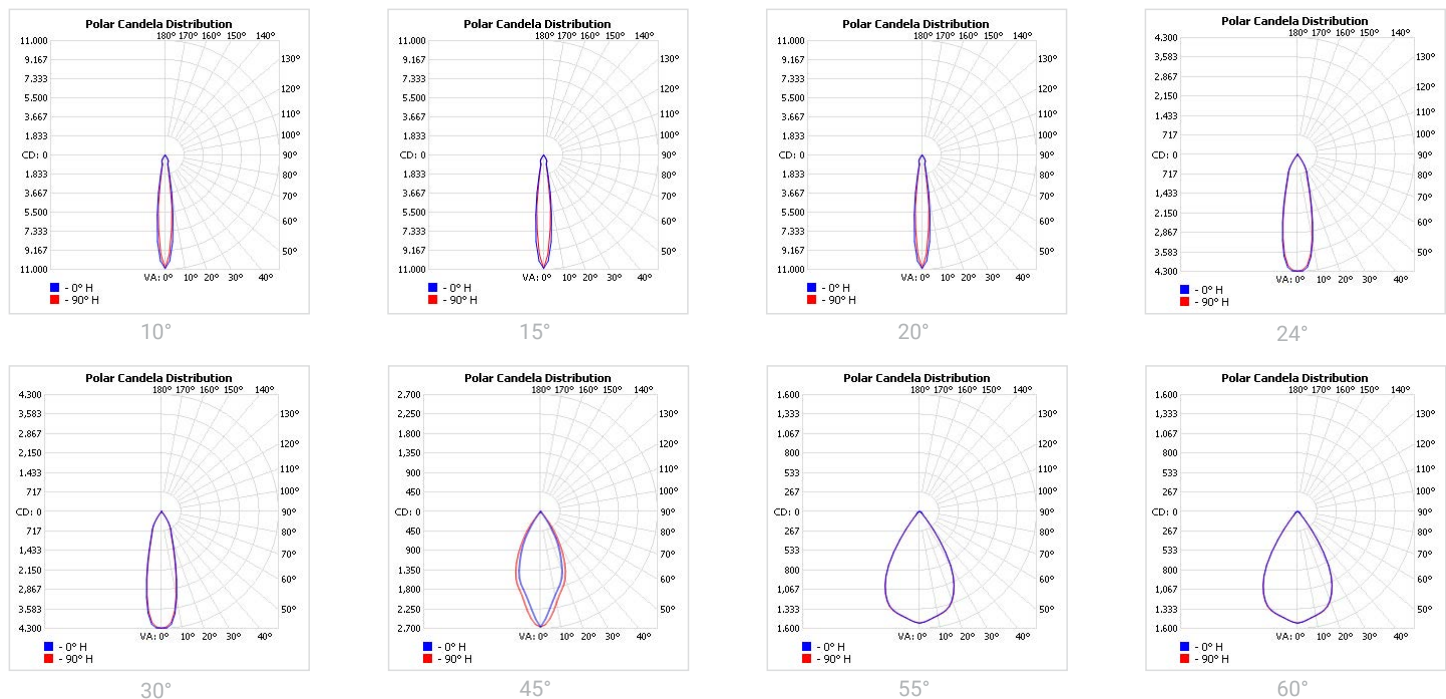
SPECIFICATIONS

Power consumption	12W, 14W, 17W, 20W, 23W, 27W, 29W, 34W, 35W, 42W		
Dimensions	D140xH180mm±1mm	D180 x H200 ±1mm	D220 x H240 ±1mm
Weight	1.2 - 1.9 Kg	1.8 - 2.1 Kg	2 - 2.1 Kg
Housing materials	Aluminium, Glass		
IK code	IK02		
THD (at 230V, 50Hz, Full load)	<20%		
Protection class	Safety class 1		
Operating temperature [°C]	-20°C ... +45°C / -4F ... +113F		
Operating humidity [%]	10 ÷ 85		
Power factor	≥0.95		
AC Input [Vac]	220 - 240 VAC		
Lens angle [°]	10°, 15°, 20°, 24°, 30°, 45°, 55°, 60°		
Lifespan [h]	50.000		
Housing color	○ RAL 9003 - Signal White, ● RAL 9005 - Jet Black, ● RAL 9006 - White Aluminium		
Lumen maintenance	L90/B10@50.000h at 25°C		
IP factor (general)	IP20		
Control option	DALI		
Warranty [years]	5		
Storage temperature range [°C]	-20°C ... +55°C / -4F ... +131F		
Emergency option	-		

#	Standard	Food	Fashion	AGI	ART	AMB
CRI	CRI80	CRI80	CRI95	CRI93	CRI98	CRI80
CCT [K]	2700 / 3000 / 3500 / 4000	BVF / FBS / FZM / FSM / FSH	FAS	AGI 3000 / 3500 / 4000	3000	2200
MacAdam	3	3 / 4 / 4 / 3 / 3	3	3	2	3

CRI - Color rendering, CCT - Color temperature, MacAdam - Color consistency

LIGHT DISTRIBUTION



TOLERANCES**Luminous flux tolerances:** -/+ 5%**Consumption tolerance:** -/+ 5% for Non-DALI | -/+ 10% for Non-DALI & KIT EM | -/+ 10% for DALI | -/+ 15% for DALI & KIT EM**BATTERY WARRANTY****Non-DALI EM & DALI EM:** 12 months warranty**Non-DALI & DALI:** -**MAXIMUM NO. OF LUMINAIRES ON A CIRCUIT**

Luminaire Power(W)	Control type	Circuit Breaker Type					
		B			C		
		20	16	10	20	16	10
8-20W	Non-DALI	62	50	31	104	85	52
23-35W	Non-DALI	24	20	10	47	40	20
42W	Non-DALI	20	16	8	38	32	16
8-20W	DALI	62	50	31	104	85	52
23-27W	DALI	18	15	9	31	50	15
34-42W	DALI	17	14	9	34	28	18

RISK GROUP

Standard (CRI80)	RG1
FOOD (BVF, FBS, FSM)	RG1
FOOD ≤35W (FZM, FSH)	RG1
FOOD >35W (FZM, FSH)	RG2
FAS	RG1
AMB2200	RG1
ART	RG1
AGI	RG1
CRI90	RG1
CRI95	RG1
ENT	RG1

RG1

The evaluation of photobiological safety is carried out according to the standard IEC 62471:2008 ("Photobiological safety of lamps and lamp systems"). Following the definition of the risk grouping system of the mentioned IEC standard, the LEDs mounted on this family fall into the class "Low Risk (RG1 – No photobiological hazard under normal behavioral limitations)". Under real circumstances (regarding exposure time, pupils, observation distance), it is assumed that there is no endangerment to the eye from these devices. As a matter of principle, however, it should be mentioned that intense light sources have a high secondary exposure potential due to their blinding effect.

RG2

The evaluation of photobiological safety is carried out according to the standard IEC 62471:2008 ("Photobiological safety of lamps and lamp systems"). Following the definition of the risk grouping system of the mentioned IEC standard, the LEDs mounted on this family fall into the class "Moderate Risk (RG2)". Under real circumstances (regarding exposure time, pupils, observation distance), it is assumed that there is no endangerment to the eye from these devices. As a matter of principle, however, it should be mentioned that intense light sources have a high secondary exposure potential due to their blinding effect.

SKU SPECIFICATIONS

Product Code	Dimensions (mm)	CCT (K)	Lumens (lm)	Power (W)	Eff. (lm/watt)	Lens Angle (°)
CRI 80						
272000 Amyas TRK C31400/2700/14W/80/A10	D140 x H180 ±1mm	2700	1485	14W	107	10°
272001 Amyas TRK C31400/3000/14W/80/A10	D140 x H180 ±1mm	3000	1500	14W	108	10°
272002 Amyas TRK C31400/3500/14W/80/A10	D140 x H180 ±1mm	3500	1540	14W	110	10°
272003 Amyas TRK C31400/4000/14W/80/A10	D140 x H180 ±1mm	4000	1570	14W	113	10°
272005 Amyas TRK C31400/2700/14W/80/A24	D140 x H180 ±1mm	2700	1485	14W	107	24°
272006 Amyas TRK C31400/3000/14W/80/A24	D140 x H180 ±1mm	3000	1500	14W	108	24°
272007 Amyas TRK C31400/3500/14W/80/A24	D140 x H180 ±1mm	3500	1540	14W	110	24°
272008 Amyas TRK C31400/4000/14W/80/A24	D140 x H180 ±1mm	4000	1570	14W	113	24°
272010 Amyas TRK C31400/2700/14W/80/A55	D140 x H180 ±1mm	2700	1485	14W	107	55°
272011 Amyas TRK C31400/3000/14W/80/A55	D140 x H180 ±1mm	3000	1500	14W	108	55°
272012 Amyas TRK C31400/3500/14W/80/A55	D140 x H180 ±1mm	3500	1540	14W	110	55°
272013 Amyas TRK C31400/4000/14W/80/A55	D140 x H180 ±1mm	4000	1570	14W	113	55°
272015 Amyas TRK C31400/2700/20W/80/A10	D140 x H180 ±1mm	2700	2080	20W	104	10°
272016 Amyas TRK C31400/3000/20W/80/A10	D140 x H180 ±1mm	3000	2100	20W	105	10°
272017 Amyas TRK C31400/3500/20W/80/A10	D140 x H180 ±1mm	3500	2160	20W	108	10°
272018 Amyas TRK C31400/4000/20W/80/A10	D140 x H180 ±1mm	4000	2200	20W	110	10°
272020 Amyas TRK C31400/2700/20W/80/A24	D140 x H180 ±1mm	2700	2080	20W	104	24°
272021 Amyas TRK C31400/3000/20W/80/A24	D140 x H180 ±1mm	3000	2100	20W	105	24°
272022 Amyas TRK C31400/3500/20W/80/A24	D140 x H180 ±1mm	3500	2160	20W	108	24°
272023 Amyas TRK C31400/4000/20W/80/A24	D140 x H180 ±1mm	4000	2200	20W	110	24°
272025 Amyas TRK C31400/2700/20W/80/A55	D140 x H180 ±1mm	2700	2080	20W	104	55°
272026 Amyas TRK C31400/3000/20W/80/A55	D140 x H180 ±1mm	3000	2100	20W	105	55°
272027 Amyas TRK C31400/3500/20W/80/A55	D140 x H180 ±1mm	3500	2160	20W	108	55°
272028 Amyas TRK C31400/4000/20W/80/A55	D140 x H180 ±1mm	4000	2200	20W	110	55°
272030 Amyas TRK C31800/2700/14W/80/A20	D180 x H200 ±1mm	2700	1485	14W	107	20°
272031 Amyas TRK C31800/3000/14W/80/A20	D180 x H200 ±1mm	3000	1500	14W	108	20°
272032 Amyas TRK C31800/3500/14W/80/A20	D180 x H200 ±1mm	3500	1540	14W	110	20°
272033 Amyas TRK C31800/4000/14W/80/A20	D180 x H200 ±1mm	4000	1570	14W	113	20°
272035 Amyas TRK C31800/2700/14W/80/A30	D180 x H200 ±1mm	2700	1485	14W	107	30°
272036 Amyas TRK C31800/3000/14W/80/A30	D180 x H200 ±1mm	3000	1500	14W	108	30°
272037 Amyas TRK C31800/3500/14W/80/A30	D180 x H200 ±1mm	3500	1540	14W	110	30°
272038 Amyas TRK C31800/4000/14W/80/A30	D180 x H200 ±1mm	4000	1570	14W	113	30°
272040 Amyas TRK C31800/2700/14W/80/A45	D180 x H200 ±1mm	2700	1485	14W	107	45°
272041 Amyas TRK C31800/3000/14W/80/A45	D180 x H200 ±1mm	3000	1500	14W	108	45°
272042 Amyas TRK C31800/3500/14W/80/A45	D180 x H200 ±1mm	3500	1540	14W	110	45°
272043 Amyas TRK C31800/4000/14W/80/A45	D180 x H200 ±1mm	4000	1570	14W	113	45°
272045 Amyas TRK C31800/2700/14W/80/A55	D180 x H200 ±1mm	2700	1485	14W	107	55°
272046 Amyas TRK C31800/3000/14W/80/A55	D180 x H200 ±1mm	3000	1500	14W	108	55°
272047 Amyas TRK C31800/3500/14W/80/A55	D180 x H200 ±1mm	3500	1540	14W	110	55°
272048 Amyas TRK C31800/4000/14W/80/A55	D180 x H200 ±1mm	4000	1570	14W	113	55°
272050 Amyas TRK C31800/2700/20W/80/A20	D180 x H200 ±1mm	2700	2080	20W	104	20°
272051 Amyas TRK C31800/3000/20W/80/A20	D180 x H200 ±1mm	3000	2100	20W	105	20°
272052 Amyas TRK C31800/3500/20W/80/A20	D180 x H200 ±1mm	3500	2160	20W	108	20°
272053 Amyas TRK C31800/4000/20W/80/A20	D180 x H200 ±1mm	4000	2200	20W	110	20°
272055 Amyas TRK C31800/2700/20W/80/A30	D180 x H200 ±1mm	2700	2080	20W	104	30°
272056 Amyas TRK C31800/3000/20W/80/A30	D180 x H200 ±1mm	3000	2100	20W	105	30°
272057 Amyas TRK C31800/3500/20W/80/A30	D180 x H200 ±1mm	3500	2160	20W	108	30°
272058 Amyas TRK C31800/4000/20W/80/A30	D180 x H200 ±1mm	4000	2200	20W	110	30°
272060 Amyas TRK C31800/2700/20W/80/A45	D180 x H200 ±1mm	2700	2080	20W	104	45°
272061 Amyas TRK C31800/3000/20W/80/A45	D180 x H200 ±1mm	3000	2100	20W	105	45°

SKU SPECIFICATIONS

Product Code	Dimensions (mm)	CCT (K)	Lumens (lm)	Power (W)	Eff. (lm/watt)	Lens Angle (°)
CRI 80						
272062 Amyas TRK C31800/3500/20W/80/A45	D180 x H200 ±1mm	3500	2160	20W	108	45°
272063 Amyas TRK C31800/4000/20W/80/A45	D180 x H200 ±1mm	4000	2200	20W	110	45°
272065 Amyas TRK C31800/2700/20W/80/A55	D180 x H200 ±1mm	2700	2080	20W	104	55°
272066 Amyas TRK C31800/3000/20W/80/A55	D180 x H200 ±1mm	3000	2100	20W	105	55°
272067 Amyas TRK C31800/3500/20W/80/A55	D180 x H200 ±1mm	3500	2160	20W	108	55°
272068 Amyas TRK C31800/4000/20W/80/A55	D180 x H200 ±1mm	4000	2200	20W	110	55°
272070 Amyas TRK C31800/2700/27W/80/A20	D180 x H200 ±1mm	2700	2945	27W	110	20°
272071 Amyas TRK C31800/3000/27W/80/A20	D180 x H200 ±1mm	3000	2970	27W	110	20°
272072 Amyas TRK C31800/3500/27W/80/A20	D180 x H200 ±1mm	3500	3055	27W	114	20°
272073 Amyas TRK C31800/4000/27W/80/A20	D180 x H200 ±1mm	4000	3135	27W	117	20°
272075 Amyas TRK C31800/2700/27W/80/A30	D180 x H200 ±1mm	2700	2945	27W	110	30°
272076 Amyas TRK C31800/3000/27W/80/A30	D180 x H200 ±1mm	3000	2970	27W	110	30°
272077 Amyas TRK C31800/3500/27W/80/A30	D180 x H200 ±1mm	3500	3055	27W	114	30°
272078 Amyas TRK C31800/4000/27W/80/A30	D180 x H200 ±1mm	4000	3135	27W	117	30°
272080 Amyas TRK C31800/2700/27W/80/A45	D180 x H200 ±1mm	2700	2945	27W	110	45°
272081 Amyas TRK C31800/3000/27W/80/A45	D180 x H200 ±1mm	3000	2970	27W	110	45°
272082 Amyas TRK C31800/3500/27W/80/A45	D180 x H200 ±1mm	3500	3055	27W	114	45°
272083 Amyas TRK C31800/4000/27W/80/A45	D180 x H200 ±1mm	4000	3135	27W	117	45°
272085 Amyas TRK C31800/2700/27W/80/A55	D180 x H200 ±1mm	2700	2945	27W	110	55°
272086 Amyas TRK C31800/3000/27W/80/A55	D180 x H200 ±1mm	3000	2970	27W	110	55°
272087 Amyas TRK C31800/3500/27W/80/A55	D180 x H200 ±1mm	3500	3055	27W	114	55°
272088 Amyas TRK C31800/4000/27W/80/A55	D180 x H200 ±1mm	4000	3135	27W	117	55°
272090 Amyas TRK C32200/2700/14W/80/A15	D220 x H240 ±1mm	2700	1485	14W	107	15°
272091 Amyas TRK C32200/3000/14W/80/A15	D220 x H240 ±1mm	3000	1500	14W	108	15°
272092 Amyas TRK C32200/3500/14W/80/A15	D220 x H240 ±1mm	3500	1540	14W	110	15°
272093 Amyas TRK C32200/4000/14W/80/A15	D220 x H240 ±1mm	4000	1570	14W	113	15°
272095 Amyas TRK C32200/2700/14W/80/A30	D220 x H240 ±1mm	2700	1485	14W	107	30°
272096 Amyas TRK C32200/3000/14W/80/A30	D220 x H240 ±1mm	3000	1500	14W	108	30°
272097 Amyas TRK C32200/3500/14W/80/A30	D220 x H240 ±1mm	3500	1540	14W	110	30°
272098 Amyas TRK C32200/4000/14W/80/A30	D220 x H240 ±1mm	4000	1570	14W	113	30°
272100 Amyas TRK C32200/2700/14W/80/A45	D220 x H240 ±1mm	2700	1485	14W	107	45°
272101 Amyas TRK C32200/3000/14W/80/A45	D220 x H240 ±1mm	3000	1500	14W	108	45°
272102 Amyas TRK C32200/3500/14W/80/A45	D220 x H240 ±1mm	3500	1540	14W	110	45°
272103 Amyas TRK C32200/4000/14W/80/A45	D220 x H240 ±1mm	4000	1570	14W	113	45°
272105 Amyas TRK C32200/2700/14W/80/A60	D220 x H240 ±1mm	2700	1485	14W	107	60°
272106 Amyas TRK C32200/3000/14W/80/A60	D220 x H240 ±1mm	3000	1500	14W	108	60°
272107 Amyas TRK C32200/3500/14W/80/A60	D220 x H240 ±1mm	3500	1540	14W	110	60°
272108 Amyas TRK C32200/4000/14W/80/A60	D220 x H240 ±1mm	4000	1570	14W	113	60°
272110 Amyas TRK C32200/2700/20W/80/A15	D220 x H240 ±1mm	2700	2080	20W	104	15°
272111 Amyas TRK C32200/3000/20W/80/A15	D220 x H240 ±1mm	3000	2100	20W	105	15°
272112 Amyas TRK C32200/3500/20W/80/A15	D220 x H240 ±1mm	3500	2160	20W	108	15°
272113 Amyas TRK C32200/4000/20W/80/A15	D220 x H240 ±1mm	4000	2200	20W	110	15°
272115 Amyas TRK C32200/2700/20W/80/A30	D220 x H240 ±1mm	2700	2080	20W	104	30°
272116 Amyas TRK C32200/3000/20W/80/A30	D220 x H240 ±1mm	3000	2100	20W	105	30°
272117 Amyas TRK C32200/3500/20W/80/A30	D220 x H240 ±1mm	3500	2160	20W	108	30°
272118 Amyas TRK C32200/4000/20W/80/A30	D220 x H240 ±1mm	4000	2200	20W	110	30°
272120 Amyas TRK C32200/2700/20W/80/A45	D220 x H240 ±1mm	2700	2080	20W	104	45°
272121 Amyas TRK C32200/3000/20W/80/A45	D220 x H240 ±1mm	3000	2100	20W	105	45°
272122 Amyas TRK C32200/3500/20W/80/A45	D220 x H240 ±1mm	3500	2160	20W	108	45°
272123 Amyas TRK C32200/4000/20W/80/A45	D220 x H240 ±1mm	4000	2200	20W	110	45°

SKU SPECIFICATIONS

Product Code	Dimensions (mm)	CCT (K)	Lumens (lm)	Power (W)	Eff. (lm/watt)	Lens Angle (°)
CRI 80						
272125 Amyas TRK C32200/2700/20W/80/A60	D220 x H240 ±1mm	2700	2080	20W	104	60°
272126 Amyas TRK C32200/3000/20W/80/A60	D220 x H240 ±1mm	3000	2100	20W	105	60°
272127 Amyas TRK C32200/3500/20W/80/A60	D220 x H240 ±1mm	3500	2160	20W	108	60°
272128 Amyas TRK C32200/4000/20W/80/A60	D220 x H240 ±1mm	4000	2200	20W	110	60°
272130 Amyas TRK C32200/2700/27W/80/A15	D220 x H240 ±1mm	2700	2945	27W	110	15°
272131 Amyas TRK C32200/3000/27W/80/A15	D220 x H240 ±1mm	3000	2970	27W	110	15°
272132 Amyas TRK C32200/3500/27W/80/A15	D220 x H240 ±1mm	3500	3055	27W	114	15°
272133 Amyas TRK C32200/4000/27W/80/A15	D220 x H240 ±1mm	4000	3135	27W	117	15°
272135 Amyas TRK C32200/2700/27W/80/A30	D220 x H240 ±1mm	2700	2945	27W	110	30°
272136 Amyas TRK C32200/3000/27W/80/A30	D220 x H240 ±1mm	3000	2970	27W	110	30°
272137 Amyas TRK C32200/3500/27W/80/A30	D220 x H240 ±1mm	3500	3055	27W	114	30°
272138 Amyas TRK C32200/4000/27W/80/A30	D220 x H240 ±1mm	4000	3135	27W	117	30°
272140 Amyas TRK C32200/2700/27W/80/A45	D220 x H240 ±1mm	2700	2945	27W	110	45°
272141 Amyas TRK C32200/3000/27W/80/A45	D220 x H240 ±1mm	3000	2970	27W	110	45°
272142 Amyas TRK C32200/3500/27W/80/A45	D220 x H240 ±1mm	3500	3055	27W	114	45°
272143 Amyas TRK C32200/4000/27W/80/A45	D220 x H240 ±1mm	4000	3135	27W	117	45°
272145 Amyas TRK C32200/2700/27W/80/A60	D220 x H240 ±1mm	2700	2945	27W	110	60°
272146 Amyas TRK C32200/3000/27W/80/A60	D220 x H240 ±1mm	3000	2970	27W	110	60°
272147 Amyas TRK C32200/3500/27W/80/A60	D220 x H240 ±1mm	3500	3055	27W	114	60°
272148 Amyas TRK C32200/4000/27W/80/A60	D220 x H240 ±1mm	4000	3135	27W	117	60°
272150 Amyas TRK C32200/2700/35W/80/A15	D220 x H240 ±1mm	2700	3710	35W	106	15°
272151 Amyas TRK C32200/3000/35W/80/A15	D220 x H240 ±1mm	3000	3745	35W	107	15°
272152 Amyas TRK C32200/3500/35W/80/A15	D220 x H240 ±1mm	3500	3815	35W	109	15°
272153 Amyas TRK C32200/4000/35W/80/A15	D220 x H240 ±1mm	4000	3920	35W	112	15°
272155 Amyas TRK C32200/2700/35W/80/A30	D220 x H240 ±1mm	2700	3710	35W	106	30°
272156 Amyas TRK C32200/3000/35W/80/A30	D220 x H240 ±1mm	3000	3745	35W	107	30°
272157 Amyas TRK C32200/3500/35W/80/A30	D220 x H240 ±1mm	3500	3815	35W	109	30°
272158 Amyas TRK C32200/4000/35W/80/A30	D220 x H240 ±1mm	4000	3920	35W	112	30°
272160 Amyas TRK C32200/2700/35W/80/A45	D220 x H240 ±1mm	2700	3710	35W	106	45°
272161 Amyas TRK C32200/3000/35W/80/A45	D220 x H240 ±1mm	3000	3745	35W	107	45°
272162 Amyas TRK C32200/3500/35W/80/A45	D220 x H240 ±1mm	3500	3815	35W	109	45°
272163 Amyas TRK C32200/4000/35W/80/A45	D220 x H240 ±1mm	4000	3920	35W	112	45°
272165 Amyas TRK C32200/2700/35W/80/A60	D220 x H240 ±1mm	2700	3710	35W	106	60°
272166 Amyas TRK C32200/3000/35W/80/A60	D220 x H240 ±1mm	3000	3745	35W	107	60°
272167 Amyas TRK C32200/3500/35W/80/A60	D220 x H240 ±1mm	3500	3815	35W	109	60°
272168 Amyas TRK C32200/4000/35W/80/A60	D220 x H240 ±1mm	4000	3920	35W	112	60°
272170 Amyas TRK C32200/2700/42W/80/A15	D220 x H240 ±1mm	2700	4200	42W	100	15°
272171 Amyas TRK C32200/3000/42W/80/A15	D220 x H240 ±1mm	3000	4200	42W	100	15°
272172 Amyas TRK C32200/3500/42W/80/A15	D220 x H240 ±1mm	3500	4330	42W	103	15°
272173 Amyas TRK C32200/4000/42W/80/A15	D220 x H240 ±1mm	4000	4455	42W	106	15°
272175 Amyas TRK C32200/2700/42W/80/A30	D220 x H240 ±1mm	2700	4200	42W	100	30°
272176 Amyas TRK C32200/3000/42W/80/A30	D220 x H240 ±1mm	3000	4200	42W	100	30°
272177 Amyas TRK C32200/3500/42W/80/A30	D220 x H240 ±1mm	3500	4330	42W	103	30°
272178 Amyas TRK C32200/4000/42W/80/A30	D220 x H240 ±1mm	4000	4455	42W	106	30°
272180 Amyas TRK C32200/2700/42W/80/A45	D220 x H240 ±1mm	2700	4200	42W	100	45°
272181 Amyas TRK C32200/3000/42W/80/A45	D220 x H240 ±1mm	3000	4200	42W	100	45°
272182 Amyas TRK C32200/3500/42W/80/A45	D220 x H240 ±1mm	3500	4330	42W	103	45°
272183 Amyas TRK C32200/4000/42W/80/A45	D220 x H240 ±1mm	4000	4455	42W	106	45°
272185 Amyas TRK C32200/2700/42W/80/A60	D220 x H240 ±1mm	2700	4200	42W	100	60°
272186 Amyas TRK C32200/3000/42W/80/A60	D220 x H240 ±1mm	3000	4200	42W	100	60°

SKU SPECIFICATIONS

Product Code	Dimensions (mm)	CCT (K)	Lumens (lm)	Power (W)	Eff. (lm/watt)	Lens Angle (°)
CRI 80						
272187 Amyas TRK C32200/3500/42W/80/A60	D220 x H240 ±1mm	3500	4330	42W	103	60°
272188 Amyas TRK C32200/4000/42W/80/A60	D220 x H240 ±1mm	4000	4455	42W	106	60°
272218 Amyas TRK C31800/BVF/27W/80/A20	D180 x H200 ±1mm	BVF	2065	27W	77	20°
272219 Amyas TRK C31800/FBS/27W/80/A20	D180 x H200 ±1mm	FBS	1635	27W	61	20°
272220 Amyas TRK C31800/FZM/27W/80/A20	D180 x H200 ±1mm	FZM	1530	27W	57	20°
272221 Amyas TRK C31800/FSM/27W/80/A20	D180 x H200 ±1mm	FSM	1530	27W	57	20°
272339 Amyas TRK C31800/FSH/27W/80/A20	D180 x H200 ±1mm	FSH	2250	27W	84	20°
272222 Amyas TRK C31800/BVF/27W/80/A30	D180 x H200 ±1mm	BVF	2065	27W	77	30°
272223 Amyas TRK C31800/FBS/27W/80/A30	D180 x H200 ±1mm	FBS	1635	27W	61	30°
272224 Amyas TRK C31800/FZM/27W/80/A30	D180 x H200 ±1mm	FZM	1530	27W	57	30°
272225 Amyas TRK C31800/FSM/27W/80/A30	D180 x H200 ±1mm	FSM	1530	27W	57	30°
272340 Amyas TRK C31800/FSH/27W/80/A30	D180 x H200 ±1mm	FSH	2250	27W	84	30°
272226 Amyas TRK C31800/BVF/27W/80/A45	D180 x H200 ±1mm	BVF	2065	27W	77	45°
272227 Amyas TRK C31800/FBS/27W/80/A45	D180 x H200 ±1mm	FBS	1635	27W	61	45°
272228 Amyas TRK C31800/FZM/27W/80/A45	D180 x H200 ±1mm	FZM	1530	27W	57	45°
272229 Amyas TRK C31800/FSM/27W/80/A45	D180 x H200 ±1mm	FSM	1530	27W	57	45°
272341 Amyas TRK C31800/FSH/27W/80/A45	D180 x H200 ±1mm	FSH	2250	27W	84	45°
272250 Amyas TRK C32200/BVF/27W/80/A15	D220 x H240 ±1mm	BVF	2065	27W	77	15°
272251 Amyas TRK C32200/FBS/27W/80/A15	D220 x H240 ±1mm	FBS	1635	27W	61	15°
272252 Amyas TRK C32200/FZM/27W/80/A15	D220 x H240 ±1mm	FZM	1530	27W	57	15°
272253 Amyas TRK C32200/FSM/27W/80/A15	D220 x H240 ±1mm	FSM	1530	27W	57	15°
272343 Amyas TRK C32200/FSH/27W/80/A15	D220 x H240 ±1mm	FSH	2250	27W	84	15°
272254 Amyas TRK C32200/BVF/27W/80/A30	D220 x H240 ±1mm	BVF	2065	27W	77	30°
272255 Amyas TRK C32200/FBS/27W/80/A30	D220 x H240 ±1mm	FBS	1635	27W	61	30°
272256 Amyas TRK C32200/FZM/27W/80/A30	D220 x H240 ±1mm	FZM	1530	27W	57	30°
272257 Amyas TRK C32200/FSM/27W/80/A30	D220 x H240 ±1mm	FSM	1530	27W	57	30°
272344 Amyas TRK C32200/FSH/27W/80/A30	D220 x H240 ±1mm	FSH	2250	27W	84	30°
272258 Amyas TRK C32200/BVF/27W/80/A45	D220 x H240 ±1mm	BVF	2065	27W	77	45°
272259 Amyas TRK C32200/FBS/27W/80/A45	D220 x H240 ±1mm	FBS	1635	27W	61	45°
272260 Amyas TRK C32200/FZM/27W/80/A45	D220 x H240 ±1mm	FZM	1530	27W	57	45°
272261 Amyas TRK C32200/FSM/27W/80/A45	D220 x H240 ±1mm	FSM	1530	27W	57	45°
272345 Amyas TRK C32200/FSH/27W/80/A45	D220 x H240 ±1mm	FSH	2250	27W	84	45°
272262 Amyas TRK C32200/BVF/27W/80/A60	D220 x H240 ±1mm	BVF	2065	27W	77	60°
272263 Amyas TRK C32200/FBS/27W/80/A60	D220 x H240 ±1mm	FBS	1635	27W	61	60°
272264 Amyas TRK C32200/FZM/27W/80/A60	D220 x H240 ±1mm	FZM	1530	27W	57	60°
272265 Amyas TRK C32200/FSM/27W/80/A60	D220 x H240 ±1mm	FSM	1530	27W	57	60°
272346 Amyas TRK C32200/FSH/27W/80/A60	D220 x H240 ±1mm	FSH	2250	27W	84	60°
272266 Amyas TRK C32200/BVF/35W/80/A15	D220 x H240 ±1mm	BVF	2590	35W	74	15°
272267 Amyas TRK C32200/FBS/35W/80/A15	D220 x H240 ±1mm	FBS	2115	35W	61	15°
272268 Amyas TRK C32200/FZM/35W/80/A15	D220 x H240 ±1mm	FZM	1980	35W	57	15°
272269 Amyas TRK C32200/FSM/35W/80/A15	D220 x H240 ±1mm	FSM	1980	35W	57	15°
272347 Amyas TRK C32200/FSH/35W/80/A15	D220 x H240 ±1mm	FSH	2755	35W	79	15°
272270 Amyas TRK C32200/BVF/35W/80/A30	D220 x H240 ±1mm	BVF	2590	35W	74	30°
272271 Amyas TRK C32200/FBS/35W/80/A30	D220 x H240 ±1mm	FBS	2115	35W	61	30°
272272 Amyas TRK C32200/FZM/35W/80/A30	D220 x H240 ±1mm	FZM	1980	35W	57	30°
272273 Amyas TRK C32200/FSM/35W/80/A30	D220 x H240 ±1mm	FSM	1980	35W	57	30°
272348 Amyas TRK C32200/FSH/35W/80/A30	D220 x H240 ±1mm	FSH	2755	35W	79	30°
272274 Amyas TRK C32200/BVF/35W/80/A45	D220 x H240 ±1mm	BVF	2590	35W	74	45°
272275 Amyas TRK C32200/FBS/35W/80/A45	D220 x H240 ±1mm	FBS	2115	35W	61	45°
272276 Amyas TRK C32200/FZM/35W/80/A45	D220 x H240 ±1mm	FZM	1980	35W	57	45°

SKU SPECIFICATIONS

Product Code	Dimensions (mm)	CCT (K)	Lumens (lm)	Power (W)	Eff. (lm/watt)	Lens Angle (°)
CRI 80						
272277 Amyas TRK C32200/FSM/35W/80/A45	D220 x H240 ±1mm	FSM	1980	35W	57	45°
272349 Amyas TRK C32200/FSH/35W/80/A45	D220 x H240 ±1mm	FSH	2755	35W	79	45°
272278 Amyas TRK C32200/BVF/35W/80/A60	D220 x H240 ±1mm	BVF	2590	35W	74	60°
272279 Amyas TRK C32200/FBS/35W/80/A60	D220 x H240 ±1mm	FBS	2115	35W	61	60°
272280 Amyas TRK C32200/FZM/35W/80/A60	D220 x H240 ±1mm	FZM	1980	35W	57	60°
272281 Amyas TRK C32200/FSM/35W/80/A60	D220 x H240 ±1mm	FSM	1980	35W	57	60°
272350 Amyas TRK C32200/FSH/35W/80/A60	D220 x H240 ±1mm	FSH	2755	35W	79	60°
272282 Amyas TRK C32200/BVF/42W/80/A15	D220 x H240 ±1mm	BVF	2870	42W	69	15°
272283 Amyas TRK C32200/FBS/42W/80/A15	D220 x H240 ±1mm	FBS	2450	42W	59	15°
272284 Amyas TRK C32200/FZM/42W/80/A15	D220 x H240 ±1mm	FZM	2325	42W	56	15°
272285 Amyas TRK C32200/FSM/42W/80/A15	D220 x H240 ±1mm	FSM	2325	42W	56	15°
272351 Amyas TRK C32200/FSH/42W/80/A15	D220 x H240 ±1mm	FSH	3155	42W	76	15°
272286 Amyas TRK C32200/BVF/42W/80/A30	D220 x H240 ±1mm	BVF	2870	42W	69	30°
272287 Amyas TRK C32200/FBS/42W/80/A30	D220 x H240 ±1mm	FBS	2450	42W	59	30°
272288 Amyas TRK C32200/FZM/42W/80/A30	D220 x H240 ±1mm	FZM	2325	42W	56	30°
272289 Amyas TRK C32200/FSM/42W/80/A30	D220 x H240 ±1mm	FSM	2325	42W	56	30°
272352 Amyas TRK C32200/FSH/42W/80/A30	D220 x H240 ±1mm	FSH	3155	42W	76	30°
272290 Amyas TRK C32200/BVF/42W/80/A45	D220 x H240 ±1mm	BVF	2870	42W	69	45°
272291 Amyas TRK C32200/FBS/42W/80/A45	D220 x H240 ±1mm	FBS	2450	42W	59	45°
272292 Amyas TRK C32200/FZM/42W/80/A45	D220 x H240 ±1mm	FZM	2325	42W	56	45°
272293 Amyas TRK C32200/FSM/42W/80/A45	D220 x H240 ±1mm	FSM	2325	42W	56	45°
272353 Amyas TRK C32200/FSH/42W/80/A45	D220 x H240 ±1mm	FSH	3155	42W	76	45°
272294 Amyas TRK C32200/BVF/42W/80/A60	D220 x H240 ±1mm	BVF	2870	42W	69	60°
272295 Amyas TRK C32200/FBS/42W/80/A60	D220 x H240 ±1mm	FBS	2450	42W	59	60°
272296 Amyas TRK C32200/FZM/42W/80/A60	D220 x H240 ±1mm	FZM	2325	42W	56	60°
272297 Amyas TRK C32200/FSM/42W/80/A60	D220 x H240 ±1mm	FSM	2325	42W	56	60°
272354 Amyas TRK C32200/FSH/42W/80/A60	D220 x H240 ±1mm	FSH	3155	42W	76	60°
272517 Amyas TRK C31400/BVF/20W/80/A10	D140 x H180 ±1mm	BVF	1540	20W	77	10°
272518 Amyas TRK C31400/FBS/20W/80/A10	D140 x H180 ±1mm	FBS	1220	20W	61	10°
272519 Amyas TRK C31400/FZM/20W/80/A10	D140 x H180 ±1mm	FZM	1140	20W	57	10°
272520 Amyas TRK C31400/FSM/20W/80/A10	D140 x H180 ±1mm	FSM	1140	20W	57	10°
272521 Amyas TRK C31400/FSH/20W/80/A10	D140 x H180 ±1mm	FSH	1680	20W	84	10°
272522 Amyas TRK C31400/BVF/20W/80/A24	D140 x H180 ±1mm	BVF	1540	20W	77	24°
272523 Amyas TRK C31400/FBS/20W/80/A24	D140 x H180 ±1mm	FBS	1220	20W	61	24°
272524 Amyas TRK C31400/FZM/20W/80/A24	D140 x H180 ±1mm	FZM	1140	20W	57	24°
272525 Amyas TRK C31400/FSM/20W/80/A24	D140 x H180 ±1mm	FSM	1140	20W	57	24°
272526 Amyas TRK C31400/FSH/20W/80/A24	D140 x H180 ±1mm	FSH	1680	20W	84	24°
272593 Amyas TRK C31400/BVF/20W/80/A55	D140 x H180 ±1mm	BVF	1540	20W	77	55°
272594 Amyas TRK C31400/FBS/20W/80/A55	D140 x H180 ±1mm	FBS	1220	20W	61	55°
272595 Amyas TRK C31400/FZM/20W/80/A55	D140 x H180 ±1mm	FZM	1140	20W	57	55°
272596 Amyas TRK C31400/FSM/20W/80/A55	D140 x H180 ±1mm	FSM	1140	20W	57	55°
272597 Amyas TRK C31400/FSH/20W/80/A55	D140 x H180 ±1mm	FSH	1680	20W	84	55°
272598 Amyas TRK C31400/AMB2200/14W/80/A10	D140 x H180 ±1mm	AMB2200	1020	14W	73	10°
272599 Amyas TRK C31400/AMB2200/14W/80/A24	D140 x H180 ±1mm	AMB2200	1020	14W	73	24°
272600 Amyas TRK C31400/AMB2200/14W/80/A55	D140 x H180 ±1mm	AMB2200	1020	14W	73	55°
272601 Amyas TRK C31400/AMB2200/20W/80/A10	D140 x H180 ±1mm	AMB2200	1410	20W	71	10°
272602 Amyas TRK C31400/AMB2200/20W/80/A24	D140 x H180 ±1mm	AMB2200	1410	20W	71	24°
272603 Amyas TRK C31400/AMB2200/20W/80/A55	D140 x H180 ±1mm	AMB2200	1410	20W	71	55°
272604 Amyas TRK C31800/AMB2200/14W/80/A20	D180 x H200 ±1mm	AMB2200	1020	14W	73	20°
272605 Amyas TRK C31800/AMB2200/14W/80/A30	D180 x H200 ±1mm	AMB2200	1020	14W	73	30°

SKU SPECIFICATIONS

Product Code	Dimensions (mm)	CCT (K)	Lumens (lm)	Power (W)	Eff. (lm/watt)	Lens Angle (°)
CRI 80						
272606 Amyas TRK C31800/AMB2200/14W/80/A45	D180 x H200 ±1mm	AMB2200	1020	14W	73	45°
272607 Amyas TRK C31800/AMB2200/14W/80/A55	D180 x H200 ±1mm	AMB2200	1020	14W	73	55°
272608 Amyas TRK C31800/AMB2200/20W/80/A20	D180 x H200 ±1mm	AMB2200	1410	20W	71	20°
272609 Amyas TRK C31800/AMB2200/20W/80/A30	D180 x H200 ±1mm	AMB2200	1410	20W	71	30°
272610 Amyas TRK C31800/AMB2200/20W/80/A45	D180 x H200 ±1mm	AMB2200	1410	20W	71	45°
272611 Amyas TRK C31800/AMB2200/20W/80/A55	D180 x H200 ±1mm	AMB2200	1410	20W	71	55°
272612 Amyas TRK C31800/AMB2200/27W/80/A20	D180 x H200 ±1mm	AMB2200	1870	27W	70	20°
272613 Amyas TRK C31800/AMB2200/27W/80/A30	D180 x H200 ±1mm	AMB2200	1870	27W	70	30°
272614 Amyas TRK C31800/AMB2200/27W/80/A45	D180 x H200 ±1mm	AMB2200	1870	27W	70	45°
272615 Amyas TRK C31800/AMB2200/27W/80/A55	D180 x H200 ±1mm	AMB2200	1870	27W	70	55°
272616 Amyas TRK C32200/AMB2200/14W/80/A15	D220 x H240 ±1mm	AMB2200	1020	14W	73	15°
272617 Amyas TRK C32200/AMB2200/14W/80/A30	D220 x H240 ±1mm	AMB2200	1020	14W	73	30°
272618 Amyas TRK C32200/AMB2200/14W/80/A45	D220 x H240 ±1mm	AMB2200	1020	14W	73	45°
272619 Amyas TRK C32200/AMB2200/14W/80/A60	D220 x H240 ±1mm	AMB2200	1020	14W	73	60°
272620 Amyas TRK C32200/AMB2200/20W/80/A15	D220 x H240 ±1mm	AMB2200	1410	20W	71	15°
272621 Amyas TRK C32200/AMB2200/20W/80/A30	D220 x H240 ±1mm	AMB2200	1410	20W	71	30°
272622 Amyas TRK C32200/AMB2200/20W/80/A45	D220 x H240 ±1mm	AMB2200	1410	20W	71	45°
272623 Amyas TRK C32200/AMB2200/20W/80/A60	D220 x H240 ±1mm	AMB2200	1410	20W	71	60°
272624 Amyas TRK C32200/AMB2200/27W/80/A15	D220 x H240 ±1mm	AMB2200	1870	27W	70	15°
272625 Amyas TRK C32200/AMB2200/27W/80/A30	D220 x H240 ±1mm	AMB2200	1870	27W	70	30°
272626 Amyas TRK C32200/AMB2200/27W/80/A45	D220 x H240 ±1mm	AMB2200	1870	27W	70	45°
272627 Amyas TRK C32200/AMB2200/27W/80/A60	D220 x H240 ±1mm	AMB2200	1870	27W	70	60°
272628 Amyas TRK C32200/AMB2200/35W/80/A15	D220 x H240 ±1mm	AMB2200	2585	35W	74	15°
272629 Amyas TRK C32200/AMB2200/35W/80/A30	D220 x H240 ±1mm	AMB2200	2585	35W	74	30°
272630 Amyas TRK C32200/AMB2200/35W/80/A45	D220 x H240 ±1mm	AMB2200	2585	35W	74	45°
272631 Amyas TRK C32200/AMB2200/35W/80/A60	D220 x H240 ±1mm	AMB2200	2585	35W	74	60°
272632 Amyas TRK C32200/AMB2200/42W/80/A15	D220 x H240 ±1mm	AMB2200	2930	42W	70	15°
272633 Amyas TRK C32200/AMB2200/42W/80/A30	D220 x H240 ±1mm	AMB2200	2930	42W	70	30°
272634 Amyas TRK C32200/AMB2200/42W/80/A45	D220 x H240 ±1mm	AMB2200	2930	42W	70	45°
272635 Amyas TRK C32200/AMB2200/42W/80/A60	D220 x H240 ±1mm	AMB2200	2930	42W	70	60°
CRI 93						
272403 Amyas TRK C31400/AGI3000/12W/93/A10	D140 x H180 ±1mm	AGI3000	735	12W	62	10°
272404 Amyas TRK C31400/AGI3500/12W/93/A10	D140 x H180 ±1mm	AGI3500	780	12W	65	10°
272405 Amyas TRK C31400/AGI4000/12W/93/A10	D140 x H180 ±1mm	AGI4000	830	12W	70	10°
272406 Amyas TRK C31400/AGI3000/12W/93/A24	D140 x H180 ±1mm	AGI3000	735	12W	62	24°
272407 Amyas TRK C31400/AGI3500/12W/93/A24	D140 x H180 ±1mm	AGI3500	780	12W	65	24°
272408 Amyas TRK C31400/AGI4000/12W/93/A24	D140 x H180 ±1mm	AGI4000	830	12W	70	24°
272409 Amyas TRK C31400/AGI3000/12W/93/A55	D140 x H180 ±1mm	AGI3000	735	12W	62	55°
272410 Amyas TRK C31400/AGI3500/12W/93/A55	D140 x H180 ±1mm	AGI3500	780	12W	65	55°
272411 Amyas TRK C31400/AGI4000/12W/93/A55	D140 x H180 ±1mm	AGI4000	830	12W	70	55°
272412 Amyas TRK C31400/AGI3000/17W/93/A10	D140 x H180 ±1mm	AGI3000	985	17W	58	10°
272413 Amyas TRK C31400/AGI3500/17W/93/A10	D140 x H180 ±1mm	AGI3500	1050	17W	62	10°
272414 Amyas TRK C31400/AGI4000/17W/93/A10	D140 x H180 ±1mm	AGI4000	1115	17W	66	10°
272415 Amyas TRK C31400/AGI3000/17W/93/A24	D140 x H180 ±1mm	AGI3000	985	17W	58	24°
272416 Amyas TRK C31400/AGI3500/17W/93/A24	D140 x H180 ±1mm	AGI3500	1050	17W	62	24°
272417 Amyas TRK C31400/AGI4000/17W/93/A24	D140 x H180 ±1mm	AGI4000	1115	17W	66	24°
272418 Amyas TRK C31400/AGI3000/17W/93/A55	D140 x H180 ±1mm	AGI3000	985	17W	58	55°
272419 Amyas TRK C31400/AGI3500/17W/93/A55	D140 x H180 ±1mm	AGI3500	1050	17W	62	55°
272420 Amyas TRK C31400/AGI4000/17W/93/A55	D140 x H180 ±1mm	AGI4000	1115	17W	66	55°

SKU SPECIFICATIONS

Product Code	Dimensions (mm)	CCT (K)	Lumens (lm)	Power (W)	Eff. (lm/watt)	Lens Angle (°)
CRI 93						
272421 Amyas TRK C31800/AGI3000/12W/93/A20	D140 x H180 ±1mm	AGI3000	735	12W	62	20°
272422 Amyas TRK C31800/AGI3500/12W/93/A20	D140 x H180 ±1mm	AGI3500	780	12W	65	20°
272423 Amyas TRK C31800/AGI4000/12W/93/A20	D140 x H180 ±1mm	AGI4000	830	12W	70	20°
272424 Amyas TRK C31800/AGI3000/12W/93/A30	D140 x H180 ±1mm	AGI3000	735	12W	62	30°
272425 Amyas TRK C31800/AGI3500/12W/93/A30	D140 x H180 ±1mm	AGI3500	780	12W	65	30°
272426 Amyas TRK C31800/AGI4000/12W/93/A30	D180 x H200 ±1mm	AGI4000	830	12W	70	30°
272427 Amyas TRK C31800/AGI3000/12W/93/A45	D180 x H200 ±1mm	AGI3000	735	12W	62	45°
272428 Amyas TRK C31800/AGI3500/12W/93/A45	D180 x H200 ±1mm	AGI3500	780	12W	65	45°
272429 Amyas TRK C31800/AGI4000/12W/93/A45	D180 x H200 ±1mm	AGI4000	830	12W	70	45°
272430 Amyas TRK C31800/AGI3000/12W/93/A55	D180 x H200 ±1mm	AGI3000	735	12W	62	55°
272431 Amyas TRK C31800/AGI3500/12W/93/A55	D180 x H200 ±1mm	AGI3500	780	12W	65	55°
272432 Amyas TRK C31800/AGI4000/12W/93/A55	D180 x H200 ±1mm	AGI4000	830	12W	70	55°
272433 Amyas TRK C31800/AGI3000/17W/93/A20	D180 x H200 ±1mm	AGI3000	985	17W	58	20°
272434 Amyas TRK C31800/AGI3500/17W/93/A20	D180 x H200 ±1mm	AGI3500	1050	17W	62	20°
272435 Amyas TRK C31800/AGI4000/17W/93/A20	D180 x H200 ±1mm	AGI4000	1115	17W	66	20°
272436 Amyas TRK C31800/AGI3000/17W/93/A30	D180 x H200 ±1mm	AGI3000	985	17W	58	30°
272437 Amyas TRK C31800/AGI3500/17W/93/A30	D180 x H200 ±1mm	AGI3500	1050	17W	62	30°
272438 Amyas TRK C31800/AGI4000/17W/93/A30	D180 x H200 ±1mm	AGI4000	1115	17W	66	30°
272439 Amyas TRK C31800/AGI3000/17W/93/A45	D180 x H200 ±1mm	AGI3000	985	17W	58	45°
272440 Amyas TRK C31800/AGI3500/17W/93/A45	D180 x H200 ±1mm	AGI3500	1050	17W	62	45°
272441 Amyas TRK C31800/AGI4000/17W/93/A45	D180 x H200 ±1mm	AGI4000	1115	17W	66	45°
272442 Amyas TRK C31800/AGI3000/17W/93/A55	D180 x H200 ±1mm	AGI3000	985	17W	58	55°
272443 Amyas TRK C31800/AGI3500/17W/93/A55	D180 x H200 ±1mm	AGI3500	1050	17W	62	55°
272444 Amyas TRK C31800/AGI4000/17W/93/A55	D180 x H200 ±1mm	AGI4000	1115	17W	66	55°
272445 Amyas TRK C31800/AGI3000/23W/93/A20	D180 x H200 ±1mm	AGI3000	1330	23W	58	20°
272446 Amyas TRK C31800/AGI3500/23W/93/A20	D180 x H200 ±1mm	AGI3500	1440	23W	63	20°
272447 Amyas TRK C31800/AGI4000/23W/93/A20	D180 x H200 ±1mm	AGI4000	1550	23W	68	20°
272448 Amyas TRK C31800/AGI3000/23W/93/A30	D180 x H200 ±1mm	AGI3000	1330	23W	58	30°
272449 Amyas TRK C31800/AGI3500/23W/93/A30	D180 x H200 ±1mm	AGI3500	1440	23W	63	30°
272450 Amyas TRK C31800/AGI4000/23W/93/A30	D180 x H200 ±1mm	AGI4000	1550	23W	68	30°
272451 Amyas TRK C31800/AGI3000/23W/93/A45	D180 x H200 ±1mm	AGI3000	1330	23W	58	45°
272452 Amyas TRK C31800/AGI3500/23W/93/A45	D180 x H200 ±1mm	AGI3500	1440	23W	63	45°
272453 Amyas TRK C31800/AGI4000/23W/93/A45	D180 x H200 ±1mm	AGI4000	1550	23W	68	45°
272454 Amyas TRK C31800/AGI3000/23W/93/A55	D180 x H200 ±1mm	AGI3000	1330	23W	58	55°
272455 Amyas TRK C31800/AGI3500/23W/93/A55	D180 x H200 ±1mm	AGI3500	1440	23W	63	55°
272456 Amyas TRK C31800/AGI4000/23W/93/A55	D180 x H200 ±1mm	AGI4000	1550	23W	68	55°
272457 Amyas TRK C32200/AGI3000/12W/93/A15	D180 x H200 ±1mm	AGI3000	735	12W	62	15°
272458 Amyas TRK C32200/AGI3500/12W/93/A15	D180 x H200 ±1mm	AGI3500	780	12W	65	15°
272459 Amyas TRK C32200/AGI4000/12W/93/A15	D180 x H200 ±1mm	AGI4000	830	12W	70	15°
272460 Amyas TRK C32200/AGI3000/12W/93/A30	D180 x H200 ±1mm	AGI3000	735	12W	62	30°
272461 Amyas TRK C32200/AGI3500/12W/93/A30	D180 x H200 ±1mm	AGI3500	780	12W	65	30°
272462 Amyas TRK C32200/AGI4000/12W/93/A30	D220 x H240 ±1mm	AGI4000	830	12W	70	30°
272463 Amyas TRK C32200/AGI3000/12W/93/A45	D220 x H240 ±1mm	AGI3000	735	12W	62	45°
272464 Amyas TRK C32200/AGI3500/12W/93/A45	D220 x H240 ±1mm	AGI3500	780	12W	65	45°
272465 Amyas TRK C32200/AGI4000/12W/93/A45	D220 x H240 ±1mm	AGI4000	830	12W	70	45°
272466 Amyas TRK C32200/AGI3000/12W/93/A60	D220 x H240 ±1mm	AGI3000	735	12W	62	60°
272467 Amyas TRK C32200/AGI3500/12W/93/A60	D220 x H240 ±1mm	AGI3500	780	12W	65	60°
272468 Amyas TRK C32200/AGI4000/12W/93/A60	D220 x H240 ±1mm	AGI4000	830	12W	70	60°
272469 Amyas TRK C32200/AGI3000/17W/93/A15	D220 x H240 ±1mm	AGI3000	985	17W	58	15°
272470 Amyas TRK C32200/AGI3500/17W/93/A15	D220 x H240 ±1mm	AGI3500	1050	17W	62	15°

SKU SPECIFICATIONS

Product Code	Dimensions (mm)	CCT (K)	Lumens (lm)	Power (W)	Eff. (lm/watt)	Lens Angle (°)
CRI 93						
272471 Amyas TRK C32200/AGI4000/17W/93/A15	D220 x H240 ±1mm	AGI4000	1115	17W	66	15°
272472 Amyas TRK C32200/AGI3000/17W/93/A30	D220 x H240 ±1mm	AGI3000	985	17W	58	30°
272473 Amyas TRK C32200/AGI3500/17W/93/A30	D220 x H240 ±1mm	AGI3500	1050	17W	62	30°
272474 Amyas TRK C32200/AGI4000/17W/93/A30	D220 x H240 ±1mm	AGI4000	1115	17W	66	30°
272475 Amyas TRK C32200/AGI3000/17W/93/A45	D220 x H240 ±1mm	AGI3000	985	17W	58	45°
272476 Amyas TRK C32200/AGI3500/17W/93/A45	D220 x H240 ±1mm	AGI3500	1050	17W	62	45°
272477 Amyas TRK C32200/AGI4000/17W/93/A45	D220 x H240 ±1mm	AGI4000	1115	17W	66	45°
272478 Amyas TRK C32200/AGI3000/17W/93/A60	D220 x H240 ±1mm	AGI3000	985	17W	58	60°
272479 Amyas TRK C32200/AGI3500/17W/93/A60	D220 x H240 ±1mm	AGI3500	1050	17W	62	60°
272480 Amyas TRK C32200/AGI4000/17W/93/A60	D220 x H240 ±1mm	AGI4000	1115	17W	66	60°
272481 Amyas TRK C32200/AGI3000/23W/93/A15	D220 x H240 ±1mm	AGI3000	1330	23W	58	15°
272482 Amyas TRK C32200/AGI3500/23W/93/A15	D220 x H240 ±1mm	AGI3500	1440	23W	63	15°
272483 Amyas TRK C32200/AGI4000/23W/93/A15	D220 x H240 ±1mm	AGI4000	1550	23W	68	15°
272484 Amyas TRK C32200/AGI3000/23W/93/A30	D220 x H240 ±1mm	AGI3000	1330	23W	58	30°
272485 Amyas TRK C32200/AGI3500/23W/93/A30	D220 x H240 ±1mm	AGI3500	1440	23W	63	30°
272486 Amyas TRK C32200/AGI4000/23W/93/A30	D220 x H240 ±1mm	AGI4000	1550	23W	68	30°
272487 Amyas TRK C32200/AGI3000/23W/93/A45	D220 x H240 ±1mm	AGI3000	1330	23W	58	45°
272488 Amyas TRK C32200/AGI3500/23W/93/A45	D220 x H240 ±1mm	AGI3500	1440	23W	63	45°
272489 Amyas TRK C32200/AGI4000/23W/93/A45	D220 x H240 ±1mm	AGI4000	1550	23W	68	45°
272490 Amyas TRK C32200/AGI3000/23W/93/A60	D220 x H240 ±1mm	AGI3000	1330	23W	58	60°
272491 Amyas TRK C32200/AGI3500/23W/93/A60	D220 x H240 ±1mm	AGI3500	1440	23W	63	60°
272492 Amyas TRK C32200/AGI4000/23W/93/A60	D220 x H240 ±1mm	AGI4000	1550	23W	68	60°
272493 Amyas TRK C32200/AGI3000/29W/93/A15	D220 x H240 ±1mm	AGI3000	1680	29W	58	15°
272494 Amyas TRK C32200/AGI3500/29W/93/A15	D220 x H240 ±1mm	AGI3500	1820	29W	63	15°
272495 Amyas TRK C32200/AGI4000/29W/93/A15	D220 x H240 ±1mm	AGI4000	1960	29W	68	15°
272496 Amyas TRK C32200/AGI3000/29W/93/A30	D220 x H240 ±1mm	AGI3000	1680	29W	58	30°
272497 Amyas TRK C32200/AGI3500/29W/93/A30	D220 x H240 ±1mm	AGI3500	1820	29W	63	30°
272498 Amyas TRK C32200/AGI4000/29W/93/A30	D220 x H240 ±1mm	AGI4000	1960	29W	68	30°
272499 Amyas TRK C32200/AGI3000/29W/93/A45	D220 x H240 ±1mm	AGI3000	1680	29W	58	45°
272500 Amyas TRK C32200/AGI3500/29W/93/A45	D220 x H240 ±1mm	AGI3500	1820	29W	63	45°
272501 Amyas TRK C32200/AGI4000/29W/93/A45	D220 x H240 ±1mm	AGI4000	1960	29W	68	45°
272502 Amyas TRK C32200/AGI3000/29W/93/A60	D220 x H240 ±1mm	AGI3000	1680	29W	58	60°
272503 Amyas TRK C32200/AGI3500/29W/93/A60	D220 x H240 ±1mm	AGI3500	1820	29W	63	60°
272504 Amyas TRK C32200/AGI4000/29W/93/A60	D220 x H240 ±1mm	AGI4000	1960	29W	68	60°
272505 Amyas TRK C32200/AGI3000/34W/93/A15	D220 x H240 ±1mm	AGI3000	1900	34W	56	15°
272506 Amyas TRK C32200/AGI3500/34W/93/A15	D220 x H240 ±1mm	AGI3500	1995	34W	59	15°
272507 Amyas TRK C32200/AGI4000/34W/93/A15	D220 x H240 ±1mm	AGI4000	2095	34W	62	15°
272508 Amyas TRK C32200/AGI3000/34W/93/A30	D220 x H240 ±1mm	AGI3000	1900	34W	56	30°
272509 Amyas TRK C32200/AGI3500/34W/93/A30	D220 x H240 ±1mm	AGI3500	1995	34W	59	30°
272510 Amyas TRK C32200/AGI4000/34W/93/A30	D220 x H240 ±1mm	AGI4000	2095	34W	62	30°
272511 Amyas TRK C32200/AGI3000/34W/93/A45	D220 x H240 ±1mm	AGI3000	1900	34W	56	45°
272512 Amyas TRK C32200/AGI3500/34W/93/A45	D220 x H240 ±1mm	AGI3500	1995	34W	59	45°
272513 Amyas TRK C32200/AGI4000/34W/93/A45	D220 x H240 ±1mm	AGI4000	2095	34W	62	45°
272514 Amyas TRK C32200/AGI3000/34W/93/A60	D220 x H240 ±1mm	AGI3000	1900	34W	56	60°
272515 Amyas TRK C32200/AGI3500/34W/93/A60	D220 x H240 ±1mm	AGI3500	1995	34W	59	60°
272516 Amyas TRK C32200/AGI4000/34W/93/A60	D220 x H240 ±1mm	AGI4000	2095	34W	62	60°
CRI 95						
272312 Amyas TRK C31800/FAS/27W/95/A20	D180 x H200 ±1mm	FAS	2080	27W	78	20°
272313 Amyas TRK C31800/FAS/27W/95/A30	D180 x H200 ±1mm	FAS	2080	27W	78	30°

SKU SPECIFICATIONS

Product Code	Dimensions (mm)	CCT (K)	Lumens (lm)	Power (W)	Eff. (lm/watt)	Lens Angle (°)
CRI 95						
272314 Amyas TRK C31800/FAS/27W/95/A45	D180 x H200 ±1mm	FAS	2080	27W	78	45°
272315 Amyas TRK C31800/FAS/27W/95/A55	D180 x H200 ±1mm	FAS	2080	27W	78	55°
272324 Amyas TRK C32200/FAS/27W/95/A15	D220 x H240 ±1mm	FAS	2080	27W	78	15°
272325 Amyas TRK C32200/FAS/27W/95/A30	D220 x H240 ±1mm	FAS	2080	27W	78	30°
272326 Amyas TRK C32200/FAS/27W/95/A45	D220 x H240 ±1mm	FAS	2080	27W	78	45°
272328 Amyas TRK C32200/FAS/35W/95/A15	D220 x H240 ±1mm	FAS	2535	35W	73	15°
272329 Amyas TRK C32200/FAS/35W/95/A30	D220 x H240 ±1mm	FAS	2535	35W	73	30°
272330 Amyas TRK C32200/FAS/35W/95/A45	D220 x H240 ±1mm	FAS	2535	35W	73	45°
272332 Amyas TRK C32200/FAS/42W/95/A15	D220 x H240 ±1mm	FAS	2930	42W	70	15°
272333 Amyas TRK C32200/FAS/42W/95/A30	D220 x H240 ±1mm	FAS	2930	42W	70	30°
272334 Amyas TRK C32200/FAS/42W/95/A45	D220 x H240 ±1mm	FAS	2930	42W	70	45°
CRI 98						
272375 Amyas TRK C31800/ART3000/27W/98/A20	D180 x H200 ±1mm	ART3000	1995	27W	74	20°
272376 Amyas TRK C31800/ART3000/27W/98/A30	D180 x H200 ±1mm	ART3000	1995	27W	74	30°
272377 Amyas TRK C31800/ART3000/27W/98/A45	D180 x H200 ±1mm	ART3000	1995	27W	74	45°
272378 Amyas TRK C31800/ART3000/27W/98/A55	D180 x H200 ±1mm	ART3000	1995	27W	74	55°
272391 Amyas TRK C32200/ART3000/27W/98/A15	D220 x H240 ±1mm	ART3000	1995	27W	74	15°
272392 Amyas TRK C32200/ART3000/27W/98/A30	D220 x H240 ±1mm	ART3000	1995	27W	74	30°
272393 Amyas TRK C32200/ART3000/27W/98/A45	D220 x H240 ±1mm	ART3000	1995	27W	74	45°
272394 Amyas TRK C32200/ART3000/27W/98/A60	D220 x H240 ±1mm	ART3000	1995	27W	74	60°
272395 Amyas TRK C32200/ART3000/35W/98/A15	D220 x H240 ±1mm	ART3000	2425	35W	70	15°
272396 Amyas TRK C32200/ART3000/35W/98/A30	D220 x H240 ±1mm	ART3000	2425	35W	70	30°
272397 Amyas TRK C32200/ART3000/35W/98/A45	D220 x H240 ±1mm	ART3000	2425	35W	70	45°
272398 Amyas TRK C32200/ART3000/35W/98/A60	D220 x H240 ±1mm	ART3000	2425	35W	70	60°
272399 Amyas TRK C32200/ART3000/42W/98/A15	D220 x H240 ±1mm	ART3000	2755	42W	66	15°
272400 Amyas TRK C32200/ART3000/42W/98/A30	D220 x H240 ±1mm	ART3000	2755	42W	66	30°
272401 Amyas TRK C32200/ART3000/42W/98/A45	D220 x H240 ±1mm	ART3000	2755	42W	66	45°
272402 Amyas TRK C32200/ART3000/42W/98/A60	D220 x H240 ±1mm	ART3000	2755	42W	66	60°