



Iris 2

TRACK DOWNLIGHTS | TEC SERIES

Iris 2 is a cylindrical minimal low voltage track mounted luminaire with an elegant and slim silhouette. Iris 2 possesses a unique geometrical and sleek design extends the several application options also to hospitality and residential environments.

The low voltage adapter contains the electronics that converts constant voltage (48 V) to constant current for the luminaire. Easy to mount without tools to the low voltage track.

Iris has several series, determined by various add-on and controls:

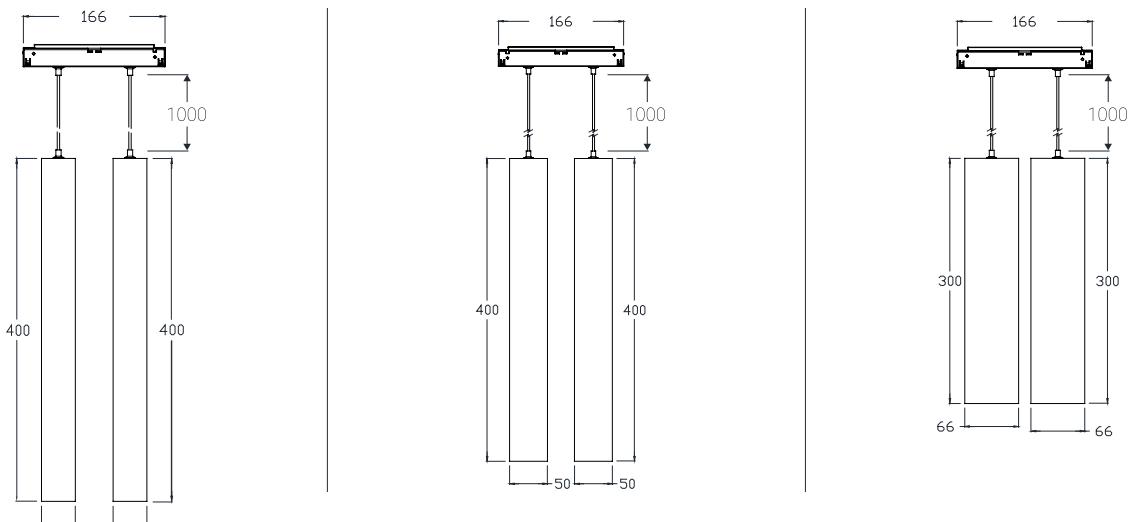
- Iris Non-DALI: the standard for any project in the retail sector
- Iris DALI: with DALI controls for illumination adjustment

APPLICATION

Grocery & Supermarket | Retail | Art & Exhibition | Hospitality

FEATURES & BENEFITS

- CRI > 80 as standard, up to 93 for certain special colors
- 8 color temperatures, including specialized options for ambiance and AGI light
- Long rated life: L90/B10@50.000h
- Luminaire efficiency: 117 lm/W @4000K
- Dimmable (only for DALI Series)



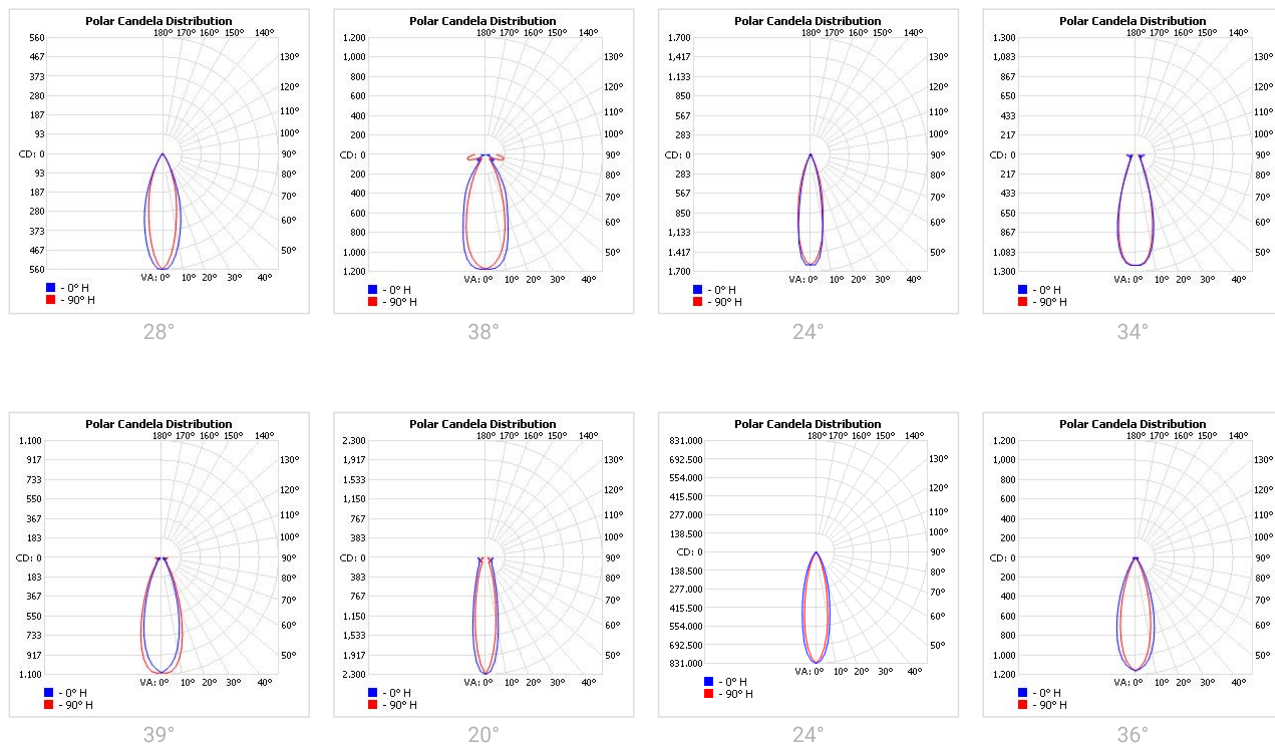
SPECIFICATIONS

Power consumption	8W, 14W, 18W, 20W	8W, 10W, 14W, 20W, 22W, 28W	14W, 18W, 20W, 26W, 30W, 34W, 36W
Dimensions	Ø40x400±1mm	Ø50x400±1mm	Ø58x300±1mm
Weight	1.4 Kg	1.6 Kg	1.6 Kg
Housing materials	Aluminium, Glass		
IK code	IK02		
Protection class	Safety class 1		
Operating temperature [°C]	-20°C ... +45°C / -4F ... +113F		
Operating humidity [%]	10 ÷ 85		
AC Input [Vac]	48 Vdc		
Lens angle [°]	28°, 38°	24°, 34°, 39°	20°, 24°, 36°
Lifespan [h]	50,000		
Housing color	○ RAL 9016 - traffic white, ● RAL 9005 - jet black		
Lumen maintenance	L90/B10@50.000h at 25°C		
IP factor	IP20		
Control optional	-		
Warranty [years]	5		
Storage temperature range [°C]	-20°C ... +55°C / -4F ... +131F		
Emergency option	-		

Light application	Standard	AMB	AGI
CRI	CRI 80	CRI 80	CRI 93
CCT [K]	2700K/3000K/3500K/4000K	2200K	AGI3000/AGI3500/AGI4000
MacAdam	3	3	3

CRI - Color rendering, CCT - Color temperature, MacAdam - Color consistency

LIGHT DISTRIBUTION



RISK GROUP

RG1

The evaluation of photobiological safety is carried out according to the standard IEC 62471:2008 ("Photobiological safety of lamps and lamp systems"). Following the definition of the risk grouping system of the mentioned IEC standard, the LEDs mounted on this family fall into the class "Low Risk (RG1 – No photobiological hazard under normal behavioral limitations)". Under real circumstances (regarding exposure time, pupils, observation distance), it is assumed that there is no endangerment to the eye from these devices. As a matter of principle, however, it should be mentioned that intense light sources have a high secondary exposure potential due to their blinding effect.

SKU SPECIFICATIONS

Product Code	Dimensions (mm)	CCT (K)	Lumens (lm)	Power (W)	Eff. (lm/watt)	Lens Angle (°)
CRI 80						
1A9500 Iris 2S AG9301X2/2700/8W/80/A28	Ø40x400±1mm X2	2700	650	8W	82	20°
1A9501 Iris 2S AG9301X2/3000/8W/80/A28	Ø40x400±1mm X2	3000	690	8W	87	20°
1A9502 Iris 2S AG9301X2/3500/8W/80/A28	Ø40x400±1mm X2	3500	710	8W	89	20°
1A9503 Iris 2S AG9301X2/4000/8W/80/A28	Ø40x400±1mm X2	4000	720	8W	90	20°
1A9504 Iris 2S AG9301X2/2700/8W/80/A38	Ø40x400±1mm X2	2700	650	8W	82	30°
1A9505 Iris 2S AG9301X2/3000/8W/80/A38	Ø40x400±1mm X2	3000	690	8W	87	30°
1A9506 Iris 2S AG9301X2/3500/8W/80/A38	Ø40x400±1mm X2	3500	710	8W	89	30°
1A9507 Iris 2S AG9301X2/4000/8W/80/A38	Ø40x400±1mm X2	4000	720	8W	90	30°
1A9508 Iris 2S AG9301X2/2700/18W/80/A28	Ø40x400±1mm X2	2700	1410	18W	79	20°
1A9509 Iris 2S AG9301X2/3000/18W/80/A28	Ø40x400±1mm X2	3000	1480	18W	83	20°
1A9510 Iris 2S AG9301X2/3500/18W/80/A28	Ø40x400±1mm X2	3500	1520	18W	85	20°
1A9511 Iris 2S AG9301X2/4000/18W/80/A28	Ø40x400±1mm X2	4000	1550	18W	87	20°
1A9512 Iris 2S AG9301X2/2700/18W/80/A38	Ø40x400±1mm X2	2700	1410	18W	79	30°
1A9513 Iris 2S AG9301X2/3000/18W/80/A38	Ø40x400±1mm X2	3000	1480	18W	83	30°
1A9514 Iris 2S AG9301X2/3500/18W/80/A38	Ø40x400±1mm X2	3500	1520	18W	85	30°
1A9515 Iris 2S AG9301X2/4000/18W/80/A38	Ø40x400±1mm X2	4000	1550	18W	87	30°
1A9516 Iris 2M AG9302X2/2700/10W/80/A24	Ø50x400±1mm X2	2700	970	10W	97	15°
1A9517 Iris 2M AG9302X2/3000/10W/80/A24	Ø50x400±1mm X2	3000	1020	10W	102	15°
1A9518 Iris 2M AG9302X2/3500/10W/80/A24	Ø50x400±1mm X2	3500	1050	10W	105	15°
1A9519 Iris 2M AG9302X2/4000/10W/80/A24	Ø50x400±1mm X2	4000	1070	10W	107	15°
1A9520 Iris 2M AG9302X2/2700/10W/80/A34	Ø50x400±1mm X2	2700	970	10W	97	24°
1A9521 Iris 2M AG9302X2/3000/10W/80/A34	Ø50x400±1mm X2	3000	1020	10W	102	24°
1A9522 Iris 2M AG9302X2/3500/10W/80/A34	Ø50x400±1mm X2	3500	1050	10W	105	24°
1A9523 Iris 2M AG9302X2/4000/10W/80/A34	Ø50x400±1mm X2	4000	1070	10W	107	24°
1A9524 Iris 2M AG9302X2/2700/10W/80/A39	Ø50x400±1mm X2	2700	970	10W	97	36°
1A9525 Iris 2M AG9302X2/3000/10W/80/A39	Ø50x400±1mm X2	3000	1020	10W	102	36°
1A9526 Iris 2M AG9302X2/3500/10W/80/A39	Ø50x400±1mm X2	3500	1050	10W	105	36°
1A9527 Iris 2M AG9302X2/4000/10W/80/A39	Ø50x400±1mm X2	4000	1070	10W	107	36°
1A9528 Iris 2M AG9302X2/2700/20W/80/A24	Ø50x400±1mm X2	2700	1720	20W	96	15°
1A9529 Iris 2M AG9302X2/3000/20W/80/A24	Ø50x400±1mm X2	3000	1800	20W	100	15°
1A9530 Iris 2M AG9302X2/3500/20W/80/A24	Ø50x400±1mm X2	3500	1860	20W	104	15°
1A9531 Iris 2M AG9302X2/4000/20W/80/A24	Ø50x400±1mm X2	4000	1890	20W	105	15°
1A9532 Iris 2M AG9302X2/2700/20W/80/A34	Ø50x400±1mm X2	2700	1720	20W	96	24°
1A9533 Iris 2M AG9302X2/3000/20W/80/A34	Ø50x400±1mm X2	3000	1800	20W	100	24°
1A9534 Iris 2M AG9302X2/3500/20W/80/A34	Ø50x400±1mm X2	3500	1860	20W	104	24°
1A9535 Iris 2M AG9302X2/4000/20W/80/A34	Ø50x400±1mm X2	4000	1890	20W	105	24°
1A9536 Iris 2M AG9302X2/2700/20W/80/A39	Ø50x400±1mm X2	2700	1720	20W	96	36°
1A9537 Iris 2M AG9302X2/3000/20W/80/A39	Ø50x400±1mm X2	3000	1800	20W	100	36°
1A9538 Iris 2M AG9302X2/3500/20W/80/A39	Ø50x400±1mm X2	3500	1860	20W	104	36°
1A9539 Iris 2M AG9302X2/4000/20W/80/A39	Ø50x400±1mm X2	4000	1890	20W	105	36°
1A9540 Iris 2M AG9302X2/2700/28W/80/A24	Ø50x400±1mm X2	2700	2340	28W	90	15°
1A9541 Iris 2M AG9302X2/3000/28W/80/A24	Ø50x400±1mm X2	3000	2460	28W	95	15°
1A9542 Iris 2M AG9302X2/3500/28W/80/A24	Ø50x400±1mm X2	3500	2530	28W	98	15°
1A9543 Iris 2M AG9302X2/4000/28W/80/A24	Ø50x400±1mm X2	4000	2580	28W	100	15°
1A9544 Iris 2M AG9302X2/2700/28W/80/A34	Ø50x400±1mm X2	2700	2340	28W	90	24°
1A9545 Iris 2M AG9302X2/3000/28W/80/A34	Ø50x400±1mm X2	3000	2460	28W	95	24°
1A9546 Iris 2M AG9302X2/3500/28W/80/A34	Ø50x400±1mm X2	3500	2530	28W	98	24°
1A9547 Iris 2M AG9302X2/4000/28W/80/A34	Ø50x400±1mm X2	4000	2580	28W	100	24°
1A9548 Iris 2M AG9302X2/2700/28W/80/A39	Ø50x400±1mm X2	2700	2340	28W	90	36°
1A9549 Iris 2M AG9302X2/3000/28W/80/A39	Ø50x400±1mm X2	3000	2460	28W	95	36°

SKU SPECIFICATIONS

Product Code	Dimensions (mm)	CCT (K)	Lumens (lm)	Power (W)	Eff. (lm/watt)	Lens Angle (°)
CRI 80						
1A9550 Iris 2M AG9302X2/3500/28W/80/A39	Ø50x400±1mm X2	3500	2530	28W	98	36°
1A9551 Iris 2M AG9302X2/4000/28W/80/A39	Ø50x400±1mm X2	4000	2580	28W	100	36°
1A9552 Iris 2L AG9303X2/2700/18W/80/A20	Ø58x300±1mm X2	2700	1030	18W	103	20°
1A9553 Iris 2L AG9303X2/3000/18W/80/A20	Ø58x300±1mm X2	3000	1080	18W	108	20°
1A9554 Iris 2L AG9303X2/3500/18W/80/A20	Ø58x300±1mm X2	3500	1110	18W	111	20°
1A9555 Iris 2L AG9303X2/4000/18W/80/A20	Ø58x300±1mm X2	4000	1130	18W	113	20°
1A9556 Iris 2L AG9303X2/2700/18W/80/A24	Ø58x300±1mm X2	2700	1030	18W	103	24°
1A9557 Iris 2L AG9303X2/3000/18W/80/A24	Ø58x300±1mm X2	3000	1080	18W	108	24°
1A9558 Iris 2L AG9303X2/3500/18W/80/A24	Ø58x300±1mm X2	3500	1110	18W	111	24°
1A9559 Iris 2L AG9303X2/4000/18W/80/A24	Ø58x300±1mm X2	4000	1130	18W	113	24°
1A9560 Iris 2L AG9303X2/2700/18W/80/A36	Ø58x300±1mm X2	2700	1030	18W	103	36°
1A9561 Iris 2L AG9303X2/3000/18W/80/A36	Ø58x300±1mm X2	3000	1080	18W	108	36°
1A9562 Iris 2L AG9303X2/3500/18W/80/A36	Ø58x300±1mm X2	3500	1110	18W	111	36°
1A9563 Iris 2L AG9303X2/4000/18W/80/A36	Ø58x300±1mm X2	4000	1130	18W	113	36°
1A9564 Iris 2L AG9303X2/2700/26W/80/A20	Ø58x300±1mm X2	2700	1900	26W	106	20°
1A9565 Iris 2L AG9303X2/3000/26W/80/A20	Ø58x300±1mm X2	3000	2000	26W	112	20°
1A9566 Iris 2L AG9303X2/3500/26W/80/A20	Ø58x300±1mm X2	3500	2050	26W	114	20°
1A9567 Iris 2L AG9303X2/4000/26W/80/A20	Ø58x300±1mm X2	4000	2100	26W	117	20°
1A9568 Iris 2L AG9303X2/2700/26W/80/A24	Ø58x300±1mm X2	2700	1900	26W	106	24°
1A9569 Iris 2L AG9303X2/3000/26W/80/A24	Ø58x300±1mm X2	3000	2000	26W	112	24°
1A9570 Iris 2L AG9303X2/3500/26W/80/A24	Ø58x300±1mm X2	3500	2050	26W	114	24°
1A9571 Iris 2L AG9303X2/4000/26W/80/A24	Ø58x300±1mm X2	4000	2100	26W	117	24°
1A9572 Iris 2L AG9303X2/2700/26W/80/A36	Ø58x300±1mm X2	2700	1900	26W	106	36°
1A9573 Iris 2L AG9303X2/3000/26W/80/A36	Ø58x300±1mm X2	3000	2000	26W	112	36°
1A9574 Iris 2L AG9303X2/3500/26W/80/A36	Ø58x300±1mm X2	3500	2050	26W	114	36°
1A9575 Iris 2L AG9303X2/4000/26W/80/A36	Ø58x300±1mm X2	4000	2100	26W	117	36°
1A9576 Iris 2L AG9303X2/2700/34W/80/A20	Ø58x300±1mm X2	2700	2560	34W	99	20°
1A9577 Iris 2L AG9303X2/3000/34W/80/A20	Ø58x300±1mm X2	3000	2690	34W	104	20°
1A9578 Iris 2L AG9303X2/3500/34W/80/A20	Ø58x300±1mm X2	3500	2770	34W	107	20°
1A9579 Iris 2L AG9303X2/4000/34W/80/A20	Ø58x300±1mm X2	4000	2830	34W	109	20°
1A9580 Iris 2L AG9303X2/2700/34W/80/A24	Ø58x300±1mm X2	2700	2560	34W	99	24°
1A9581 Iris 2L AG9303X2/3000/34W/80/A24	Ø58x300±1mm X2	3000	2690	34W	104	24°
1A9582 Iris 2L AG9303X2/3500/34W/80/A24	Ø58x300±1mm X2	3500	2770	34W	107	24°
1A9583 Iris 2L AG9303X2/4000/34W/80/A24	Ø58x300±1mm X2	4000	2830	34W	109	24°
1A9584 Iris 2L AG9303X2/2700/34W/80/A36	Ø58x300±1mm X2	2700	2560	34W	99	36°
1A9585 Iris 2L AG9303X2/3000/34W/80/A36	Ø58x300±1mm X2	3000	2690	34W	104	36°
1A9586 Iris 2L AG9303X2/3500/34W/80/A36	Ø58x300±1mm X2	3500	2770	34W	107	36°
1A9587 Iris 2L AG9303X2/4000/34W/80/A36	Ø58x300±1mm X2	4000	2830	34W	109	36°
1A9588 Iris 2S AG9301X2/AMB2200/8W/80/A28	Ø40x400±1mm X2	AMB2200	560	8W	70	20°
1A9589 Iris 2S AG9301X2/AMB2200/8W/80/A38	Ø40x400±1mm X2	AMB2200	560	8W	70	30°
1A9590 Iris 2S AG9301X2/AMB2200/18W/80/A28	Ø40x400±1mm X2	AMB2200	1220	18W	68	20°
1A9591 Iris 2S AG9301X2/AMB2200/18W/80/A38	Ø40x400±1mm X2	AMB2200	1220	18W	68	30°
1A9592 Iris 2M AG9302X2/AMB2200/10W/80/A24	Ø50x400±1mm X2	AMB2200	760	10W	76	15°
1A9593 Iris 2M AG9302X2/AMB2200/10W/80/A34	Ø50x400±1mm X2	AMB2200	760	10W	76	24°
1A9594 Iris 2M AG9302X2/AMB2200/10W/80/A39	Ø50x400±1mm X2	AMB2200	760	10W	76	36°
1A9595 Iris 2M AG9302X2/AMB2200/20W/80/A24	Ø50x400±1mm X2	AMB2200	1410	20W	71	15°
1A9596 Iris 2M AG9302X2/AMB2200/20W/80/A34	Ø50x400±1mm X2	AMB2200	1410	20W	71	24°
1A9597 Iris 2M AG9302X2/AMB2200/20W/80/A39	Ø50x400±1mm X2	AMB2200	1410	20W	71	36°
1A9598 Iris 2M AG9302X2/AMB2200/28W/80/A24	Ø50x400±1mm X2	AMB2200	1870	28W	67	15°
1A9599 Iris 2M AG9302X2/AMB2200/28W/80/A34	Ø50x400±1mm X2	AMB2200	1870	28W	67	24°

SKU SPECIFICATIONS

Product Code	Dimensions (mm)	CCT (K)	Lumens (lm)	Power (W)	Eff. (lm/watt)	Lens Angle (°)
CRI 80						
1A9600 Iris 2M AG9302X2/AMB2200/28W/80/A39	Ø50x400±1mm X2	AMB2200	1870	28W	67	36°
1A9601 Iris 2L AG9303X2/AMB2200/18W/80/A20	Ø58x300±1mm X2	AMB2200	690	18W	87	20°
1A9602 Iris 2L AG9303X2/AMB2200/18W/80/A24	Ø58x300±1mm X2	AMB2200	690	18W	87	24°
1A9603 Iris 2L AG9303X2/AMB2200/18W/80/A36	Ø58x300±1mm X2	AMB2200	690	18W	87	36°
1A9604 Iris 2L AG9303X2/AMB2200/26W/80/A20	Ø58x300±1mm X2	AMB2200	1490	26W	83	20°
1A9605 Iris 2L AG9303X2/AMB2200/26W/80/A24	Ø58x300±1mm X2	AMB2200	1490	26W	83	24°
1A9606 Iris 2L AG9303X2/AMB2200/26W/80/A36	Ø58x300±1mm X2	AMB2200	1490	26W	83	36°
1A9607 Iris 2L AG9303X2/AMB2200/36W/80/A20	Ø58x300±1mm X2	AMB2200	1990	36W	77	20°
1A9608 Iris 2L AG9303X2/AMB2200/36W/80/A24	Ø58x300±1mm X2	AMB2200	1990	36W	77	24°
1A9609 Iris 2L AG9303X2/AMB2200/36W/80/A36	Ø58x300±1mm X2	AMB2200	1990	36W	77	36°
CRI 93						
1A9610 Iris 2S AG9301X2/AGI3000/14W/93/A28	Ø40x400±1mm X2	AGI3000	750	14W	54	20°
1A9611 Iris 2S AG9301X2/AGI3500/14W/93/A28	Ø40x400±1mm X2	AGI3500	760	14W	55	20°
1A9612 Iris 2S AG9301X2/AGI4000/14W/93/A28	Ø40x400±1mm X2	AGI4000	780	14W	56	20°
1A9613 Iris 2S AG9301X2/AGI3000/14W/93/A38	Ø40x400±1mm X2	AGI3000	750	14W	54	30°
1A9614 Iris 2S AG9301X2/AGI3500/14W/93/A38	Ø40x400±1mm X2	AGI3500	760	14W	55	30°
1A9615 Iris 2S AG9301X2/AGI4000/14W/93/A38	Ø40x400±1mm X2	AGI4000	780	14W	56	30°
1A9616 Iris 2S AG9301X2/AGI3000/20W/93/A28	Ø40x400±1mm X2	AGI3000	1000	20W	50	20°
1A9617 Iris 2S AG9301X2/AGI3500/20W/93/A28	Ø40x400±1mm X2	AGI3500	1020	20W	51	20°
1A9618 Iris 2S AG9301X2/AGI4000/20W/93/A28	Ø40x400±1mm X2	AGI4000	1040	20W	52	20°
1A9619 Iris 2S AG9301X2/AGI3000/20W/93/A38	Ø40x400±1mm X2	AGI3000	1000	20W	50	30°
1A9620 Iris 2S AG9301X2/AGI3500/20W/93/A38	Ø40x400±1mm X2	AGI3500	1020	20W	51	30°
1A9621 Iris 2S AG9301X2/AGI4000/20W/93/A38	Ø40x400±1mm X2	AGI4000	1040	20W	52	30°
1A9622 Iris 2M AG9302X2/AGI3000/8W/93/A24	Ø50x400±1mm X2	AGI3000	510	8W	64	15°
1A9623 Iris 2M AG9302X2/AGI3500/8W/93/A24	Ø50x400±1mm X2	AGI3500	520	8W	65	15°
1A9624 Iris 2M AG9302X2/AGI4000/8W/93/A24	Ø50x400±1mm X2	AGI4000	530	8W	67	15°
1A9625 Iris 2M AG9302X2/AGI3000/8W/93/A34	Ø50x400±1mm X2	AGI3000	510	8W	64	24°
1A9626 Iris 2M AG9302X2/AGI3500/8W/93/A34	Ø50x400±1mm X2	AGI3500	520	8W	65	24°
1A9627 Iris 2M AG9302X2/AGI4000/8W/93/A34	Ø50x400±1mm X2	AGI4000	530	8W	67	24°
1A9628 Iris 2M AG9302X2/AGI3000/8W/93/A39	Ø50x400±1mm X2	AGI3000	510	8W	64	36°
1A9629 Iris 2M AG9302X2/AGI3500/8W/93/A39	Ø50x400±1mm X2	AGI3500	520	8W	65	36°
1A9630 Iris 2M AG9302X2/AGI4000/8W/93/A39	Ø50x400±1mm X2	AGI4000	530	8W	67	36°
1A9631 Iris 2M AG9302X2/AGI3000/14W/93/A24	Ø50x400±1mm X2	AGI3000	920	14W	66	15°
1A9632 Iris 2M AG9302X2/AGI3500/14W/93/A24	Ø50x400±1mm X2	AGI3500	940	14W	68	15°
1A9633 Iris 2M AG9302X2/AGI4000/14W/93/A24	Ø50x400±1mm X2	AGI4000	960	14W	69	15°
1A9634 Iris 2M AG9302X2/AGI3000/14W/93/A34	Ø50x400±1mm X2	AGI3000	920	14W	66	24°
1A9635 Iris 2M AG9302X2/AGI3500/14W/93/A34	Ø50x400±1mm X2	AGI3500	940	14W	68	24°
1A9636 Iris 2M AG9302X2/AGI4000/14W/93/A34	Ø50x400±1mm X2	AGI4000	960	14W	69	24°
1A9637 Iris 2M AG9302X2/AGI3000/14W/93/A39	Ø50x400±1mm X2	AGI3000	920	14W	66	36°
1A9638 Iris 2M AG9302X2/AGI3500/14W/93/A39	Ø50x400±1mm X2	AGI3500	940	14W	68	36°
1A9639 Iris 2M AG9302X2/AGI4000/14W/93/A39	Ø50x400±1mm X2	AGI4000	960	14W	69	36°
1A9640 Iris 2M AG9302X2/AGI3000/22W/93/A24	Ø50x400±1mm X2	AGI3000	1230	22W	56	15°
1A9641 Iris 2M AG9302X2/AGI3500/22W/93/A24	Ø50x400±1mm X2	AGI3500	1250	22W	57	15°
1A9642 Iris 2M AG9302X2/AGI4000/22W/93/A24	Ø50x400±1mm X2	AGI4000	1280	22W	59	15°
1A9643 Iris 2M AG9302X2/AGI3000/22W/93/A34	Ø50x400±1mm X2	AGI3000	1230	22W	56	24°
1A9644 Iris 2M AG9302X2/AGI3500/22W/93/A34	Ø50x400±1mm X2	AGI3500	1250	22W	57	24°
1A9645 Iris 2M AG9302X2/AGI4000/22W/93/A34	Ø50x400±1mm X2	AGI4000	1280	22W	59	24°
1A9646 Iris 2M AG9302X2/AGI3000/22W/93/A39	Ø50x400±1mm X2	AGI3000	1230	22W	56	36°
1A9647 Iris 2M AG9302X2/AGI3500/22W/93/A39	Ø50x400±1mm X2	AGI3500	1250	22W	57	36°

SKU SPECIFICATIONS

Product Code	Dimensions (mm)	CCT (K)	Lumens (lm)	Power (W)	Eff. (lm/watt)	Lens Angle (°)
CRI 93						
1A9648 Iris 2M AG9302X2/AGI4000/22W/93/A39	Ø50x400±1mm X2	AGI4000	1280	22W	59	36°
1A9649 Iris 2M AG9302X2/AGI3000/28W/93/A24	Ø50x400±1mm X2	AGI3000	1490	28W	54	15°
1A9650 Iris 2M AG9302X2/AGI3500/28W/93/A24	Ø50x400±1mm X2	AGI3500	1520	28W	55	15°
1A9651 Iris 2M AG9302X2/AGI4000/28W/93/A24	Ø50x400±1mm X2	AGI4000	1550	28W	56	15°
1A9652 Iris 2M AG9302X2/AGI3000/28W/93/A34	Ø50x400±1mm X2	AGI3000	1490	28W	54	24°
1A9653 Iris 2M AG9302X2/AGI3500/28W/93/A34	Ø50x400±1mm X2	AGI3500	1520	28W	55	24°
1A9654 Iris 2M AG9302X2/AGI4000/28W/93/A34	Ø50x400±1mm X2	AGI4000	1550	28W	56	24°
1A9655 Iris 2M AG9302X2/AGI3000/28W/93/A39	Ø50x400±1mm X2	AGI3000	1490	28W	54	36°
1A9656 Iris 2M AG9302X2/AGI3500/28W/93/A39	Ø50x400±1mm X2	AGI3500	1520	28W	55	36°
1A9657 Iris 2M AG9302X2/AGI4000/28W/93/A39	Ø50x400±1mm X2	AGI4000	1550	28W	56	36°
1A9658 Iris 2L AG9303X2/AGI3000/14W/93/A20	Ø58x300±1mm X2	AGI3000	970	14W	70	20°
1A9659 Iris 2L AG9303X2/AGI3500/14W/93/A20	Ø58x300±1mm X2	AGI3500	990	14W	71	20°
1A9660 Iris 2L AG9303X2/AGI4000/14W/93/A20	Ø58x300±1mm X2	AGI4000	1010	14W	73	20°
1A9661 Iris 2L AG9303X2/AGI3000/14W/93/A24	Ø58x300±1mm X2	AGI3000	970	14W	70	24°
1A9662 Iris 2L AG9303X2/AGI3500/14W/93/A24	Ø58x300±1mm X2	AGI3500	990	14W	71	24°
1A9663 Iris 2L AG9303X2/AGI4000/14W/93/A24	Ø58x300±1mm X2	AGI4000	1010	14W	73	24°
1A9664 Iris 2L AG9303X2/AGI3000/14W/93/A36	Ø58x300±1mm X2	AGI3000	970	14W	70	36°
1A9665 Iris 2L AG9303X2/AGI3500/14W/93/A36	Ø58x300±1mm X2	AGI3500	990	14W	71	36°
1A9666 Iris 2L AG9303X2/AGI4000/14W/93/A36	Ø58x300±1mm X2	AGI4000	1010	14W	73	36°
1A9667 Iris 2L AG9303X2/AGI3000/20W/93/A20	Ø58x300±1mm X2	AGI3000	1290	20W	65	20°
1A9668 Iris 2L AG9303X2/AGI3500/20W/93/A20	Ø58x300±1mm X2	AGI3500	1320	20W	66	20°
1A9669 Iris 2L AG9303X2/AGI4000/20W/93/A20	Ø58x300±1mm X2	AGI4000	1340	20W	67	20°
1A9670 Iris 2L AG9303X2/AGI3000/20W/93/A24	Ø58x300±1mm X2	AGI3000	1290	20W	65	24°
1A9671 Iris 2L AG9303X2/AGI3500/20W/93/A24	Ø58x300±1mm X2	AGI3500	1320	20W	66	24°
1A9672 Iris 2L AG9303X2/AGI4000/20W/93/A24	Ø58x300±1mm X2	AGI4000	1340	20W	67	24°
1A9673 Iris 2L AG9303X2/AGI3000/20W/93/A36	Ø58x300±1mm X2	AGI3000	1290	20W	65	36°
1A9674 Iris 2L AG9303X2/AGI3500/20W/93/A36	Ø58x300±1mm X2	AGI3500	1320	20W	66	36°
1A9675 Iris 2L AG9303X2/AGI4000/20W/93/A36	Ø58x300±1mm X2	AGI4000	1340	20W	67	36°
1A9676 Iris 2L AG9303X2/AGI3000/26W/93/A20	Ø58x300±1mm X2	AGI3000	1590	26W	62	20°
1A9677 Iris 2L AG9303X2/AGI3500/26W/93/A20	Ø58x300±1mm X2	AGI3500	1620	26W	63	20°
1A9678 Iris 2L AG9303X2/AGI4000/26W/93/A20	Ø58x300±1mm X2	AGI4000	1660	26W	64	20°
1A9679 Iris 2L AG9303X2/AGI3000/26W/93/A24	Ø58x300±1mm X2	AGI3000	1590	26W	62	24°
1A9680 Iris 2L AG9303X2/AGI3500/26W/93/A24	Ø58x300±1mm X2	AGI3500	1620	26W	63	24°
1A9681 Iris 2L AG9303X2/AGI4000/26W/93/A24	Ø58x300±1mm X2	AGI4000	1660	26W	64	24°
1A9682 Iris 2L AG9303X2/AGI3000/26W/93/A36	Ø58x300±1mm X2	AGI3000	1590	26W	62	36°
1A9683 Iris 2L AG9303X2/AGI3500/26W/93/A36	Ø58x300±1mm X2	AGI3500	1620	26W	63	36°
1A9684 Iris 2L AG9303X2/AGI4000/26W/93/A36	Ø58x300±1mm X2	AGI4000	1660	26W	64	36°
1A9685 Iris 2L AG9303X2/AGI3000/30W/93/A20	Ø58x300±1mm X2	AGI3000	1710	30W	57	20°
1A9686 Iris 2L AG9303X2/AGI3500/30W/93/A20	Ø58x300±1mm X2	AGI3500	1750	30W	59	20°
1A9687 Iris 2L AG9303X2/AGI4000/30W/93/A20	Ø58x300±1mm X2	AGI4000	1780	30W	60	20°
1A9688 Iris 2L AG9303X2/AGI3000/30W/93/A24	Ø58x300±1mm X2	AGI3000	1710	30W	57	24°
1A9689 Iris 2L AG9303X2/AGI3500/30W/93/A24	Ø58x300±1mm X2	AGI3500	1750	30W	59	24°
1A9690 Iris 2L AG9303X2/AGI4000/30W/93/A24	Ø58x300±1mm X2	AGI4000	1780	30W	60	24°
1A9691 Iris 2L AG9303X2/AGI3000/30W/93/A36	Ø58x300±1mm X2	AGI3000	1710	30W	57	36°
1A9692 Iris 2L AG9303X2/AGI3500/30W/93/A36	Ø58x300±1mm X2	AGI3500	1750	30W	59	36°
1A9693 Iris 2L AG9303X2/AGI4000/30W/93/A36	Ø58x300±1mm X2	AGI4000	1780	30W	60	36°

Technical specifications can be modified without prior notice. All information is property of Greentek Lighting.

The presentation picture is for information purposes only. Latest document update: January 13, 2022 4:47 PM. www.greentek.eu