



Baylor

HIGH-BAY LUMINAIRE | TEC SERIES

Baylor is a HID replacement lamp, designed for indoor spaces such as indoor warehouses or sports halls. Its industrial yet modern design makes it suitable also for more general lighting projects such as special meeting rooms, lobbies or large, high-ceiling spaces. Little maintenance is needed and the energy consumption is very low. Additional glass cover for reducing dust accumulation. Wide beam optic for uniform illumination, free from dark spots. Housing comes in anodised grey for a better blend with the environment.

Baylor luminaire comes in several series, with various add-on and controls:

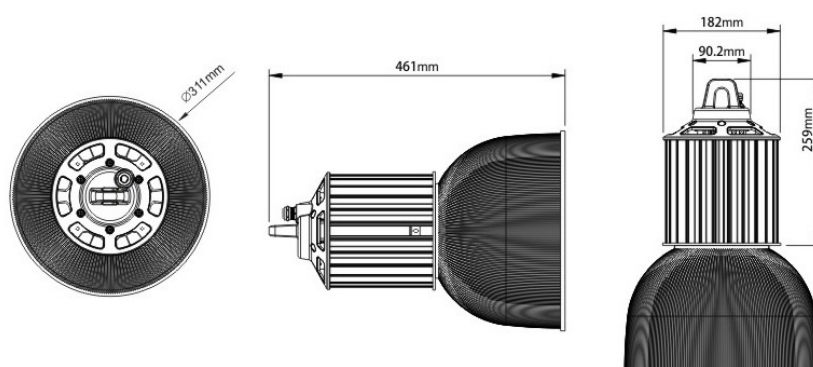
- Baylor TEC - the standard for any project in the industrial sector
- Baylor ECO-DALI - with DALI controls for dimming

FEATURES & BENEFITS

- CRI \geq 80 as standard
- 4 color temperatures: 2700K, 3000K, 3500K, 4000K
- Long rated life: L90/B10 @50.000h
- High efficiency: 113 lm/w@4000K

APPLICATION

Industrial & Logistic | Sports Halls



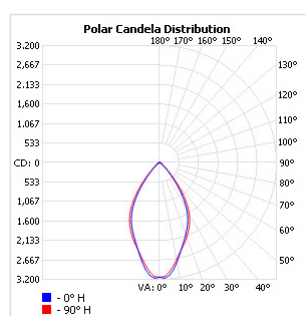
SPECIFICATIONS

| | |
|--------------------------------|--|
| Power consumption | 27W, 35W, 42W, 47W |
| Dimensions | D311 x H461 ±1mm |
| Weight | 2.7Kg - 2.8Kg |
| Housing materials | Aluminium, Polycarbonate |
| IK code | IK08 |
| THD (at 230V, 50Hz, Full load) | <20% |
| Protection class | Safety class 1 |
| Operating temperature [°C] | -20 ... +45 °C / -4F ... +113F |
| Operating humidity [%] | 10 ÷ 85 |
| Power factor | ≥0.95 |
| AC Input [Vac] | 220 - 240 VAC |
| Lens angle [°] | 70° |
| Lifespan [h] | 50,000 |
| Housing color | ● RAL 9006 - white aluminium |
| Lumen maintenance | L90/B10@50.000h at 25°C |
| IP factor | IP20 |
| Control optional | For product information please see Baylor ECO-DALI datasheet! |
| Warranty [years] | 5 |
| Storage temperature range [°C] | -20...+55°C / -4F ... +131F |
| Emergency option | - |

| | |
|-----------|-------------------------|
| Aplicații | Standard |
| CRI | CRI 80 |
| CCT [K] | 2700K/3000K/3500K/4000K |
| MacAdam | 3 |

CRI - Color rendering, CCT - Color temperature, MacAdam - Color consistency

LIGHT DISTRIBUTION



RISK GROUP**RG1**

The evaluation of photobiological safety is carried out according to the standard IEC 62471:2008 ("Photobiological safety of lamps and lamp systems"). Following the definition of the risk grouping system of the mentioned IEC standard, the LEDs mounted on this family fall into the class "Low Risk (RG1 – No photobiological hazard under normal behavioral limitations)". Under real circumstances (regarding exposure time, pupils, observation distance), it is assumed that there is no endangerment to the eye from these devices. As a matter of principle, however, it should be mentioned that intense light sources have a high secondary exposure potential due to their blinding effect.

TOLERANCES

Luminous flux tolerances: -/+ 5%

Consumption tolerance: -/+ 5% for TEC | -/+ 10% for TEC & KIT EM | -/+ 10% for ECO-DALI | -/+ 15% for ECO-DALI & KIT EM

BATTERY WARRANTY

TEC EM & ECO EM: 12 months warranty

TEC & ECO: -

MAXIMUM NO. OF LUMINAIRES ON A CIRCUIT

| Power | Driver type | Control type | Circuit Breaker Type | | | | | | |
|-------|-------------|--------------|----------------------|----|----|----|----|----|----|
| | | | Amperage | B | | | C | | |
| | | | | 20 | 16 | 10 | 20 | 16 | 10 |
| < 50W | | TEC | | 37 | 30 | 18 | 62 | 51 | 31 |
| ≥ 50W | | TEC | | 37 | 30 | 18 | 62 | 51 | 31 |
| < 80W | | ECO | | 27 | 21 | 13 | 45 | 35 | 21 |

SKU SPECIFICATIONS

| Product Code | Dimensions (mm) | CCT (K) | Lumens (lm) | Power (W) | Eff. (lm/watt) | Lens Angle (°) |
|-------------------------------------|------------------|---------|-------------|-----------|----------------|----------------|
| CRI 80 | | | | | | |
| 102000 Baylor GK60E/2700/27W/80/A70 | Ø311mmx461mm±1mm | 2700K | 2870 | 27W | 107 | 70° |
| 102001 Baylor GK60E/3000/27W/80/A70 | Ø311mmx461mm±1mm | 3000K | 2895 | 27W | 108 | 70° |
| 102002 Baylor GK60E/3500/27W/80/A70 | Ø311mmx461mm±1mm | 3500K | 2975 | 27W | 111 | 70° |
| 102003 Baylor GK60E/4000/27W/80/A70 | Ø311mmx461mm±1mm | 4000K | 3035 | 27W | 113 | 70° |
| 102005 Baylor GK60E/2700/35W/80/A70 | Ø311mmx461mm±1mm | 2700K | 3460 | 35W | 99 | 70° |
| 102006 Baylor GK60E/3000/35W/80/A70 | Ø311mmx461mm±1mm | 3000K | 3495 | 35W | 100 | 70° |
| 102007 Baylor GK60E/3500/35W/80/A70 | Ø311mmx461mm±1mm | 3500K | 3590 | 35W | 103 | 70° |
| 102008 Baylor GK60E/4000/35W/80/A70 | Ø311mmx461mm±1mm | 4000K | 3660 | 35W | 105 | 70° |
| 102010 Baylor GK60E/2700/42W/80/A70 | Ø311mmx461mm±1mm | 2700K | 3970 | 42W | 95 | 70° |
| 102011 Baylor GK60E/3000/42W/80/A70 | Ø311mmx461mm±1mm | 3000K | 4010 | 42W | 96 | 70° |
| 102012 Baylor GK60E/3500/42W/80/A70 | Ø311mmx461mm±1mm | 3500K | 4120 | 42W | 99 | 70° |
| 102013 Baylor GK60E/4000/42W/80/A70 | Ø311mmx461mm±1mm | 4000K | 4200 | 42W | 100 | 70° |
| 102015 Baylor GK60E/2700/47W/80/A70 | Ø311mmx461mm±1mm | 2700K | 4380 | 47W | 94 | 70° |
| 102016 Baylor GK60E/3000/47W/80/A70 | Ø311mmx461mm±1mm | 3000K | 4420 | 47W | 95 | 70° |
| 102017 Baylor GK60E/3500/47W/80/A70 | Ø311mmx461mm±1mm | 3500K | 4540 | 47W | 97 | 70° |
| 102018 Baylor GK60E/4000/47W/80/A70 | Ø311mmx461mm±1mm | 4000K | 4630 | 47W | 99 | 70° |