

Diamond

Recessed



6060



12030

FEATURES & BENEFITS

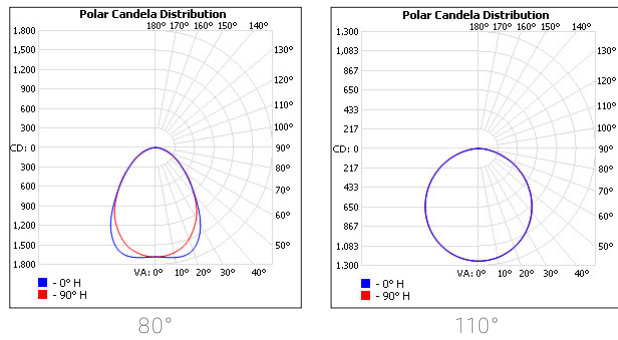
- Three temperatures: 3000K, 4000K and 6500K
- Lens angle: 80° and 110°
- Color rendering index: 80
- Efficiency @4000K: 97 lm/W
- UGR factor: 19, 21

APPLICATIONS

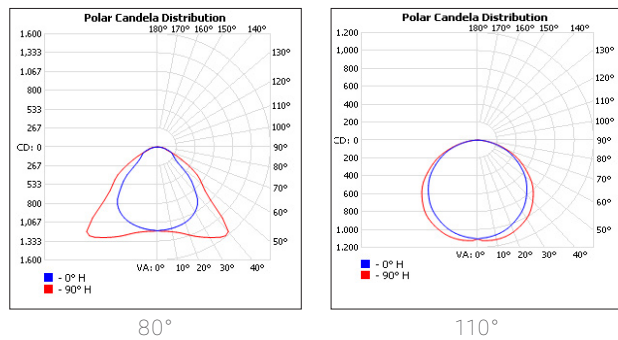
Grocery & Supermarkets | Retail | Office | Healthcare | Hospitality | DIY

LIGHT DISTRIBUTION

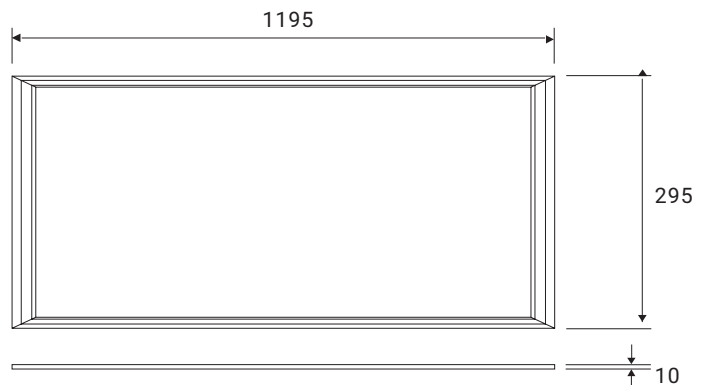
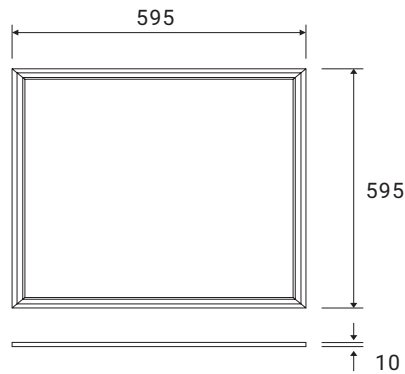
6060



12030



TECHNICAL DRAW



SPECIFICATIONS

Power	36W	
Dimensions	595 x 595 x 10 ± 1mm	1195 x 295 x 10 mm ± 1mm
Color Rendering	CRI80	
Housing materials	Aluminium, polycarbonate	
IK Code	IK02	
Protection Class	Safety class 2	
Operating temperature (°C)	-10C...+40C/+14F...+104F	
AC Input	220-240 Vac	
Color temperature	3000K, 4000K, 6500K	
Lens angle (°)	80°, 110°	
Lifespan (h)	30000	
Housing color	White	
Color consistency	MacAdam 4	
IP Rating	IP20	
Control option	-	
Warranty (years)	3 years	
Efficiency @4000K	97 lm/W	
Risk group	RG0 The evaluation of photobiological safety is carried out according to the standard IEC 62471:2008 ("Photobiological safety of lamps and lamp systems"). Following the definition of the risk grouping system of the mentioned IEC standard, the LEDs mounted on this family fall into the class "No Risk (RG0 –No photobiological hazard)". Under real circumstances (regarding exposure time, pupils, observation distance, it is assumed that there is no endangerment to the eye from these devices. As a matter of principle, however, it should be mentioned that intense light sources have a high secondary exposure potential due to their blinding effect.	

MAXIMUM NO. OF LUMINAIRES ON A CIRCUIT

Luminaire Power(W)	Control type	Circuit Breaker Type					
		B			C		
		20	16	10	20	16	10
< 50W	Non-DALI	37	30	18	62	51	31
≥ 50W	Non-DALI	37	30	18	62	51	31
< 80W	DALI	27	21	13	45	35	21

SKU SPECIFICATIONS

Article Number	Dimensions (mm)	CCT (K)	Lumens (lm)	Power (W)	Efficiency (lm/watt)	Lens angle (degrees)	Weight (kg)
179010 Diamond 6060/3000/36W/80/A110	595 x 595 x 10 ± 1mm	3000	3300	36W	92	110°	1.8Kg
179011 Diamond 6060/4000/36W/80/A110	595 x 595 x 10 ± 1mm	4000	3500	36W	97	110°	1.8Kg
179012 Diamond 6060/6500/36W/80/A110	595 x 595 x 10 ± 1mm	6500	3500	36W	97	110°	1.8Kg
179013 Diamond 6060/3000/36W/80/A80	595 x 595 x 10 ± 1mm	3000	3300	36W	92	80°	1.8Kg
179014 Diamond 6060/4000/36W/80/A80	595 x 595 x 10 ± 1mm	4000	3500	36W	97	80°	1.8Kg
179015 Diamond 6060/6500/36W/80/A80	595 x 595 x 10 ± 1mm	6500	3400	36W	94	80°	1.8Kg
179016 Diamond 12030/3000/36W/80/A110	1195 x 295 x 10 mm±1mm	3000	3300	36W	92	110°	2Kg
179017 Diamond 12030/4000/36W/80/A110	1195 x 295 x 10 mm±1mm	4000	3400	36W	94	110°	2Kg
179018 Diamond 12030/6500/36W/80/A110	1195 x 295 x 10 mm±1mm	6500	3400	36W	94	110°	2Kg
179019 Diamond 12030/3000/36W/80/A80	1195 x 295 x 10 mm±1mm	3000	3300	36W	92	80°	2Kg
179020 Diamond 12030/4000/36W/80/A80	1195 x 295 x 10 mm±1mm	4000	3400	36W	94	80°	2Kg
179021 Diamond 12030/6500/36W/80/A80	1195 x 295 x 10 mm±1mm	6500	3400	36W	94	80°	2Kg